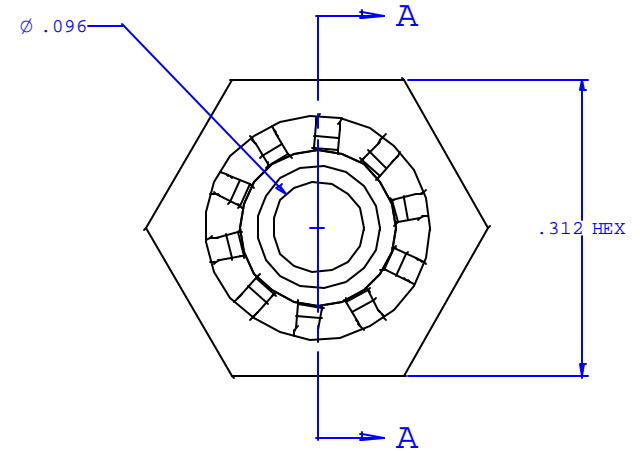
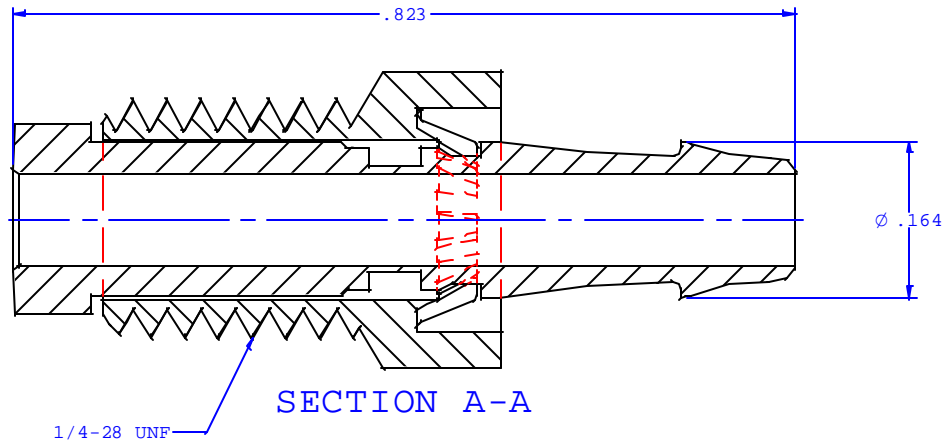


REVISIONS			
REV	DESCRIPTION	DATE	APPROVED



Item Number	Part Number	Rev.	Description	Quantity
1*	BSUB013	A	ROTATING UNIFORM BORE TO #013 BARB	1
2*	RS		ROTATING 1/4-28 UNF THREAD	1

UNLESS OTHERWISE SPECIFIED DIMENSIONS ARE IN INCHES TOLERANCES ARE:		<b>VALUE PLASTICS, INC.</b>	
FRACTIONS ±	DECIMALS ±	ANGULAR ±	PART NUMBER: <b>ABR013</b>
.XX ±.01	.XXX ±.005	±1°	DESCRIPTION: 1/4-28 UNF BOTTOM SEALING ROTATING THREAD WITH 5/16" HEX TO 500 SERIES BARB, 1/8"(3MM) ID TUBING
DO NOT SCALE DRAWING			REV.
DRAWN BY: <b>BRUCE WILLIAMS</b>	SCALE: <b>NTS</b>	DRAWING NUMBER:	
DATE: <b>06/12/01</b>		© 1999 VALUE PLASTICS, INC.	SHEET:

**FOR REFERENCE ONLY**