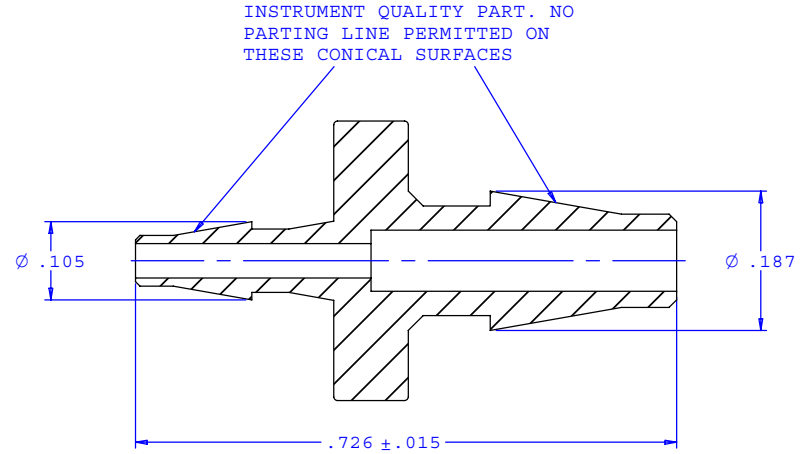
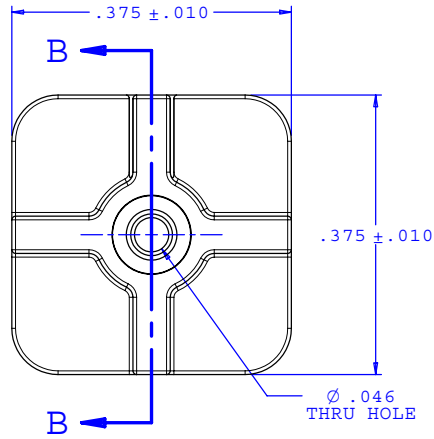
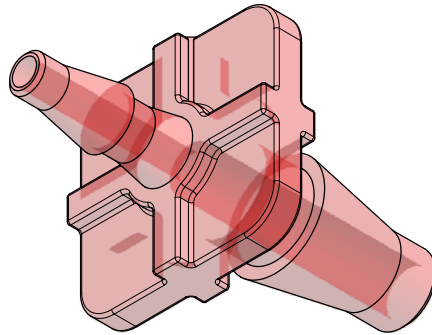


NOTE: FOR MORE DETAILS SEE YOUR V.P.CUSTOMER SERVICE REP.

REVISIONS			
REV.	DESCRIPTION	DATE	APPROVED
A	ECO #0006	07-09-99	
B	CO 012, Core center rib.	02-07-05	RICK C.



SECTION B-B



UNLESS OTHERWISE SPECIFIED DIMENSIONS ARE IN INCHES TOLERANCES ARE:		VALUE PLASTICS, INC.	
FRACTIONS ±	DECIMALS .XX ±.01 .XXX ±.005 .XXXX ±.001	ANGULAR ±1°	PART NUMBER: AC
DO NOT SCALE DRAWING		DESCRIPTION: Straight Through Reduction Connector with Classic Series Barbs, 1/8" (3 mm) and 1/16" (1.5 mm) ID Tubing	
DRAWN BY: Bob Bliven	DATE: 02-07-05	SIZE: B	SCALE: NTS
ENGINEER/DESIGNER: Rick Cairns	DATE: 02-07-05	DRAWING NUMBER: 1005631	REV. B
© 2004 VALUE PLASTICS, INC.		SHEET: 1 of 1	

FOR REFERENCE ONLY