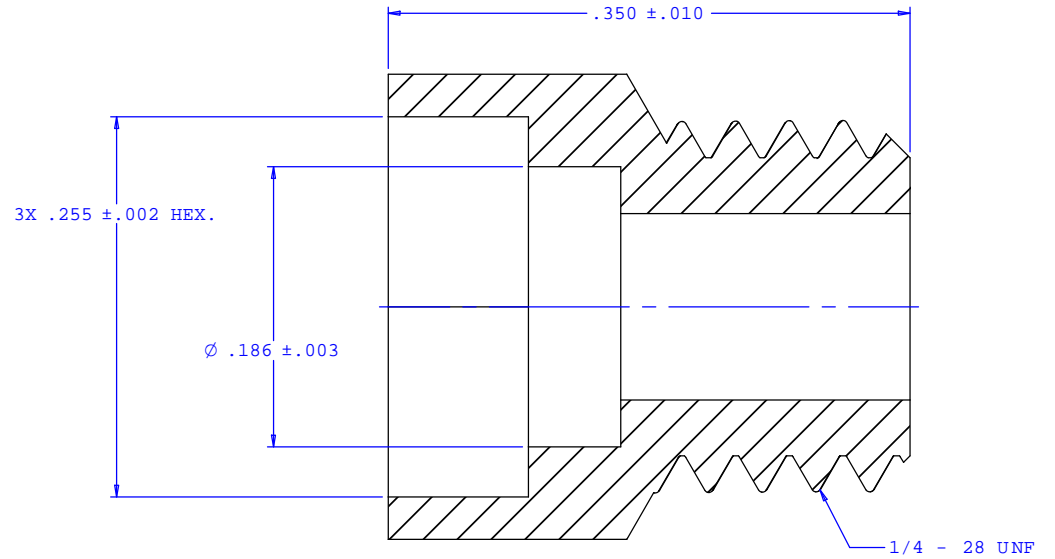
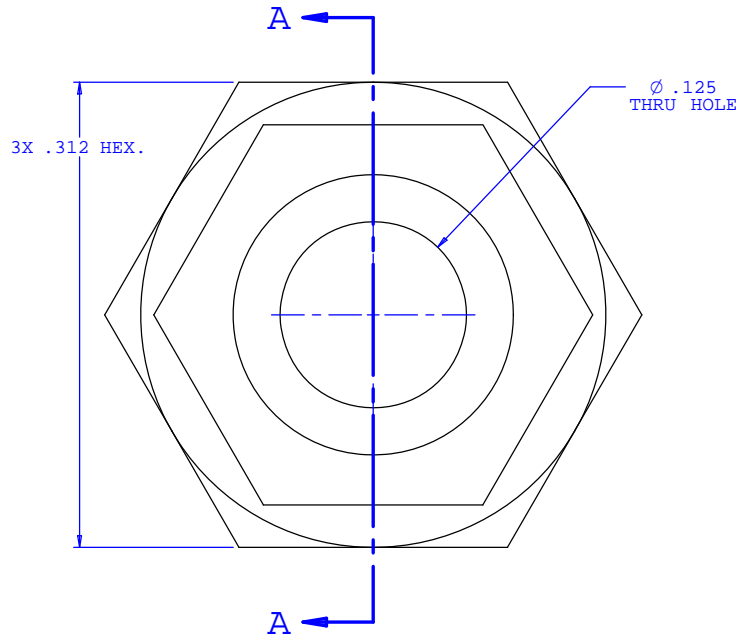
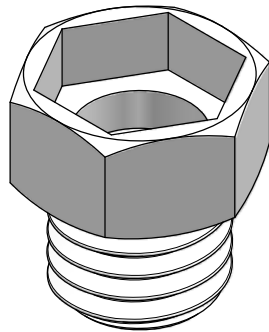


NOTE: FOR MORE DETAILS SEE YOUR V.P. CUSTOMER SERVICE REP.

REVISIONS			
REV.	DESCRIPTION	DATE	APPROVED
A	INITIAL RELEASE	08-18-98	
B	CO 046 Drafting Update	11-30-07	Rick C.



SECTION A-A



UNLESS OTHERWISE SPECIFIED DIMENSIONS ARE IN INCHES TOLERANCES ARE:		<b>VALUE PLASTICS, INC.</b>	
FRACTIONS ±	DECIMALS .XX ±.01 .XXX ±.005 .XXXX ±.001	ANGULAR ±1°	PART NUMBER: <b>BDFS</b>
DO NOT SCALE DRAWING		DESCRIPTION: Bondable 1/4-28 UNF Thread with 5/16" Hex	
DRAWN BY: <b>Frank Lombardi</b>	DATE: <b>05-02-06</b>	SIZE: <b>B</b> SCALE: <b>NTS</b>	DRAWING NUMBER: <b>1008719</b>
Engineer / Manager: <b>Rick Cairns</b>		© 2006 VALUE PLASTICS, INC.	REV. <b>B</b> SHEET: 1 OF 1

**FOR REFERENCE ONLY**