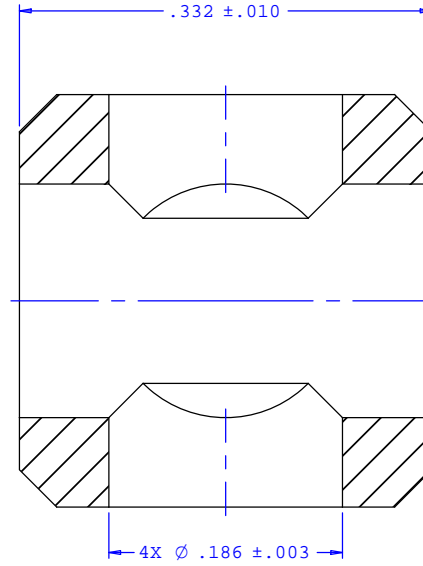
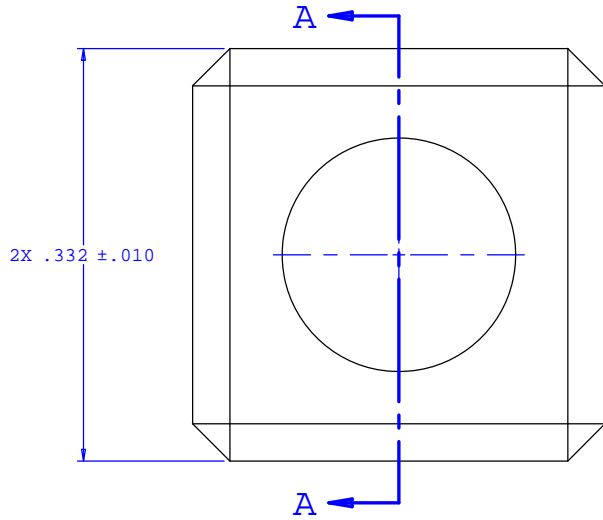
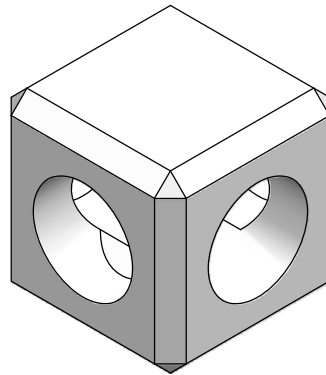


NOTE: FOR MORE DETAILS SEE YOUR V.P. CUSTOMER SERVICE REP.

REVISIONS			
REV.	DESCRIPTION	DATE	APPROVED
A	INITIAL RELEASE	09-11-97	
B	CO 046 Drafting Update		



SECTION A-A



UNLESS OTHERWISE SPECIFIED DIMENSIONS ARE IN INCHES TOLERANCES ARE:		VALUE PLASTICS, INC.	
FRACTIONS	DECIMALS	ANGULAR	PART NUMBER: BDJ04
±	.XX ±.01	±1°	DESCRIPTION: Bondable Junction Block
	.XXX ±.005		SIZE: B SCALE: NTS DRAWING NUMBER: 1008723
	.XXXX ±.001		REV. B
DO NOT SCALE DRAWING		© 2006 VALUE PLASTICS, INC. SHEET: 1 OF 1	
DRAWN BY: Frank Lombardi	DATE: 05-02-06		
Engineer/Manager:	Rick Cairns		

FOR REFERENCE ONLY