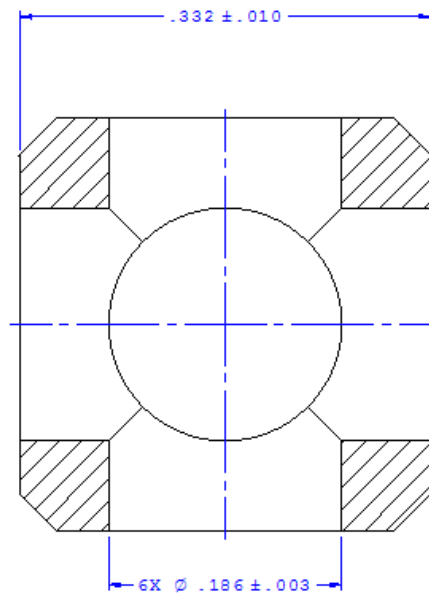
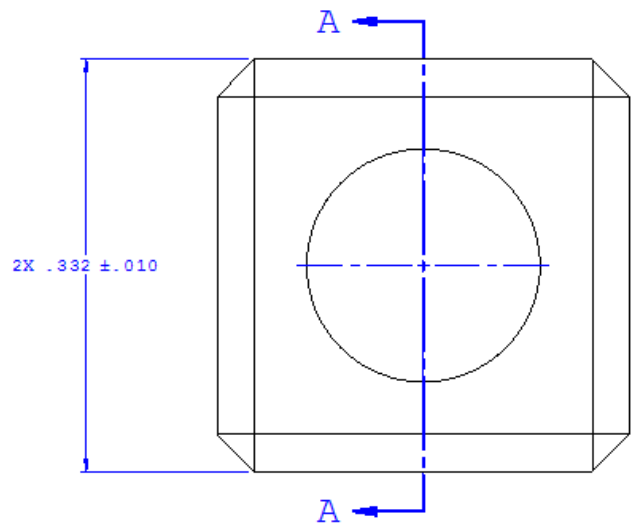
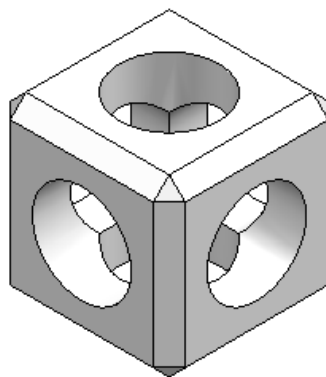


NOTE: FOR MORE DETAILS SEE YOUR V.P. CUSTOMER SERVICE REP.

REVISIONS			
REV.	DESCRIPTION	DATE	APPROVED
A	INITIAL RELEASE	09-12-97	
B	CO 046 Drafting Update	11-05-07	Rick C.



SECTION A-A



VALUE PLASTICS, INC. DIMENSIONS AND TOLERANCES ARE IN INCHES UNLESS OTHERWISE SPECIFIED		<b>VALUE PLASTICS, INC.</b>	
FRACTIONS    DECIMALS    ANGULAR 1/2            .50            30° .005           .005           1/2° .001           .001           1/4°		PART NUMBER: <b>BDJ08</b>	
DO NOT SCALE DRAWING		DESCRIPTION: <b>Bondable Junction Block</b>	
DRAWN BY: <b>Frank Lombardi</b>	DATE: <b>05-02-06</b>	SIZE: <b>B</b> SCALE: <b>NTS</b>	DRAWING NUMBER: <b>1008730</b>
EQUIPMENT MANAGER: <b>Rick Cairns</b>		SHEET: <b>1 OF 1</b>	REV. <b>B</b>
		© 2006 VALUE PLASTICS, INC.	

**FOR REFERENCE ONLY**