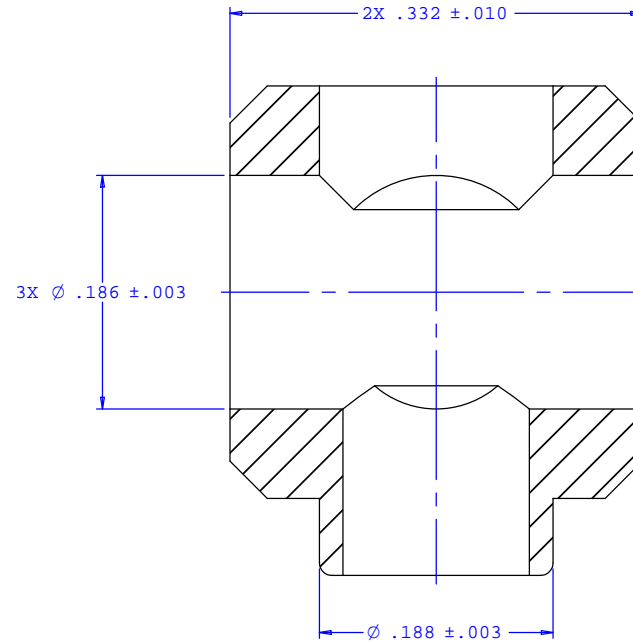
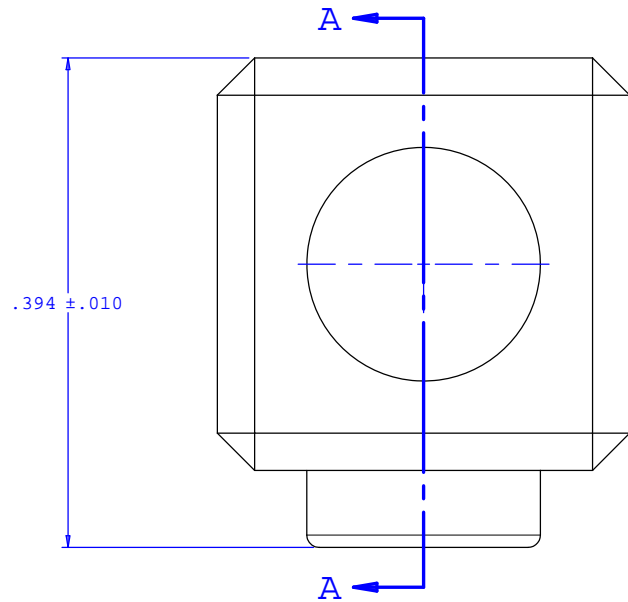
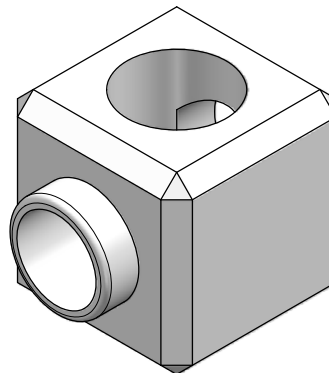


NOTE: FOR MORE DETAILS SEE YOUR V.P.CUSTOMER SERVICE REP.

| REVISIONS | | | |
|-----------|----------------------------|----------|----------|
| REV. | DESCRIPTION | DATE | APPROVED |
| A | INITIAL RELEASE | 09-15-97 | |
| B | CO 046 Drafting Update | 09-27-07 | Rick C. |
| C | Changed Post Specification | 12-10-07 | Rick C. |



SECTION A-A



| | | | |
|---|---|--|------------------------------|
| UNLESS OTHERWISE SPECIFIED DIMENSIONS ARE IN INCHES TOLERANCES ARE: | | VALUE PLASTICS, INC. | |
| FRACTIONS ± | DECIMALS .XX ±.01 .XXX ±.005 .XXXX ±.001 | ANGULAR ±1° | PART NUMBER: BDJ11 |
| DO NOT SCALE DRAWING | | DESCRIPTION: Bondable Junction Block | |
| DRAWN BY: Frank Lombardi | DATE: 05-02-06 | SIZE: B | SCALE: NTS |
| Engineer/Manager: Rick Cairns | | DRAWING NUMBER: 1008733 | REV. C |
| © 2006 VALUE PLASTICS, INC. | | | SHEET: 1 OF 1 |

FOR REFERENCE ONLY