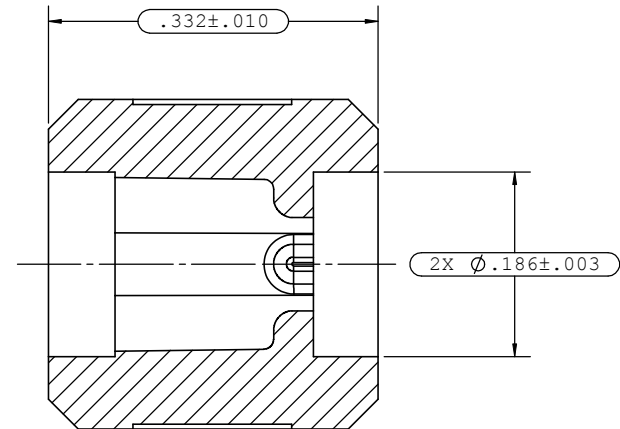
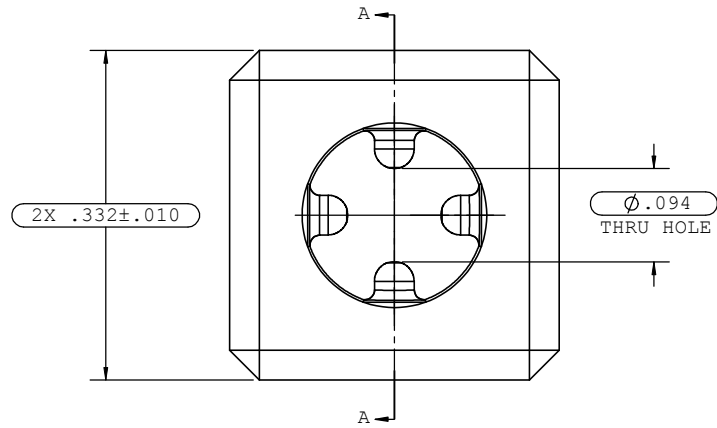
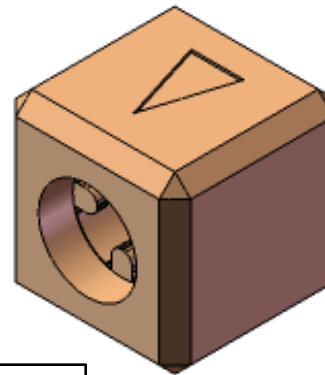


NOTES: FOR MORE DETAILED DRAWING SEE V.P.TOOLING STANDARDS
 DIMENSIONS MARKED ARE CONTROL DIMENSIONS

REVISIONS			
REV.	DESCRIPTION	DATE	APPROVED
A	INITIAL RELEASE	09-15-97	
B	CO 046 Drafting Update	09-27-07	Rick C.
C	Changed Description to match Sales Part	02-14-08	Rick C.



SECTION A-A

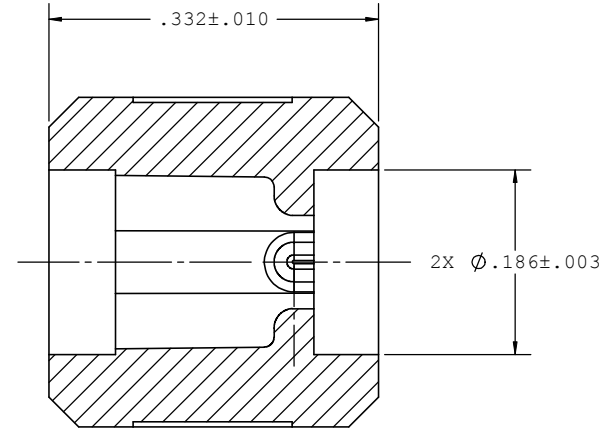
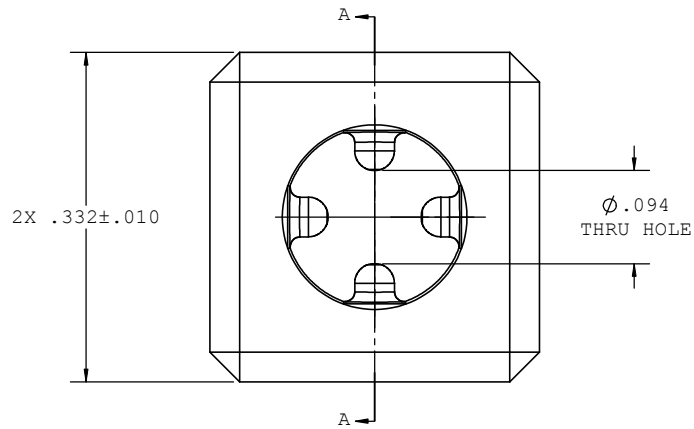


Dimension	Material Specific Tolerances							
	Acetal	Nylon	PP	ABS	PC	PVC	Polysulfone	PVDF
A								
B								
C								
D								
E								
F								

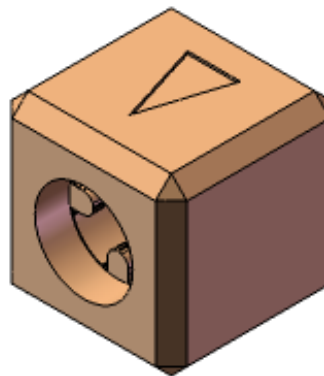
UNLESS OTHERWISE SPECIFIED DIMENSIONS ARE IN INCHES TOLERANCES ARE:		VALUE PLASTICS, INC			
FRACTIONS ±	DECIMAL .XX ±.01 .XXX ±.005 .XXXX ±.001	ANGULAR ± 1°	PART NUMBER: BDJ15		
DO NOT SCALE DRAWING			DESCRIPTION: Bondable Check Valve Junction Block (For use with RB01 or SB01)		
DRAWN BY: randy.sakurada	DATE: 3/26/2008	SIZE: B	SCALE: NTS	VER: 1008739	REV: C
ENGINEERING MANAGER: R. CAIRNS		© 2008 VALUE PLASTICS, INC			SHEET: 1 OF 1

NOTES: FOR MORE DETAILS SEE YOUR V.P. SERVICE REP.

REVISIONS			
REV.	DESCRIPTION	DATE	APPROVED
A	INITIAL RELEASE	09-15-97	
B	CO 046 Drafting Update	09-27-07	Rick C.
C	Changed Description to match Sales Part	02-14-08	Rick C.



SECTION A-A



UNLESS OTHERWISE SPECIFIED DIMENSIONS ARE IN INCHES TOLERANCES ARE:		VALUE PLASTICS, INC			
FRACTIONS DECIMAL ANGULAR ± .XX ±.01 ± 1° .XXX ±.005 .XXXX ±.001		PART NUMBER: BDJ15			
DO NOT SCALE DRAWING		DESCRIPTION: Bondable Check Valve Junction Block (For use with RB01 or SB01)			
DRAWN BY: randy.sakurada	DATE: 3/26/2008	SIZE: B	SCALE: NTS	VER: C	DWG. NO. 1008739
ENGINEERING MANAGER: R. CAIRNS		© 2008 VALUE PLASTICS, INC			SHEET: 1 OF 1

FOR REFERENCE ONLY