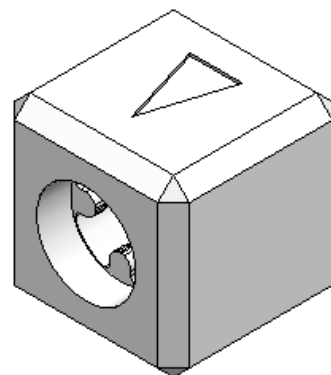
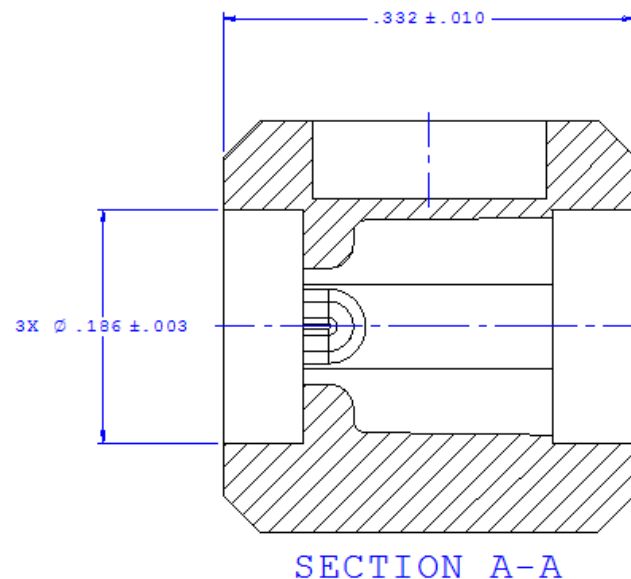
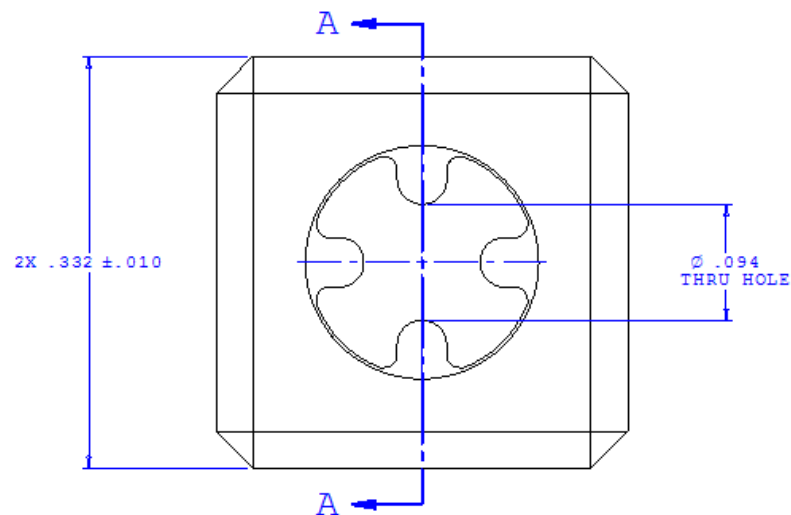


NOTE: FOR MORE DETAILS SEE YOUR V.P. CUSTOMER SERVICE REP.

REVISIONS			
REV.	DESCRIPTION	DATE	APPROVED
A	INITIAL RELEASE	09-30-97	
B	CO 046 Drafting Update	09-27-07	Rick C.



UNLESS OTHERWISE SPECIFIED DIMENSIONS ARE IN INCHES TOLERANCES ARE:		VALUE PLASTICS, INC.	
FRACTIONS DECIMALS ANGULAR ° ' "	.XX 0.01 .XXX 0.005 .XXXX 0.001	PART NUMBER: BDJ16	
DO NOT SCALE DRAWING		DESCRIPTION: Bondable Check Valve Junction Block (For use with RB01 or SB01)	
DRAWN BY: Frank Lombardi	DATE: 05-04-06	SIZE: SCALE: B NTS	DRAWING NUMBER: 1008740
ENGINEER/MANAGER: Rick Cairns		© 2006 VALUE PLASTICS, INC.	REV. SHEET: B 1 OF 1

FOR REFERENCE ONLY