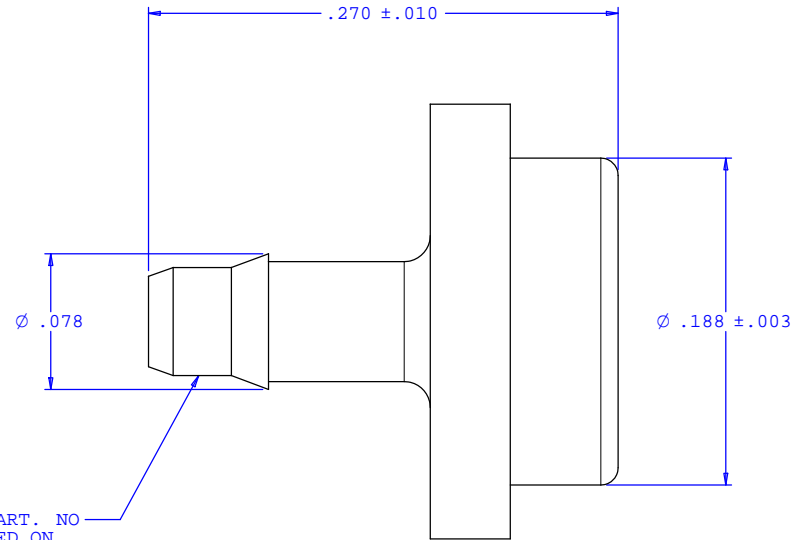
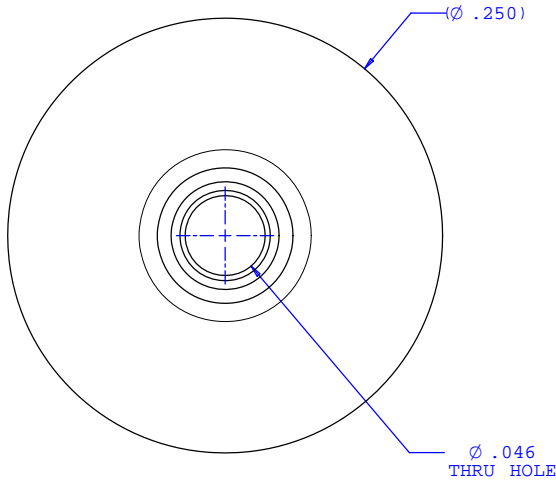
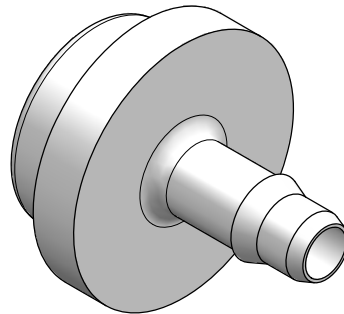


NOTE: FOR MORE DETAILS SEE YOUR V.P.CUSTOMER SERVICE REP.

REVISIONS			
REV.	DESCRIPTION	DATE	APPROVED
A	INITIAL RELEASE	11-19-97	
B	CO 046 Drafting Update	11-29-07	Rick C.



INSTRUMENT QUALITY PART. NO PARTING LINE PERMITTED ON THIS CONICAL SURFACE



UNLESS OTHERWISE SPECIFIED DIMENSIONS ARE IN INCHES TOLERANCES ARE:		VALUE PLASTICS, INC.	
FRACTIONS ±	DECIMALS .XX ±.01 .XXX ±.005 .XXXX ±.001	ANGULAR ±1°	PART NUMBER: BDMR410
DO NOT SCALE DRAWING		DESCRIPTION: Bondable 400 Series Barb, 1/16" (1.5 mm) ID Tubing	
DRAWN BY: Frank Lombardi	DATE: 05-05-06	SIZE: B	SCALE: NTS
Engineer/Manager: Rick Cairns	DRAWING NUMBER: 1008775	REV. B	SHEET: 1 OF 1
		© 2006 VALUE PLASTICS, INC.	

FOR REFERENCE ONLY