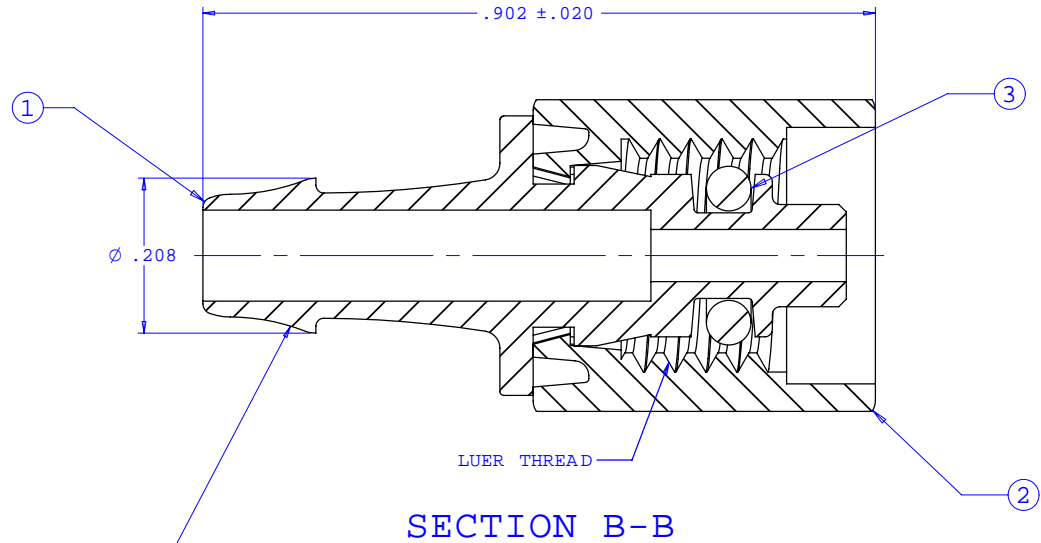
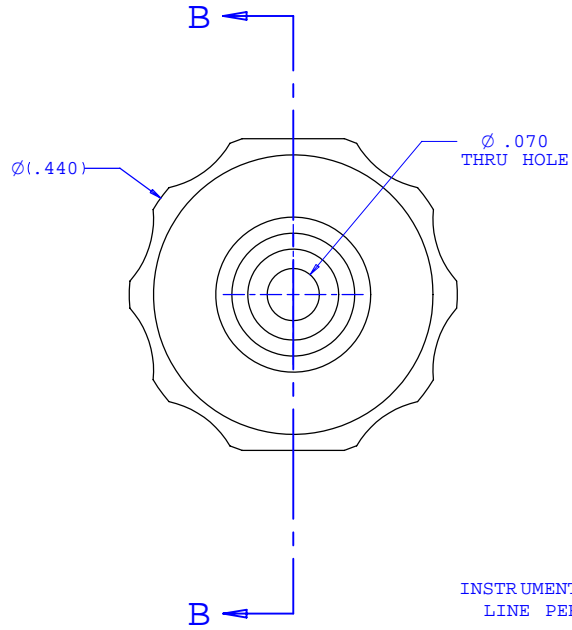


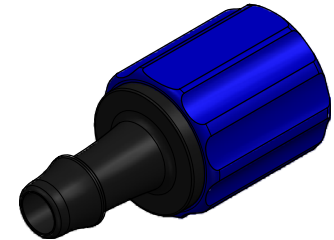
NOTE: FOR MORE DETAILS SEE YOUR V.P.CUSTOMER SERVICE REP.

REVISIONS			
REV.	DESCRIPTION	DATE	APPROVED
A	INITIAL RELEASE	07-27-00	
B	CO 018 Drafting Update	07-11-05	Rick C.



INSTRUMENT QUALITY PART. NO PARTING LINE PERMITTED ON THIS SURFACE.

SECTION B-B



Item Number	Part Number	Rev.	Description	Quantity
1	BPI025	A	Blood Pres sure Internal to #025 Barb	1
2	BPN		Blood Pres sure Locking Nut	1
3	5W2-0021		Blood Pres sure O-Ring for BPA Fittings	1

UNLESS OTHERWISE SPECIFIED DIMENSIONS ARE IN INCHES TOLERANCES ARE:		<b>VALUE PLASTICS, INC.</b>	
FRACTIONS ±	DECIMALS ±	ANGULAR ±1°	PART NUMBER: <b>BPA025</b>
.XX ±.01	.XXX ±.005		DESCRIPTION: Blood Pressure Adapter with Internal 5/16-24 UNF Thread and O-Ring to 500 Series Barb, 5/32" (4 mm) ID Tubing
.XXXX ±.001			
DO NOT SCALE DRAWING			
DRAWN BY: <b>Frank Lombardi</b>	DATE: <b>06-03-05</b>	SIZE: <b>B</b>	SCALE: <b>NTS</b>
Engineer/Manager: <b>Rick Cairns</b>		DRAWING NUMBER: <b>1006855</b>	REV. <b>B</b>
© 2005 VALUE PLASTICS, INC.			SHEET: 1 OF 1

**FOR REFERENCE ONLY**