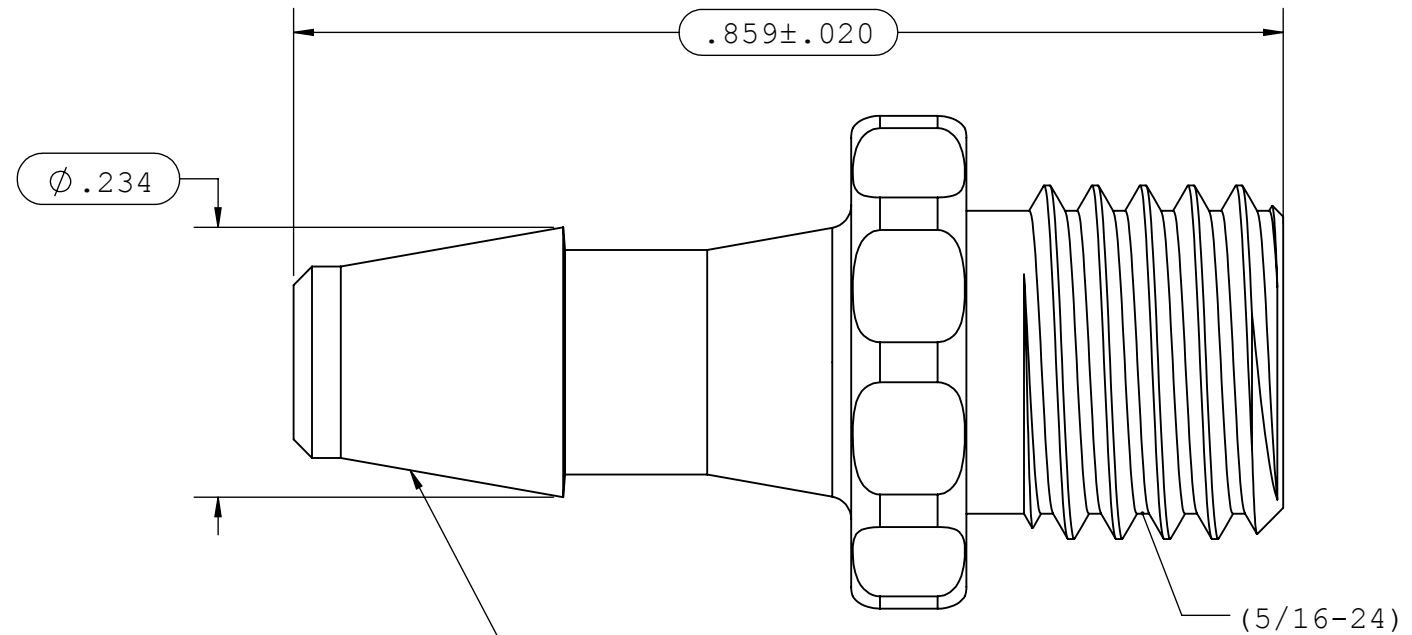
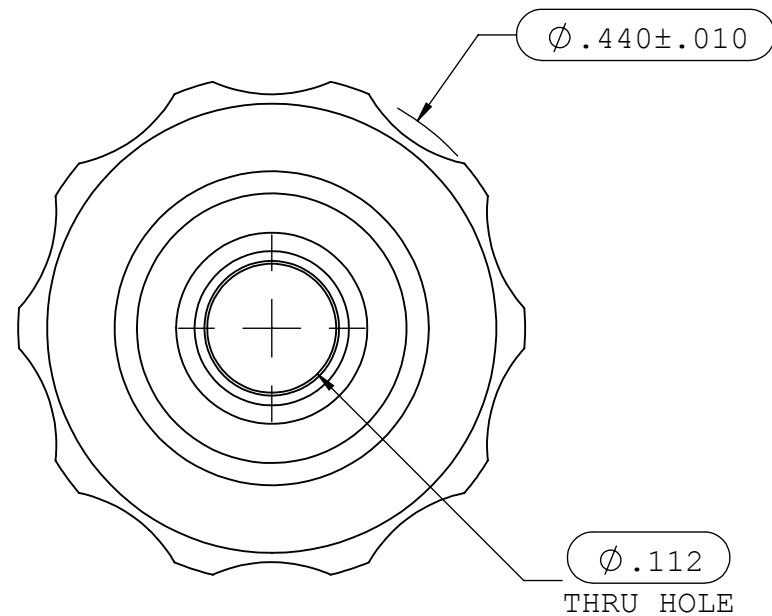
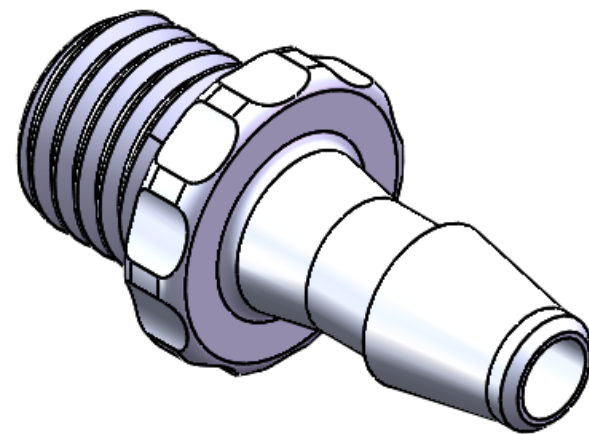


NOTES: 1. FOR ADDITIONAL DETAILS, PLEASE CONTACT VP CUSTOMER SERVICE
 2. DIMENSIONS MARKED ϕ ARE CONTROL DIMENSIONS
 3. VERIFY THREAD USING 5-16"-24 UNF-2A PD .2843 GO THREAD GAGE

REVISIONS			
REV.	DESCRIPTION	DATE	APPROVED
A	INITIAL RELEASE	12-27-96	
B	CO 018 Drafting Update	07-11-05	Rick C.
C	ECO 319	10-22-15	H.L
D	ECO 334	04-13-16	H.L



INSTRUMENT QUALITY PART. NO PARTING LINE PERMITTED ON THIS CONICAL SURFACE



UNLESS OTHERWISE SPECIFIED DIMENSIONS ARE IN INCHES TOLERANCES ARE: FRACTIONS DECIMAL ANGULAR \pm .XX \pm .01 \pm 1° \pm .XXX \pm .005 \pm .XXXX \pm .001 DO NOT SCALE DRAWING		VALUE PLASTICS, INC			
DRAWN BY: Frank.Lombardi		DATE: 6/28/2016		PART NUMBER: BPC240	
MANAGER: Huadong Lou		SIZE: B	SCALE: NTS	VER: 	DESCRIPTION: Blood Pressure Adapter with 5/16-24 UNF Thread to 200 Series Barb, 5/32" (4mm) ID Tubing
			DWG. NO. 1006859	REV D	SHEET: 1 OF 1
© 2011 VALUE PLASTICS, INC					

FOR REFERENCE ONLY