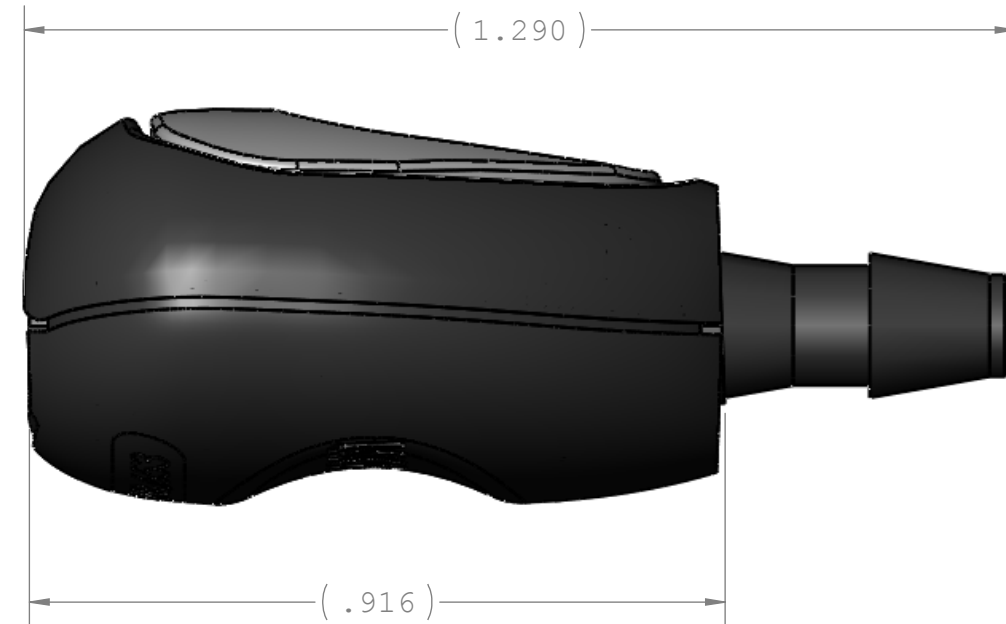
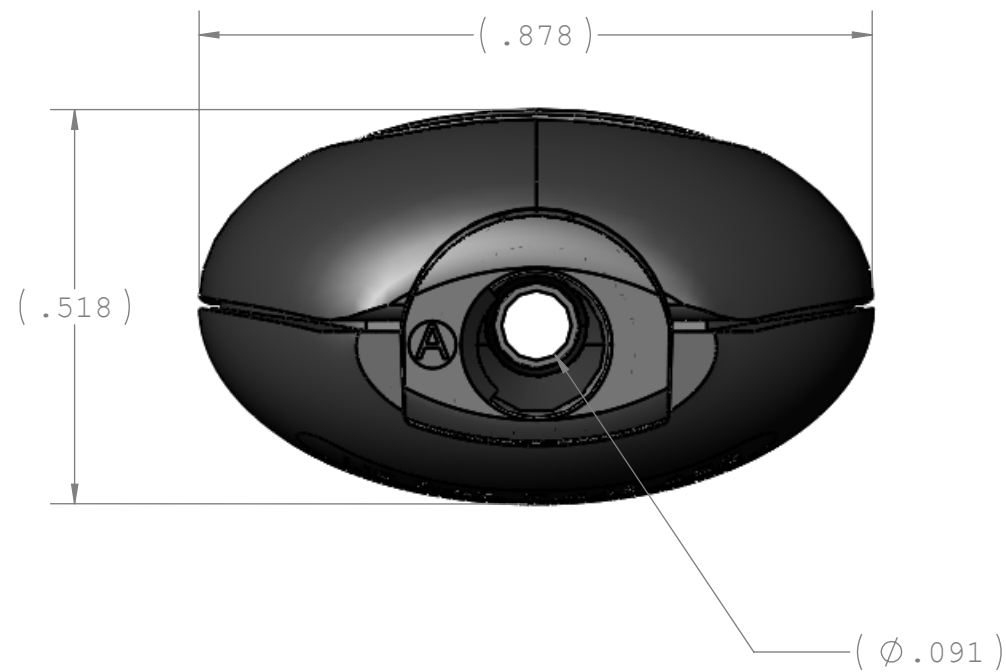


NOTES: FOR MORE DETAILS SEE YOUR V.P. SERVICE REP.

REVISIONS			
REV.	DESCRIPTION	DATE	APPROVED
A	INITIAL RELEASE	04-14-06	RICK C.
B	CO 055 ADDED SKIRT TO BUTTON	02-09-07	RICK C.
C	REDRAWN IN SOLIDWORKS; ECO 092 CHANGES INCORPORATED	12-11-08	S.N.R
D	UPDATED ASSEMBLY COMPONENTS AND MATES PER ECO 107	03-13-09	S.N.R
E	CHANGE ALL DIMENSIONS TO REFERENCE PER ECO 136	06-16-09	S.N.R



UNLESS OTHERWISE SPECIFIED DIMENSIONS ARE IN INCHES TOLERANCES ARE:		VALUE PLASTICS, INC			
FRACTIONS DECIMAL ANGULAR ± .XX ±.01 ± 1° .XXX ±.005 .XXXX ±.001		PART NUMBER: BPF230			
DO NOT SCALE DRAWING		DESCRIPTION: Bayonet-Style Female Quick Connect Fitting, 200 Series Barb, 1/8" (3.2 mm) ID Tubing			
DRAWN BY: Toby Whitaker	DATE: 6/16/2009	SIZE: B	SCALE: NTS	VER: 	DWG. NO. 1008633
NEW PRODUCT DEVELOPMENT MGR: R. Narayanan		© 2008 VALUE PLASTICS, INC			REV E
				SHEET: 1 OF 1	

FOR REFERENCE ONLY