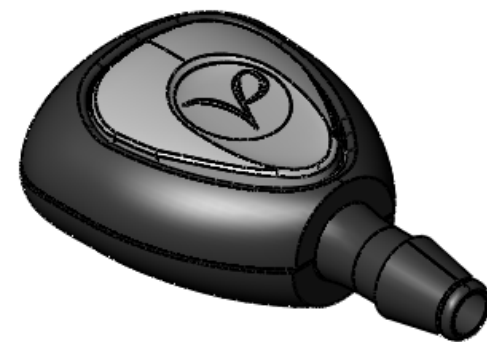
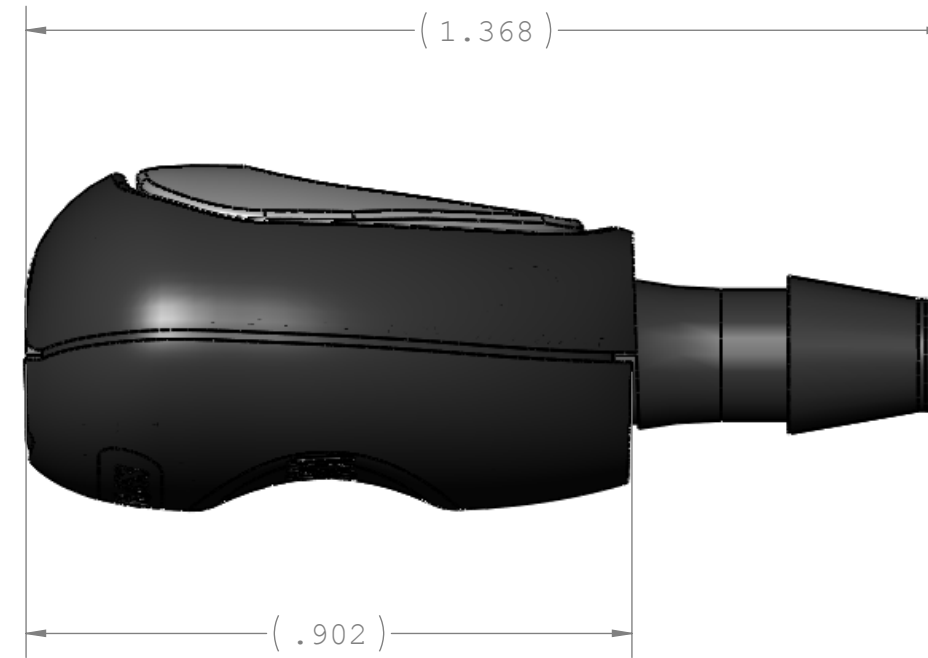
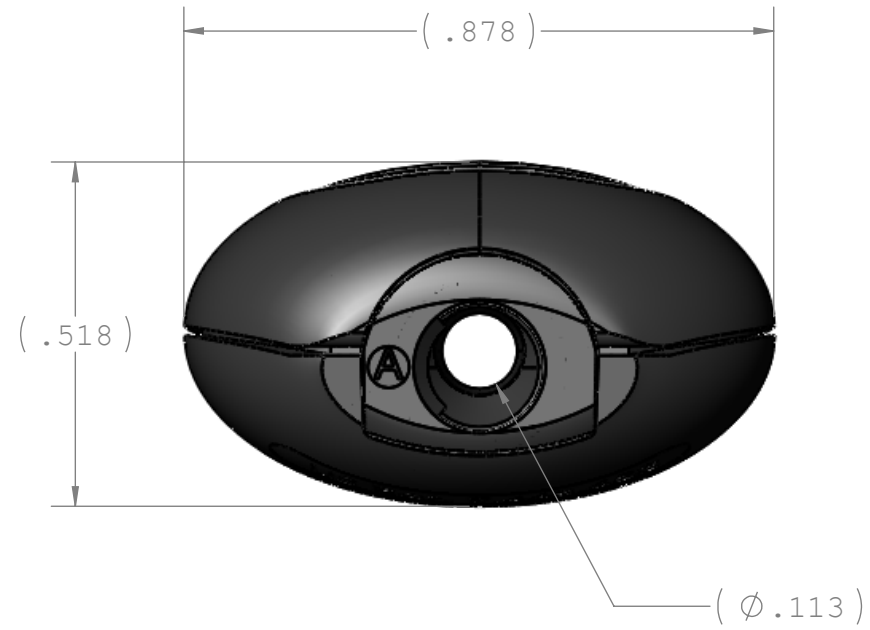


NOTES: FOR MORE DETAILS SEE YOUR V.P. SERVICE REP.

| REVISIONS |   |          |          |
|-----------|---|----------|----------|
| REV.      | DESCRIPTION   | DATE     | APPROVED |
| A         | INITIAL RELEASE                                     | 06-02-05 | RICK C.  |
| B         | CO 040 ADDED "Pat. Pending"                         | 01-24-06 | RICK C.  |
| C         | CO 055 ADDED SKIRT TO BUTTON                        | 12-15-06 | RICK C.  |
| D         | REDRAWN IN SOLIDWORKS; ECO 092 CHANGES INCORPORATED | 12-09-08 | S.N.R    |
| E         | UPDATED ASSEMBLY COMPONENTS AND MATES PER ECO 107   | 03-13-09 | S.N.R    |
| F         | CHANGE ALL DIMENSIONS TO REFERENCE PER ECO 136      | 06-16-09 | S.N.R    |



|   |                    |  |               |          |                                 |
|---|--------------------|--|---------------|----------|---------------------------------|
| UNLESS OTHERWISE SPECIFIED DIMENSIONS ARE IN INCHES TOLERANCES ARE:                                   |                    | <b>VALUE PLASTICS, INC</b>   |               |          |                                 |
| FRACTIONS    DECIMAL    ANGULAR<br>±            .XX ±.01            ± 1°<br>.XXX ±.005<br>.XXXX ±.001 |                    | PART NUMBER: BPF240  |               |          |                                 |
| DO NOT SCALE DRAWING  |                    | DESCRIPTION: Bayonet-Style Female Quick Connect Fitting, 200 Series Barb, 5/32" (4.0 mm) ID Tubing |               |          |                                 |
| DRAWN BY:<br>Toby Whitaker  | DATE:<br>6/16/2009 | SIZE:<br><b>B</b>  | SCALE:<br>NTS | VER:<br> | DWG. NO.    REV<br>1007800    F |
| NEW PRODUCT DEVELOPMENT MGR:<br>R. Narayanan  |                    | © 2008 VALUE PLASTICS, INC   |               |          | SHEET: 1 OF 1                   |

**FOR REFERENCE ONLY**