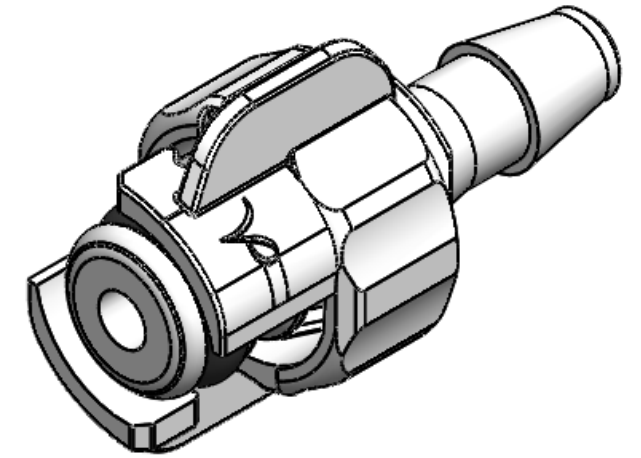
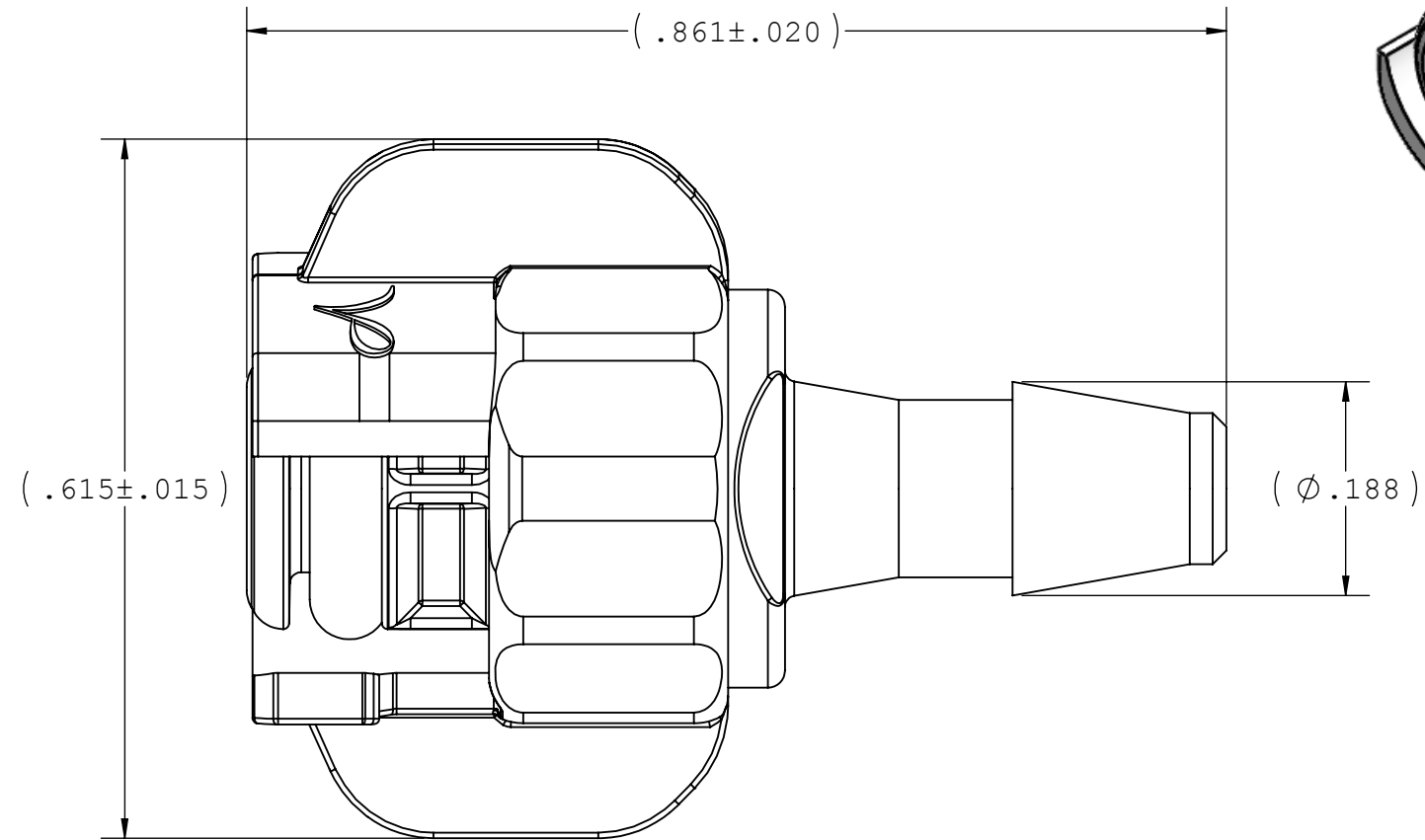
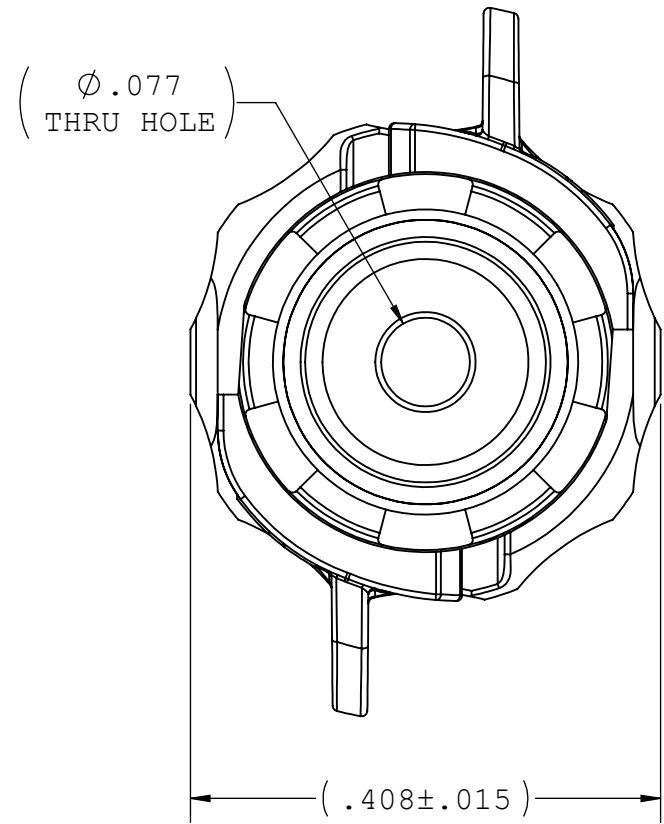


NOTES: FOR ADDITIONAL DETAILS, PLEASE CONTACT VP CUSTOMER SERVICE
 DIMENSIONS MARKED \square ARE CONTROL DIMENSIONS

REVISIONS			
REV.	DESCRIPTION	DATE	APPROVED
A	INITIAL RELEASE	08/01/12	S.N.R



UNLESS OTHERWISE SPECIFIED DIMENSIONS ARE IN INCHES TOLERANCES ARE:		VALUE PLASTICS, INC			
FRACTIONS DECIMAL ANGULAR \pm .XX $\pm .01$ $\pm 1^\circ$.XXX $\pm .005$.XXXX $\pm .001$		PART NUMBER: BPLM230			
DO NOT SCALE DRAWING		DESCRIPTION: BPLM w/ 200 SERIES BARB, 1/8" (3.2 mm) ID TUBING			
DRAWN BY: kyles	DATE: 8/3/2012	SIZE: B	SCALE: NTS	VER: 	DWG. NO. REV 1022986 A
MANAGER: RaviN		© 2011 VALUE PLASTICS, INC			SHEET: 1 OF 1

FOR REFERENCE ONLY