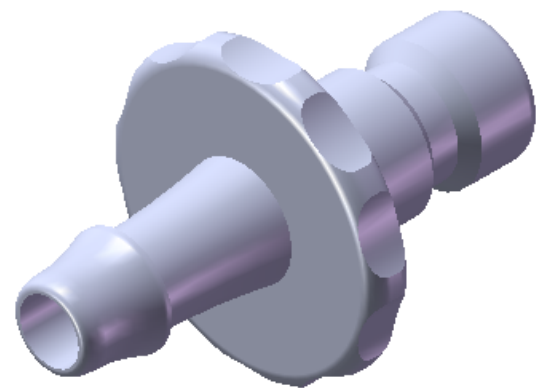
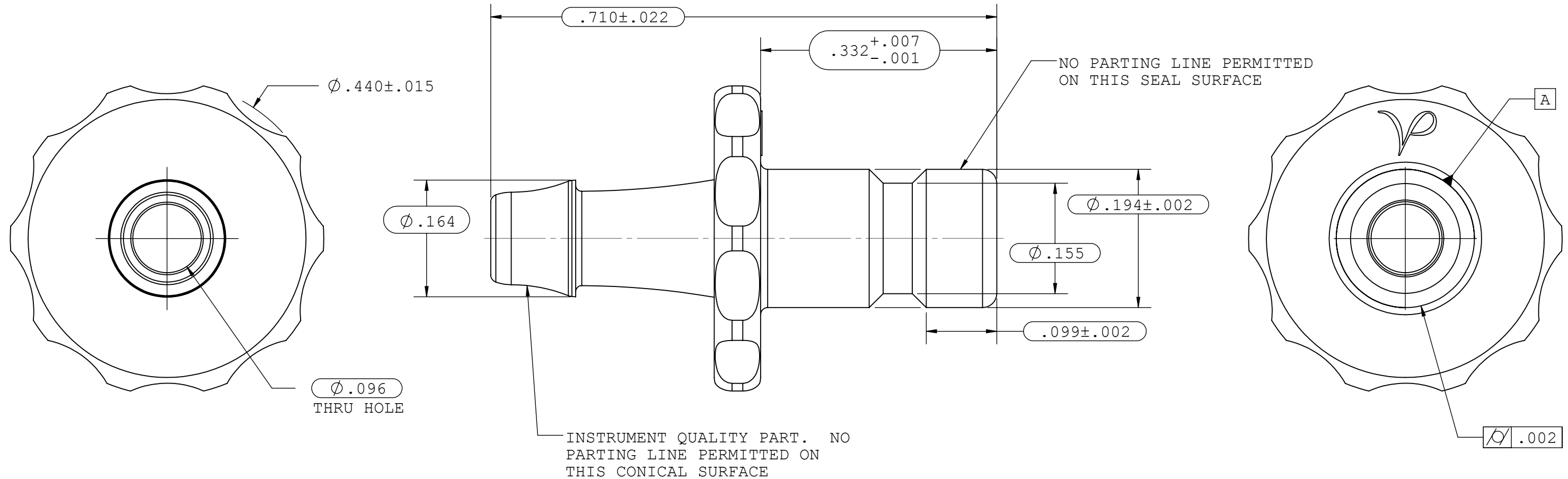


NOTES: FOR MORE DETAILS SEE YOUR V.P. SERVICE REP.

REVISIONS			
REV.	DESCRIPTION	DATE	APPROVED
A	INITIAL RELEASE	04-21-05	
B	CO 018 Drafting Update	09-09-05	Rick C.
C	ECO 104	03-31-09	S.N.R
D	ECO 175	08-27-10	S.N.R
E	ECO 301	3-10-15	H.L



UNLESS OTHERWISE SPECIFIED DIMENSIONS ARE IN INCHES TOLERANCES ARE:		<b>VALUE PLASTICS, INC</b>			
FRACTIONS	DECIMAL				
±	.XX ±.01	± 1°			
	.XXX ±.005				
	.XXXX ±.001				
DO NOT SCALE DRAWING		PART NUMBER: <b>BPM013</b>			
		DESCRIPTION: Blood Pressure Monitor Connector Bayonet to 500 Series Barb, 1/8" (3 mm) ID Tubing			
DRAWN BY: Pete L.	DATE: 7/6/2015	SIZE: <b>B</b>	SCALE: NTS	VER:	DWG. NO. 1006877
NEW PRODUCT DEVELOPMENT MGR: Lou H.		© 2008 VALUE PLASTICS, INC			REV E
				SHEET:	1 OF 1

**FOR REFERENCE ONLY**