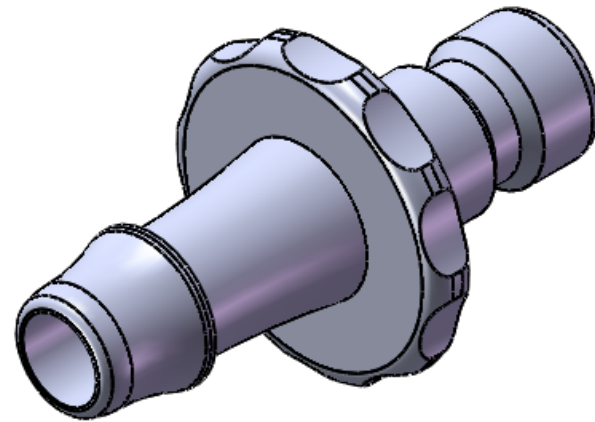
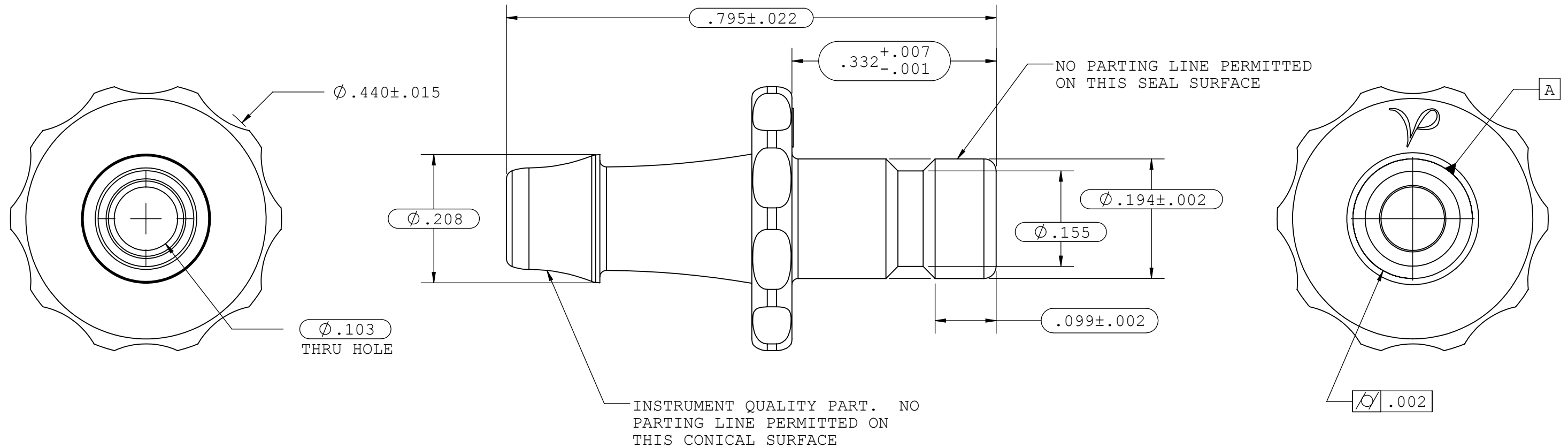


NOTES: FOR MORE DETAILS SEE YOUR V.P. SERVICE REP.

REVISIONS			
REV.	DESCRIPTION	DATE	APPROVED
A	INITIAL RELEASE	04-21-05	
B	CO 018 Drafting Update	09-09-05	Rick C.
C	ECO 104	11-21-08	S.N.R
D	ECO 175	08-27-10	S.N.R
E	ECO 301	3-11-15	H.L



UNLESS OTHERWISE SPECIFIED DIMENSIONS ARE IN INCHES TOLERANCES ARE:		VALUE PLASTICS, INC			
FRACTIONS	DECIMAL				
$\pm .XX$	$\pm .01$	$\pm 1^\circ$	DESCRIPTION:	Blood Pressure Monitor Connector Bayonet to 500 Series Barb, 5/32" (4 mm) ID Tubing	
$\pm .XXX$	$\pm .005$		DRAWN BY:	Pete L.	
$\pm .XXXX$	$\pm .001$		DATE:	7/2/2015	
DO NOT SCALE DRAWING			SIZE:	B	
			SCALE:	NTS	
			VER:		
			DWG. NO.:	1006878	
			REV:	E	
NEW PRODUCT DEVELOPMENT MGR:				© 2008 VALUE PLASTICS, INC	
Lou H.				SHEET: 1 OF 1	

FOR REFERENCE ONLY