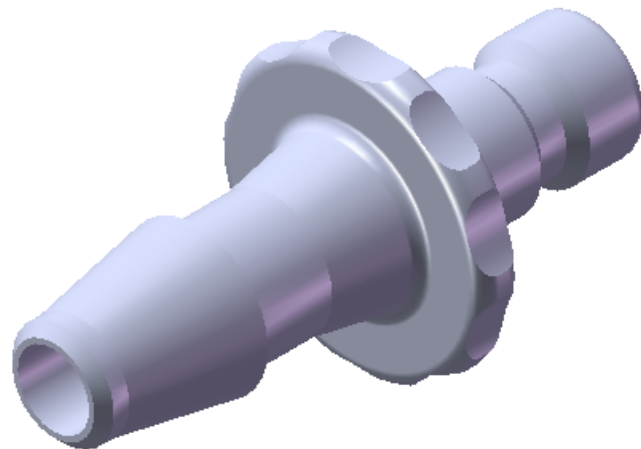
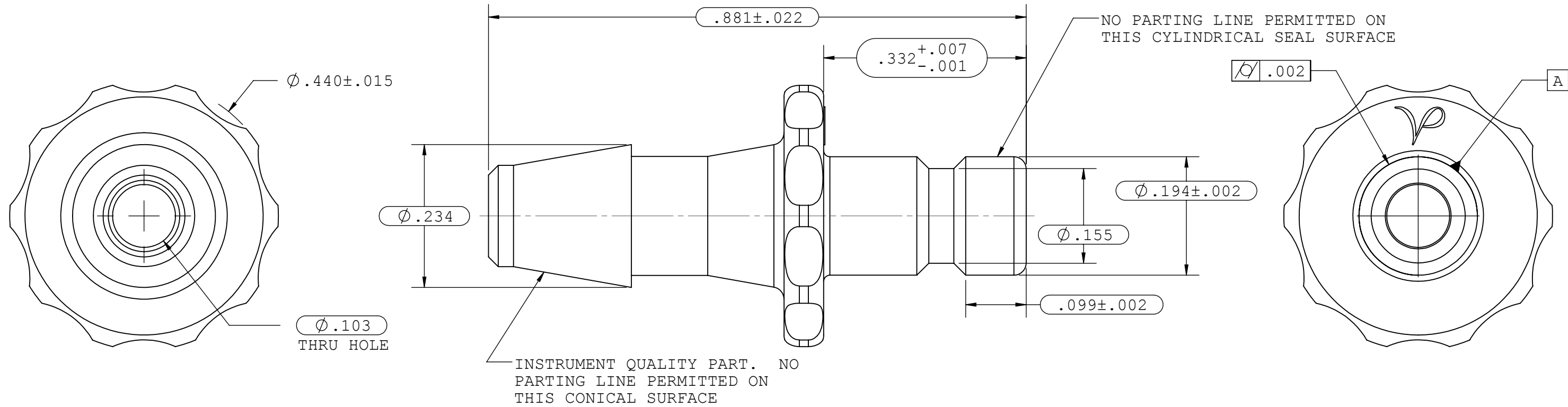


NOTES: FOR MORE DETAILS SEE YOUR V.P. SERVICE REP.

REVISIONS			
REV.	DESCRIPTION	DATE	APPROVED
A	INITIAL RELEASE	04-21-05	
B	CO 024 Drafting Update	10-04-05	Rick C.
C	ECO 104	12-11-08	S.N.R
D	ECO 175	08-27-10	S.N.R
E	ECO 301	3-11-15	H.L



UNLESS OTHERWISE SPECIFIED DIMENSIONS ARE IN INCHES TOLERANCES ARE:		VALUE PLASTICS, INC			
FRACTIONS DECIMAL ANGULAR ± .XX ±.01 ± 1° .XXX ±.005 .XXXX ±.001		PART NUMBER: BPM240			
DO NOT SCALE DRAWING		DESCRIPTION: Blood Pressure Monitor Connector Bayonet to 200 Series Barb, 5/32" (4 mm) ID Tubing			
DRAWN BY: Pete L.	DATE: 7/6/2015	SIZE: B	SCALE: NTS	VER: 	DWG. NO. 1007481
NEW PRODUCT DEVELOPMENT MGR: Lou H.		© 2008 VALUE PLASTICS, INC			REV E
				SHEET:	1 OF 1

FOR REFERENCE ONLY