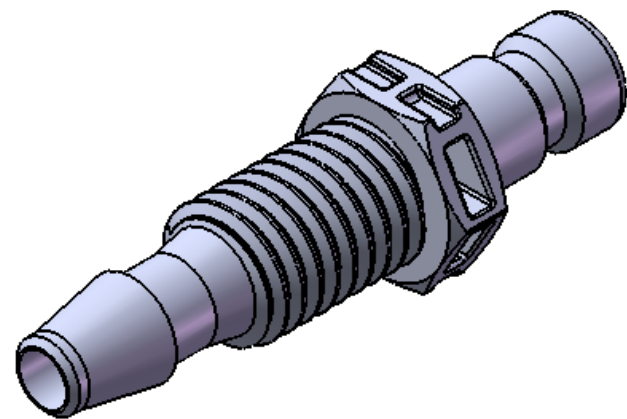
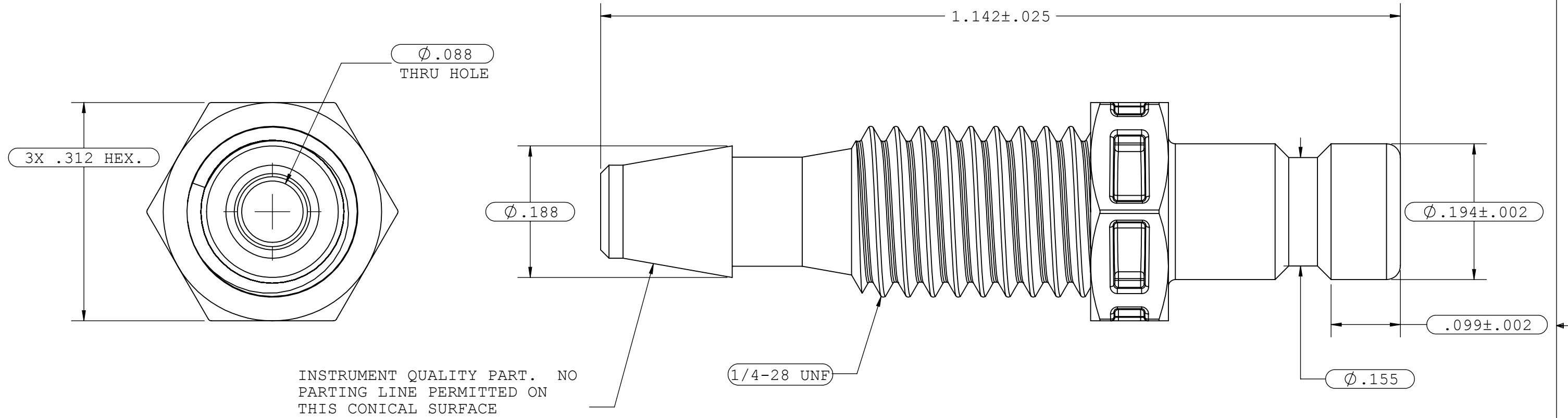


NOTES: FOR MORE DETAILS SEE YOUR V.P. SERVICE REP.

REVISIONS			
REV.	DESCRIPTION	DATE	APPROVED
A	INITIAL RELEASE	06-26-06	Rick C.
B	ECO 104	02-02-09	S.N.R



UNLESS OTHERWISE SPECIFIED DIMENSIONS ARE IN INCHES TOLERANCES ARE:		<b>VALUE PLASTICS, INC</b>			
FRACTIONS    DECIMAL    ANGULAR ±            .XX ±.01            ± 1° .XXX ±.005 .XXXX ±.001		PART NUMBER: <b>BPMB230</b>			
DO NOT SCALE DRAWING		DESCRIPTION: Blood Pressure Monitor Connector Bayonet Panel Mount Connector to 200 Series Barb, 1/8" (3 mm) ID Tubing			
DRAWN BY: <b>Frank.Lombardi</b>	DATE: <b>2/2/2009</b>	SIZE: <b>B</b>	SCALE: <b>NTS</b>	VER:	DWG. NO. <b>1008600</b>
NEW PRODUCT DEVELOPMENT MGR: <b>R. Narayanan</b>		© 2008 VALUE PLASTICS, INC			REV <b>B</b>
				SHEET:	<b>1 OF 1</b>

**FOR REFERENCE ONLY**