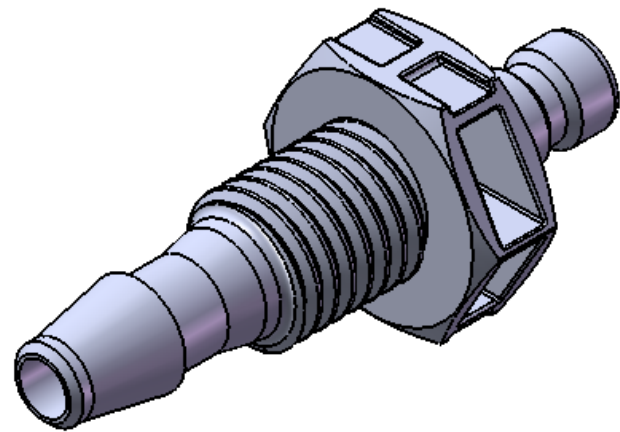
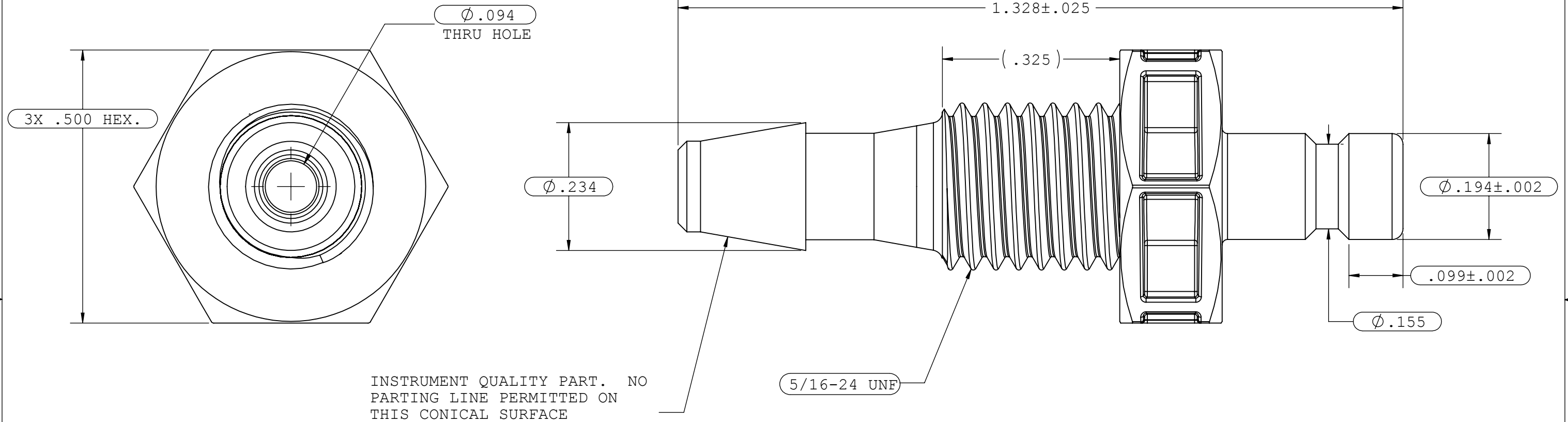


NOTES: FOR MORE DETAILS SEE YOUR V.P. SERVICE REP.

REVISIONS			
REV.	DESCRIPTION	DATE	APPROVED
A	INITIAL RELEASE	06-26-06	Rick C.
B	ECO 104	02-13-09	S.N.R



UNLESS OTHERWISE SPECIFIED DIMENSIONS ARE IN INCHES TOLERANCES ARE:		<b>VALUE PLASTICS, INC</b>			
FRACTIONS    DECIMAL    ANGULAR $\pm$ .XX $\pm$ .01 $\pm 1^\circ$ $\pm$ .XXX $\pm$ .005 $\pm$ .XXXX $\pm$ .001		PART NUMBER: BPMB240			
DO NOT SCALE DRAWING		DESCRIPTION: Blood Pressure Monitor Connector Bayonet Panel Mount Connector to 200 Series Barb, 5/32" (4 mm) ID Tubing			
DRAWN BY: Frank.Lombardi	DATE: 2/13/2009	SIZE: <b>B</b>	SCALE: NTS	VER: 	DWG. NO.    REV 1008228    B
NEW PRODUCT DEVELOPMENT MGR: R. Narayanan		© 2008 VALUE PLASTICS, INC			SHEET: 1 OF 1

**FOR REFERENCE ONLY**