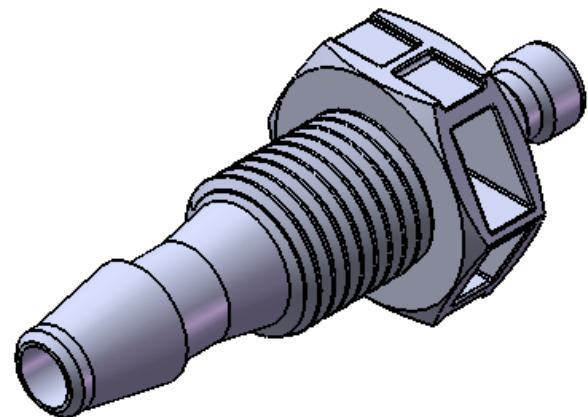
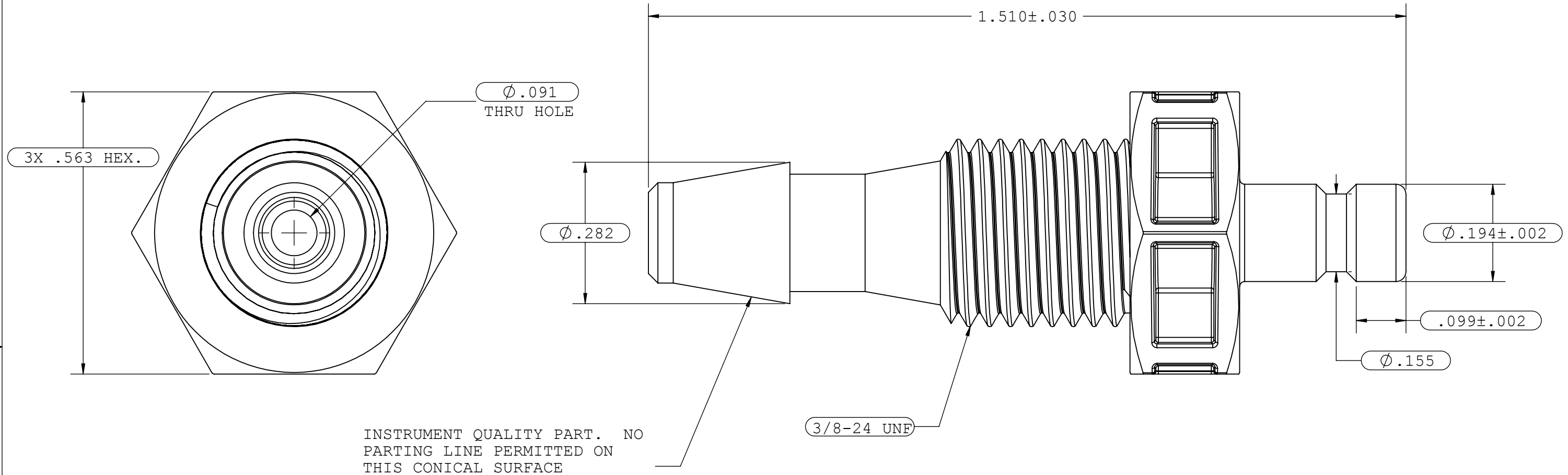


NOTES: FOR MORE DETAILS SEE YOUR V.P. SERVICE REP.

REVISIONS			
REV.	DESCRIPTION	DATE	APPROVED
A	INITIAL RELEASE	06-26-06	Rick C.
B	ECO 104	02-02-09	S.N.R



UNLESS OTHERWISE SPECIFIED DIMENSIONS ARE IN INCHES TOLERANCES ARE:		VALUE PLASTICS, INC			
FRACTIONS DECIMAL ANGULAR \pm .XX \pm .01 \pm 1° \pm .XXX \pm .005 \pm .XXXX \pm .001		PART NUMBER: BPMB250			
DO NOT SCALE DRAWING		DESCRIPTION: Blood Pressure Monitor Connector Bayonet Panel Mount Connector to 200 Series Barb, 3/16" (4.75 mm) ID Tubing			
DRAWN BY: Frank.Lombardi	DATE: 2/2/2009	SIZE: B	SCALE: NTS	VER: 	DWG. NO. 1008229
NEW PRODUCT DEVELOPMENT MGR: R. Narayanan		© 2008 VALUE PLASTICS, INC			REV B
				SHEET: 1 OF 1	

FOR REFERENCE ONLY