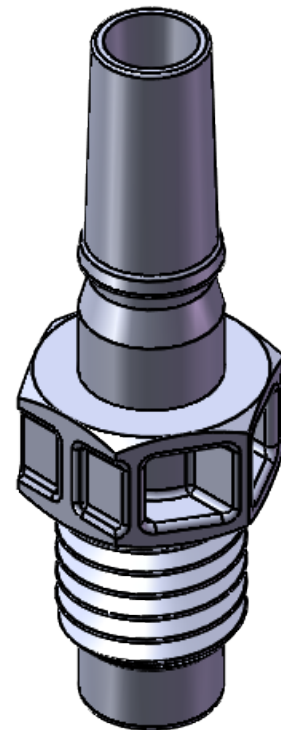
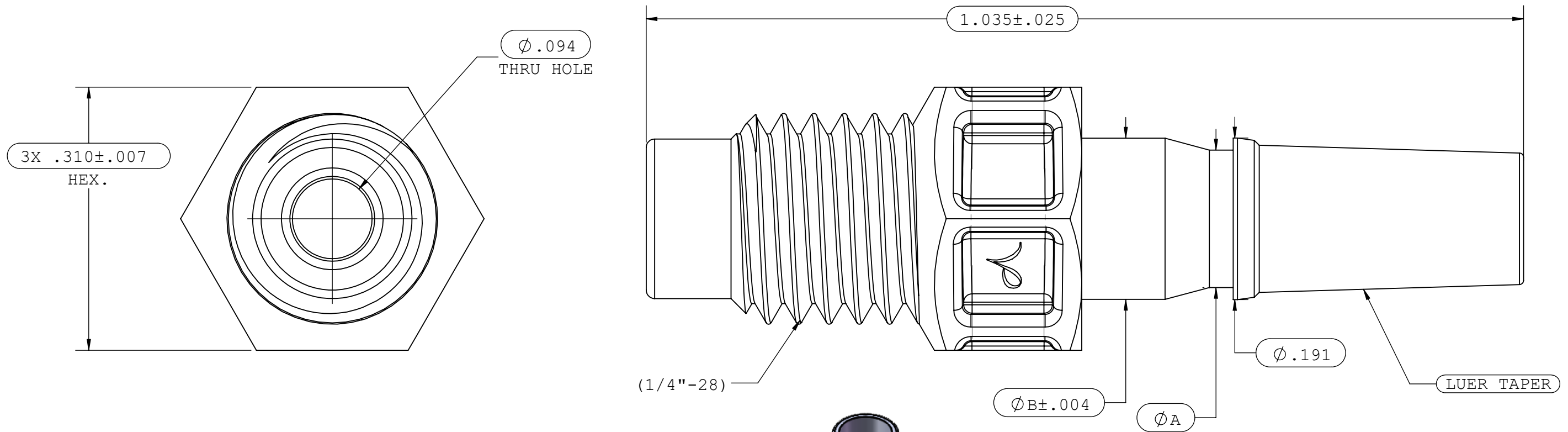


NOTES: 1.FOR ADDITIONAL DETAILS, PLEASE CONTACT VP NEW PRODUCT DEVELOPMENT

2.DIMENSIONS MARKED  ARE CONTROL DIMENSIONS

3.VERIFY THREAD USING CG118 1/4"-28 FUNCTIONAL THREAD GAUGE

REVISIONS			
REV.	DESCRIPTION	DATE	APPROVED
A	INITIAL RELEASE	06-12-01	
B	CO 018 Drafting Update	01-17-06	Rick C.
C	ECO 285 ECO 358	02-08-17	FJL
D	ECO 1079196	01-31-20	FJL



Dimension	Material Specific Tolerances							
	Acetal	Nylon	PP	ABS	PC	PVC	Polysulfone	Kynar
A	.162	.162	.162	.162	.162	.162	.162	.156
B	.190	.190	.190	.190	.190	.190	.190	.188
C								
D								
E								
F								

UNLESS OTHERWISE SPECIFIED DIMENSIONS ARE IN INCHES TOLERANCES ARE: FRACTIONS .XX ±.01 ANGULAR ± 1° .XXX ±.005 .XXXX ±.001 DO NOT SCALE DRAWING		VALUE PLASTICS, INC			
DRAWN BY: shannond		DATE: 1/31/2020		PART NUMBER: BSMLRL	
MANAGER: huadong.lou		SIZE: B	SCALE: NTS	VER: 	DESCRIPTION: MALE LUER WITH 5/16" HEX TO 1/4-28 BOTTOM SEALING THREAD (MAY BE USED WITH SEPERATE ROTATING LOCK RING; FSLLR)
DWG. NO. 1006882				REV D	
© 2011 VALUE PLASTICS, INC					SHEET: 1 OF 1

FOR REFERENCE ONLY