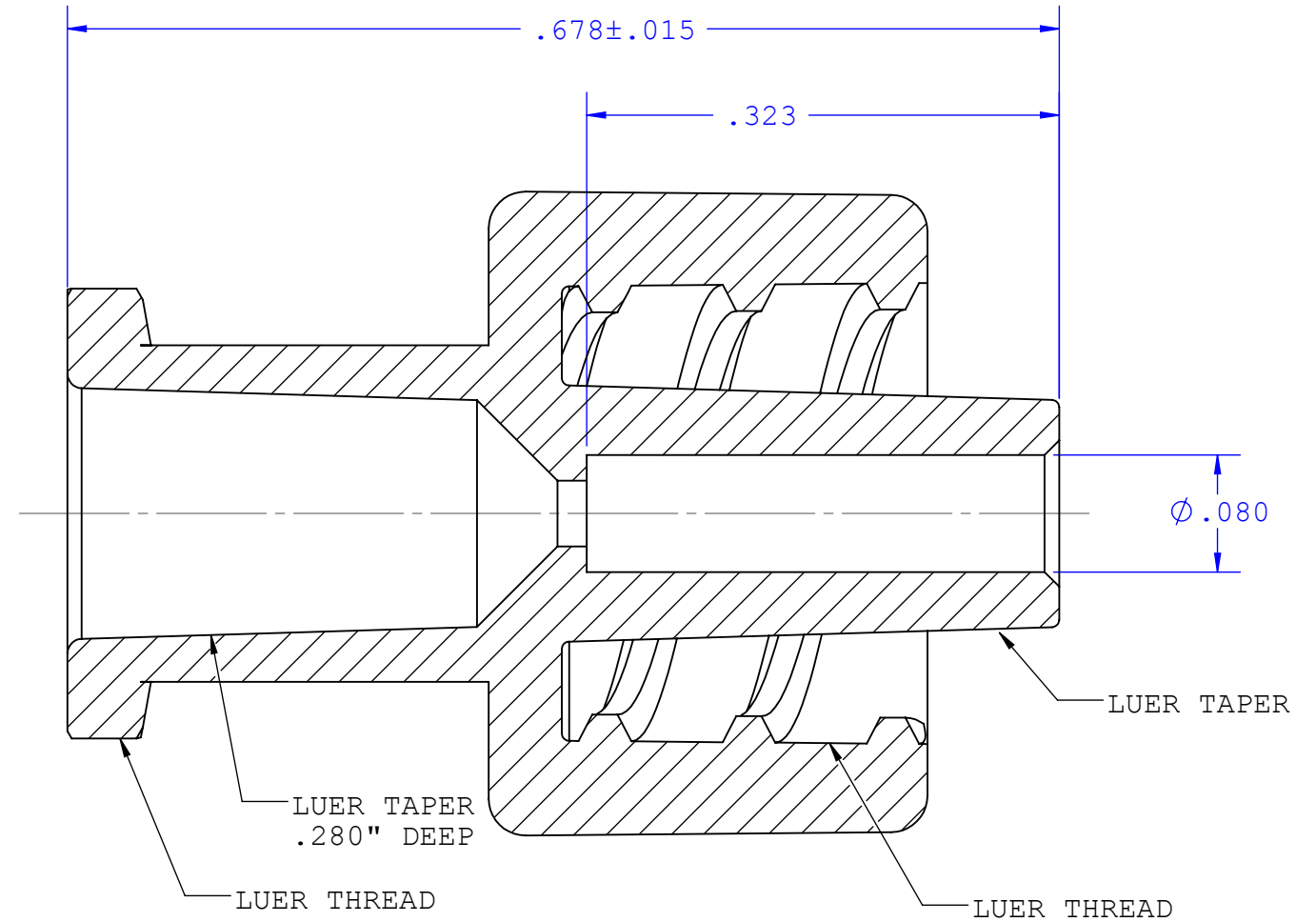
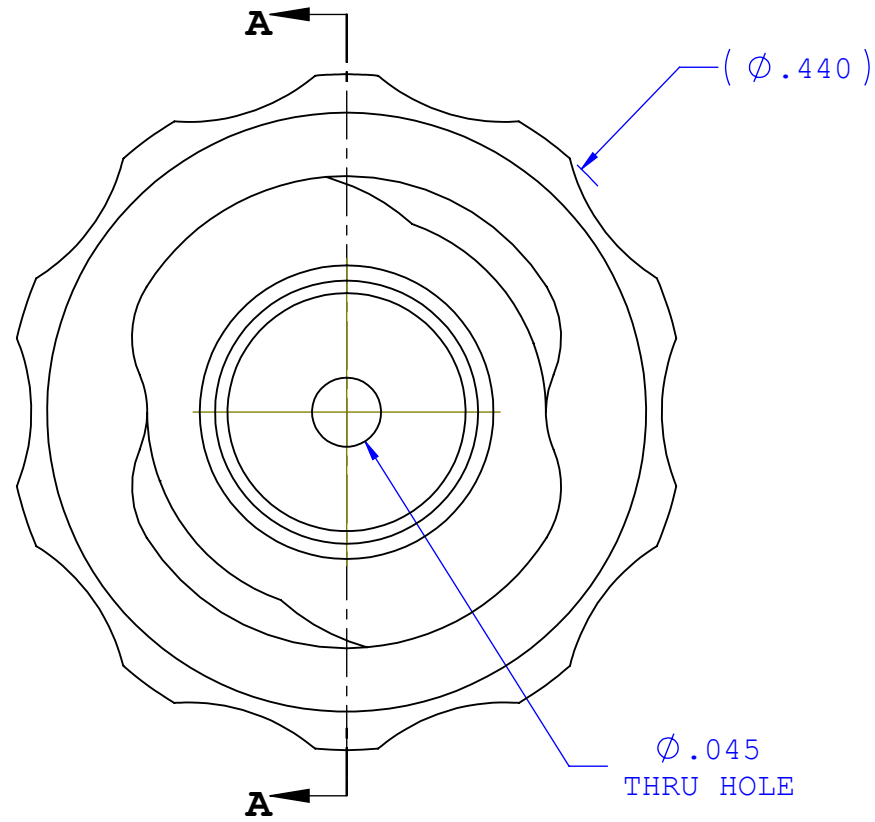
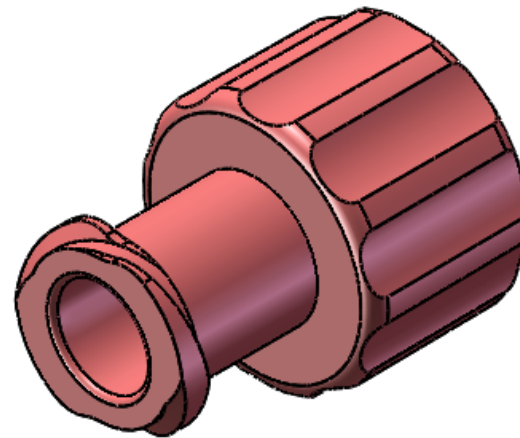


NOTES: FOR ADDITIONAL DETAILS, PLEASE CONTACT VP CUSTOMER SERVICE  
 DIMENSIONS MARKED  $\square$  ARE CONTROL DIMENSIONS

REVISIONS			
REV.	DESCRIPTION	DATE	APPROVED
A	INITIAL RELEASE	8-22-06	
B	.020" Flat Added to .045" Thru Hole	3-06-09	R. CAIRNS



**SECTION A-A**



UNLESS OTHERWISE SPECIFIED DIMENSIONS ARE IN INCHES TOLERANCES ARE:		<b>VALUE PLASTICS, INC</b>			
FRACTIONS    DECIMAL    ANGULAR $\pm$ .XX $\pm$ .01 $\pm$ 1° .XXX $\pm$ .005 .XXXX $\pm$ .001 DO NOT SCALE DRAWING		PART NUMBER: CF148			
DRAWN BY: randy.sakurada		DATE: 6/1/2009		DESCRIPTION: Male Luer to Female Coupler (.045" Thru Hole with .080" Male Side Bond-In Port)	
ENGINEERING MGR: R. CAIRNS		SIZE: <b>B</b>	SCALE: NTS	VER: 	DWG. NO. 1008953
© 2009 VALUE PLASTICS, INC				SHEET: 1 OF 1	

**FOR REFERENCE ONLY**