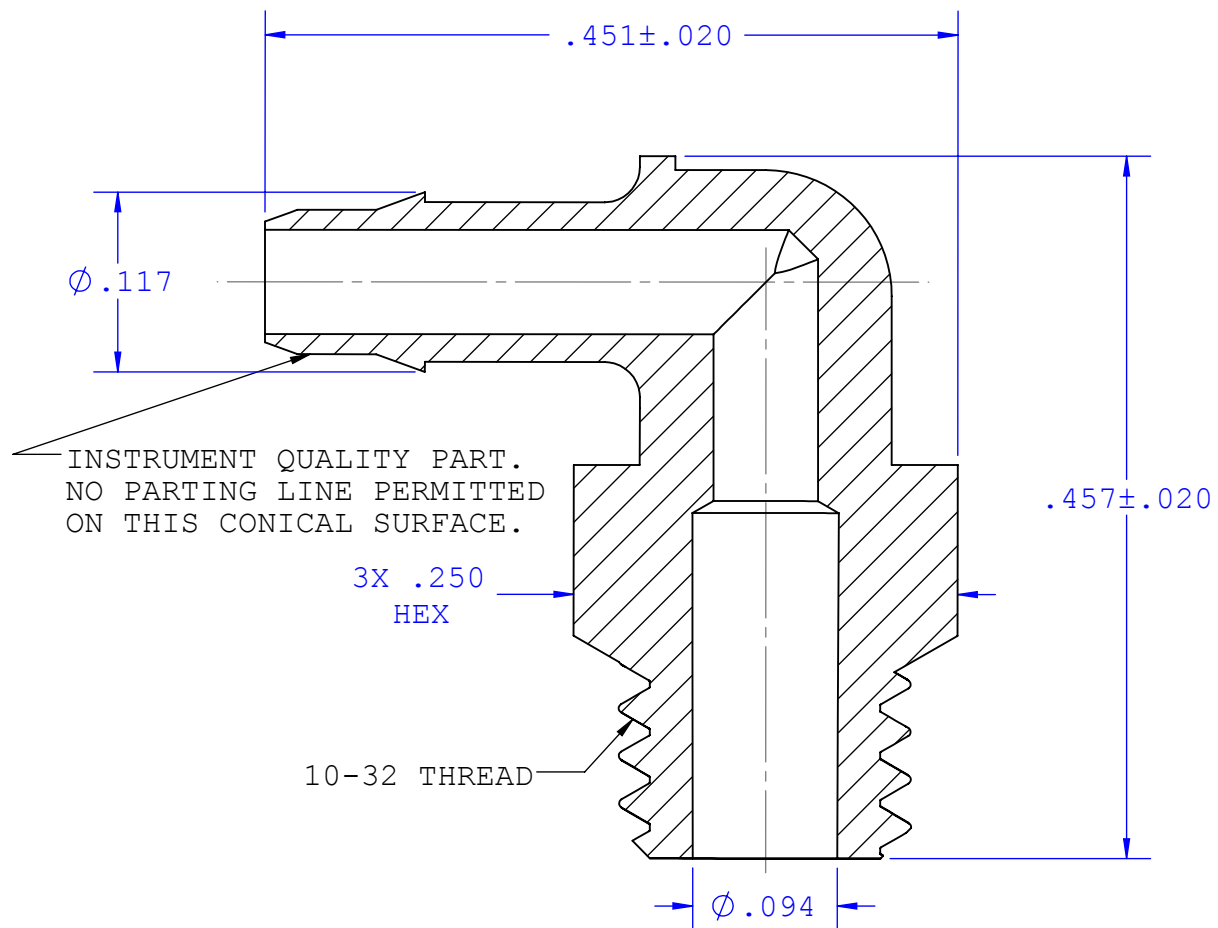
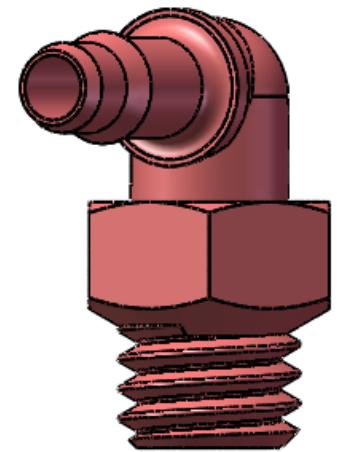
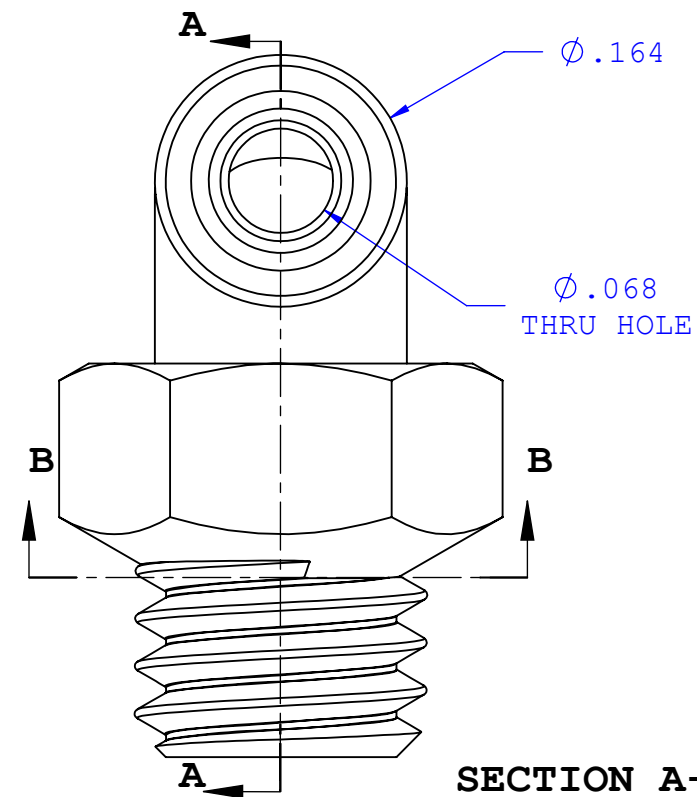
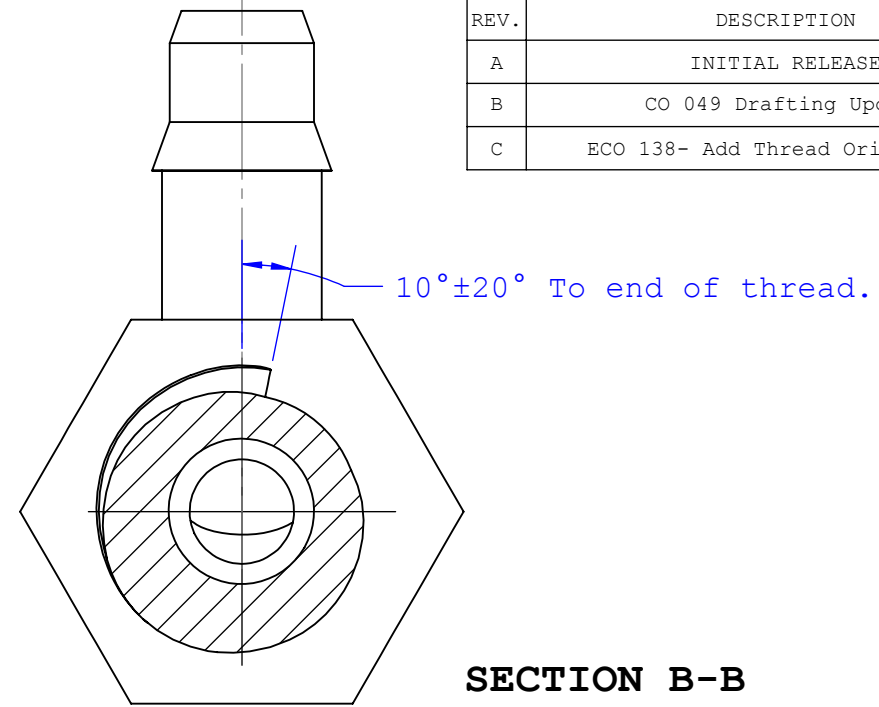


NOTES: FOR ADDITIONAL DETAILS, PLEASE CONTACT VP CUSTOMER SERVICE
 DIMENSIONS MARKED \square ARE CONTROL DIMENSIONS

REVISIONS			
REV.	DESCRIPTION	DATE	APPROVED
A	INITIAL RELEASE	08-19-98	
B	CO 049 Drafting Update	12-28-07	Rick C.
C	ECO 138- Add Thread Orientation	07-27-09	Rick C.



UNLESS OTHERWISE SPECIFIED
 DIMENSIONS ARE IN INCHES
 TOLERANCES ARE:

FRACTIONS	DECIMAL	ANGULAR
±	.XX ±.01	± 1°
	.XXX ±.005	
	.XXXX ±.001	

DO NOT SCALE DRAWING

VALUE PLASTICS, INC

PART NUMBER:

CF202

DESCRIPTION:

10-32 UNF Elbow with Custom Thread Orientation to
 400 Series Barb, 3/32" (2.4mm) ID Tubing

DRAWN BY:

randy.sakurada

DATE:

7/30/2009

SIZE:

B

SCALE:

NTS

VER:

DWG. NO.

1010116

REV

C

ENGINEERING MGR:

R. Cairns

© 2009 VALUE PLASTICS, INC

SHEET:

1 OF 1

FOR REFERENCE ONLY