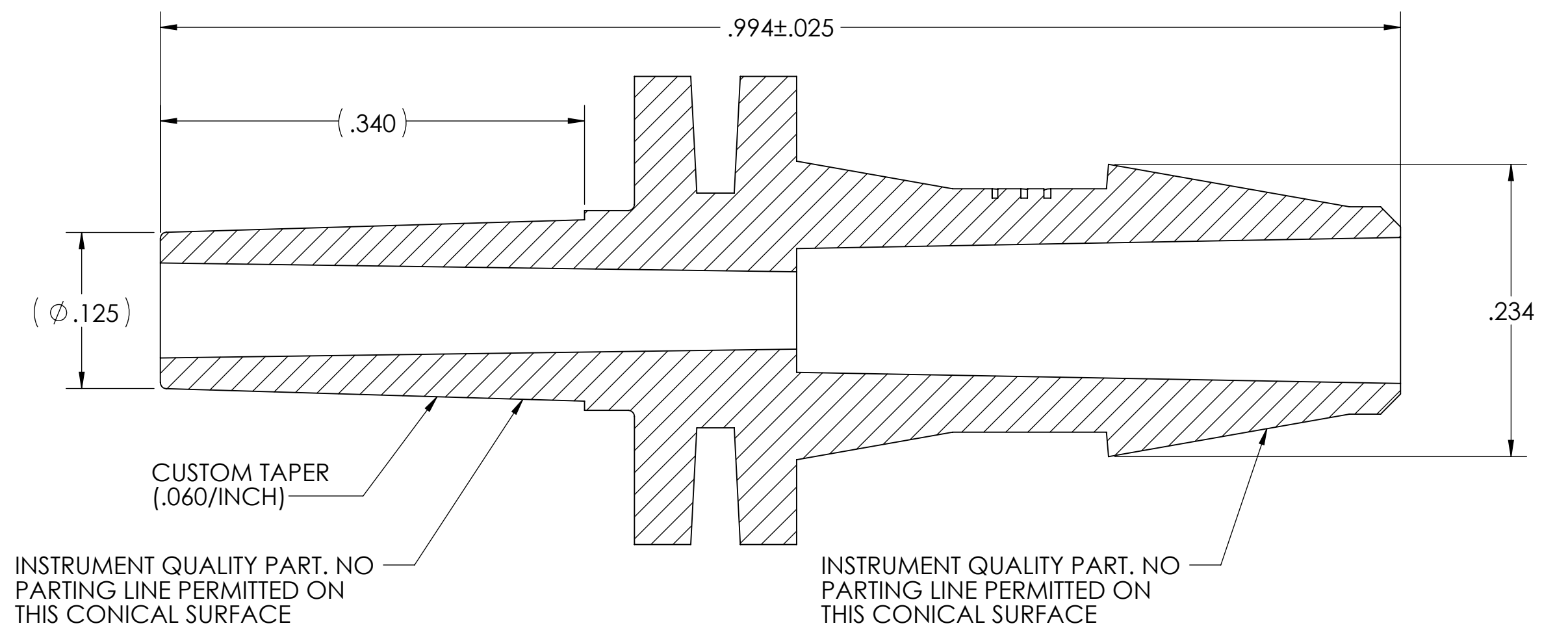
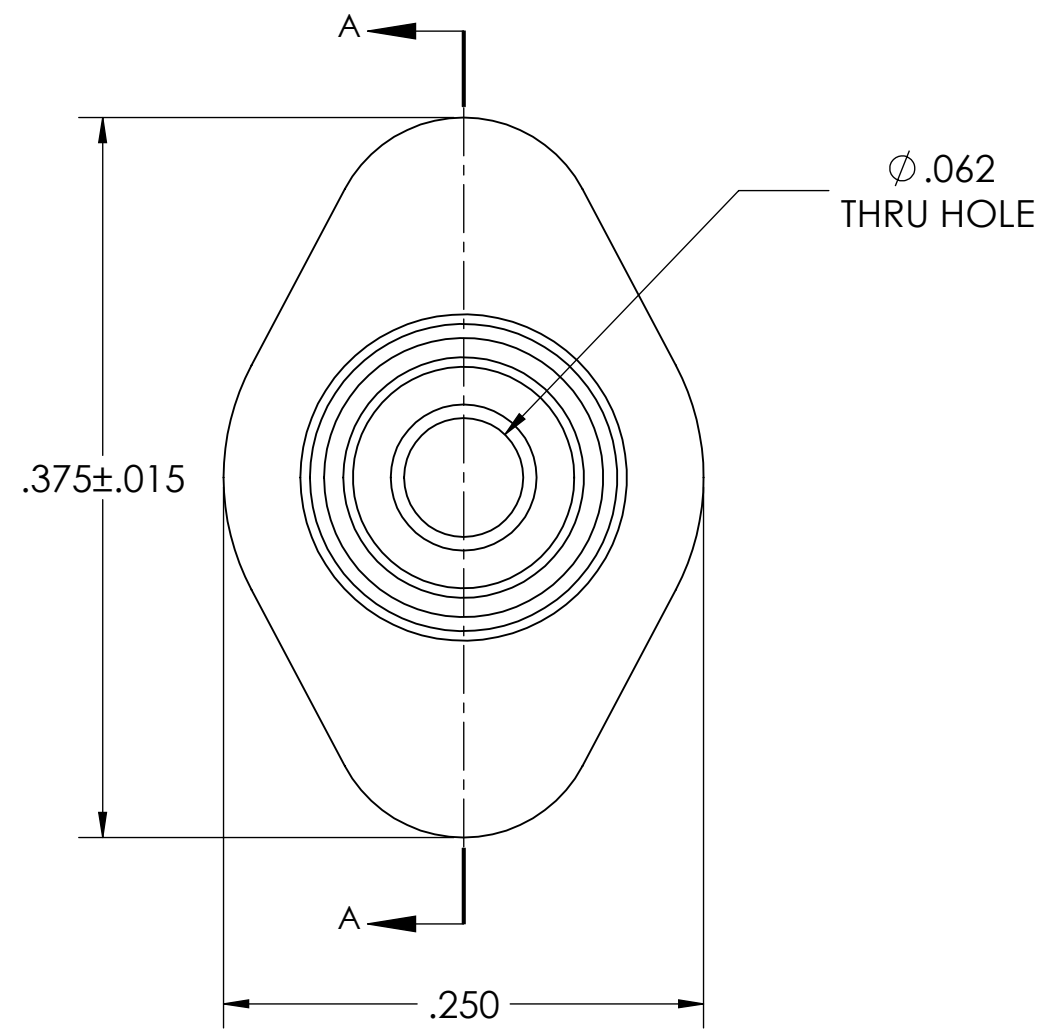
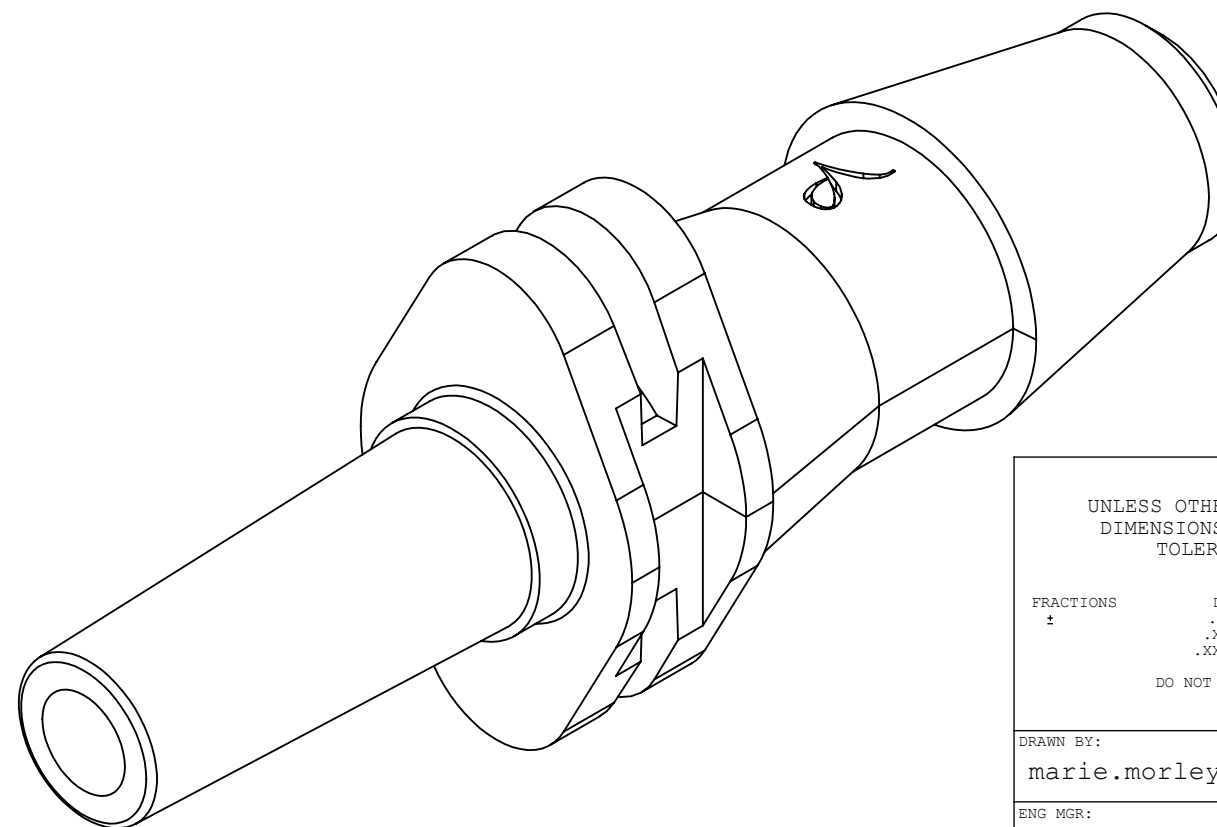


NOTES: FOR ADDITIONAL DETAILS, PLEASE CONTACT VP CUSTOMER SERVICE
 DIMENSIONS MARKED ARE CONTROL DIMENSIONS

REVISIONS			
REV.	DESCRIPTION	DATE	APPROVED
A	INITIAL RELEASE	12-12-01	
B	CO 039 DRAFTING UPDATE	02-20-06	Rick C.
C	ECO 374 DESCRIPTION UPDATE	01-11-18	FJL



SECTION A-A



UNLESS OTHERWISE SPECIFIED DIMENSIONS ARE IN INCHES TOLERANCES ARE:		VALUE PLASTICS, INC	
FRACTIONS 1	DECIMALS .XX $\pm .01$.XXX $\pm .005$.XXXX $\pm .001$	ANGULAR $\pm 1^\circ$	PART NUMBER: CF230
DO NOT SCALE DRAWING		DESCRIPTION: Neonatal NIBP, Slip Fit Micro Plug, 5/32" (4.0mm) ID Tubing	
DRAWN BY: marie.morleyjahn	DATE: 1/11/2018	SIZE: C	SCALE: NTS
ENG MGR: doug.kimmel	DATE: 1/11/2018	DRAWING NUMBER: 1008081	REV: C
		© 2015 VALUE PLASTICS, INC	
		SHEET: SHEET 1 of 1	

FOR REFERENCE ONLY