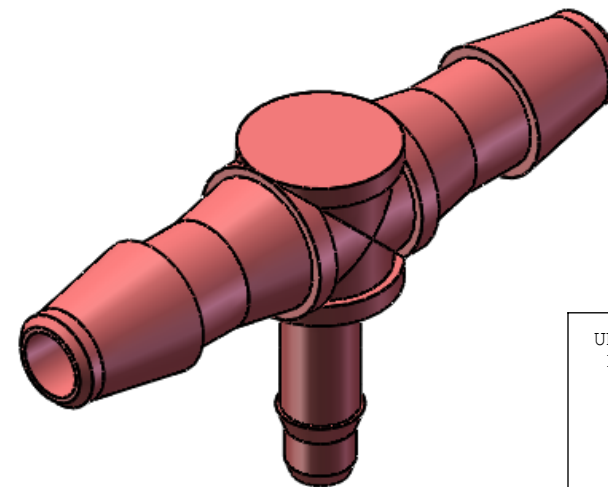
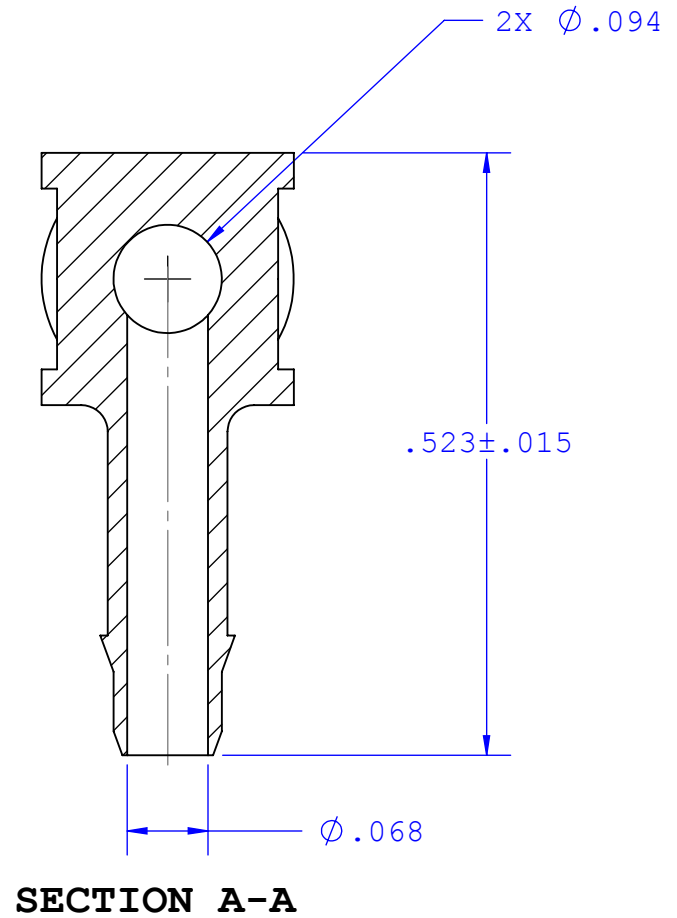
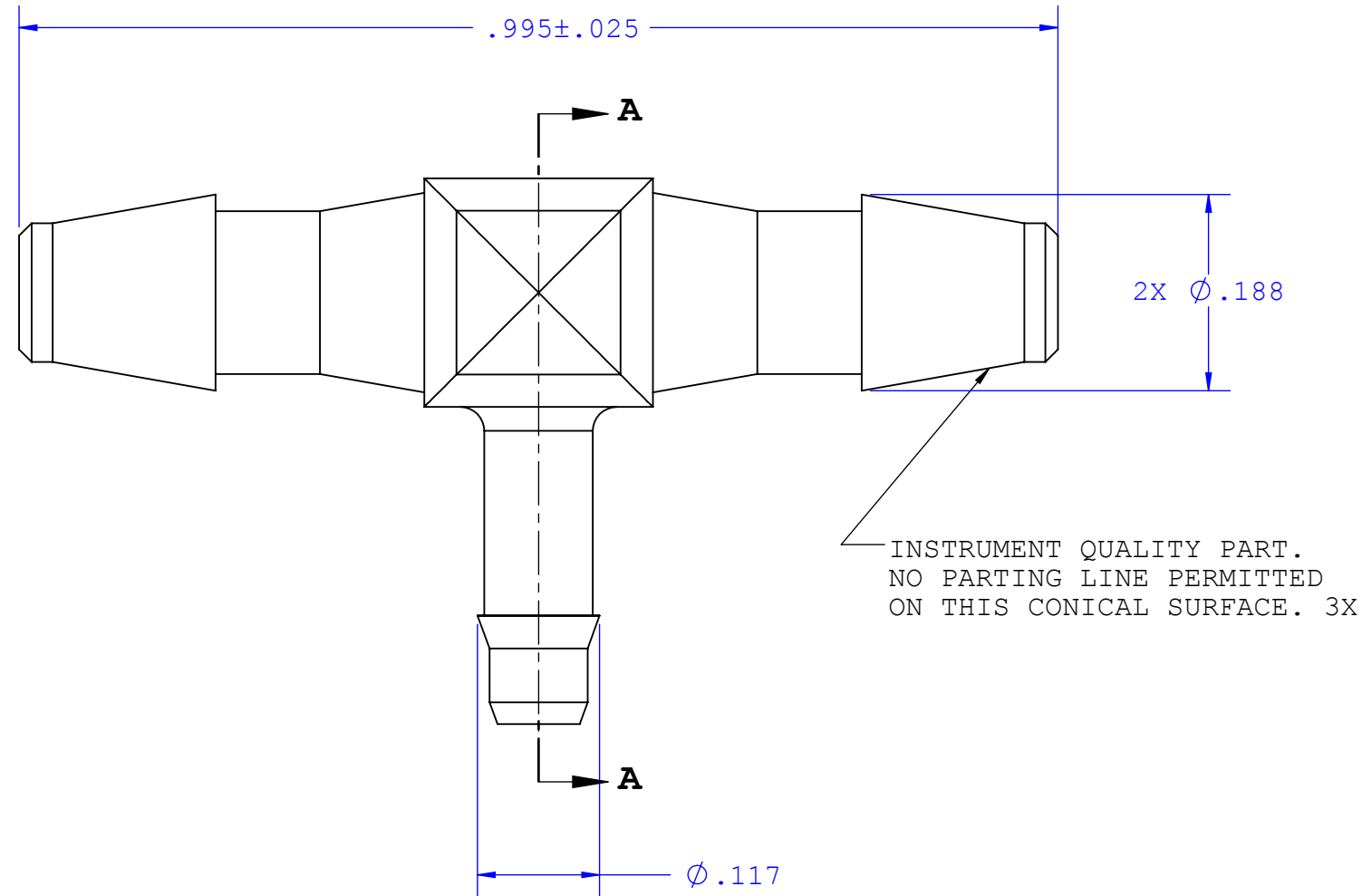


NOTES: FOR ADDITIONAL DETAILS, PLEASE CONTACT VP CUSTOMER SERVICE  
 DIMENSIONS MARKED  $\square$  ARE CONTROL DIMENSIONS

REVISIONS			
REV.	DESCRIPTION	DATE	APPROVED
A	INITIAL RELEASE	12-15-01	
B	CO 049 Drafting Update	12-28-07	R. Cairns
C	ECO 146- SW Drafting Update	09-21-09	R. Cairns



UNLESS OTHERWISE SPECIFIED DIMENSIONS ARE IN INCHES TOLERANCES ARE:		<b>VALUE PLASTICS, INC</b>			
FRACTIONS    DECIMAL    ANGULAR ±            .XX ±.01            ± 1° .XXX ±.005 .XXXX ±.001		PART NUMBER: CF231			
DO NOT SCALE DRAWING		DESCRIPTION: Tee Reduction Connector with 200 and 400 Series Barbs, 1/8" (3mm) and 3/32" (2.25mm) ID Tubing			
DRAWN BY: randy.sakurada	DATE: 9/25/2009	SIZE: <b>B</b>	SCALE: NTS	VER: 	DWG. NO. 1010080
ENGINEERING MGR: R. Cairns		© 2009 VALUE PLASTICS, INC			REV C
				SHEET: 1 OF 1	

**FOR REFERENCE ONLY**