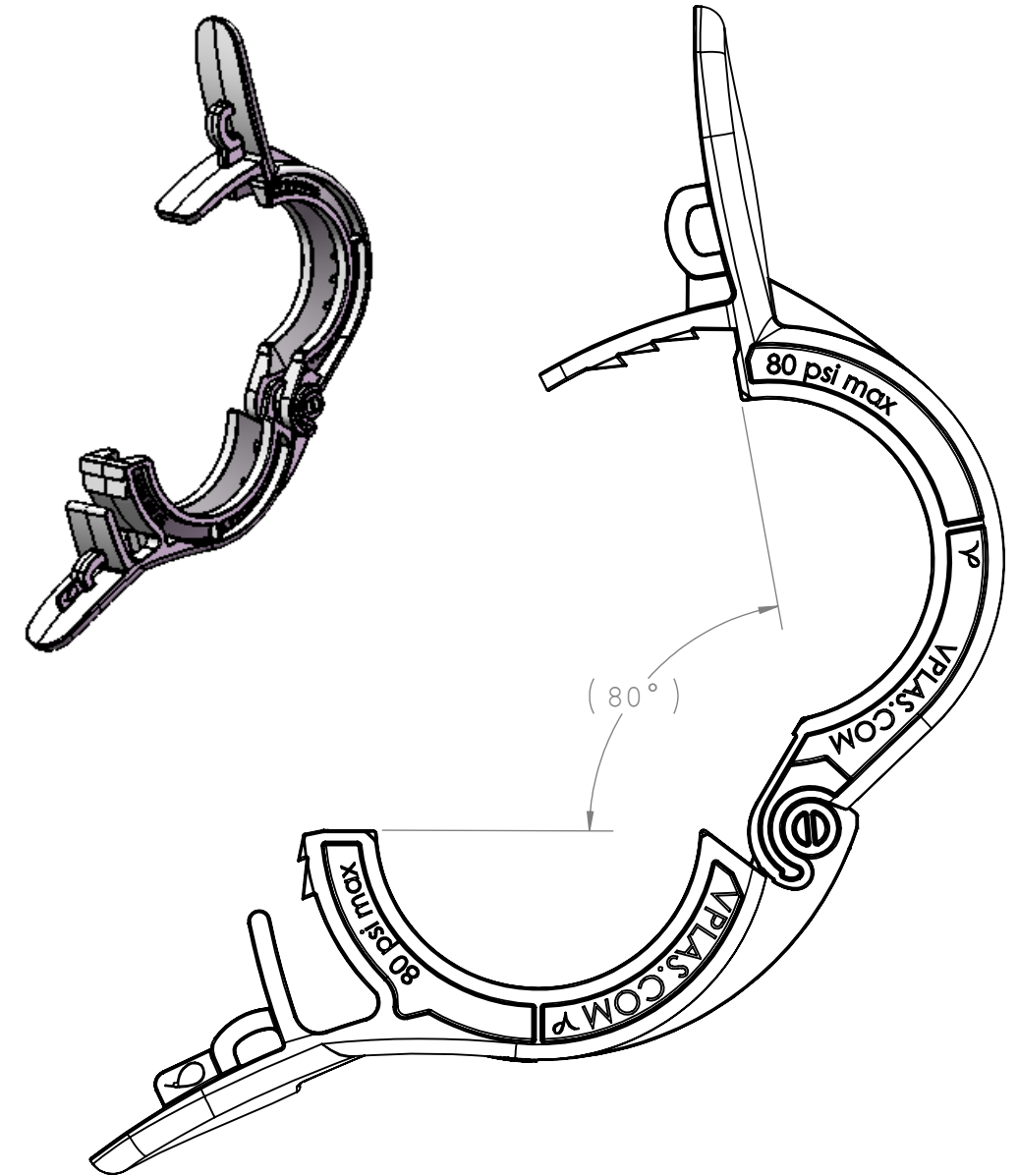
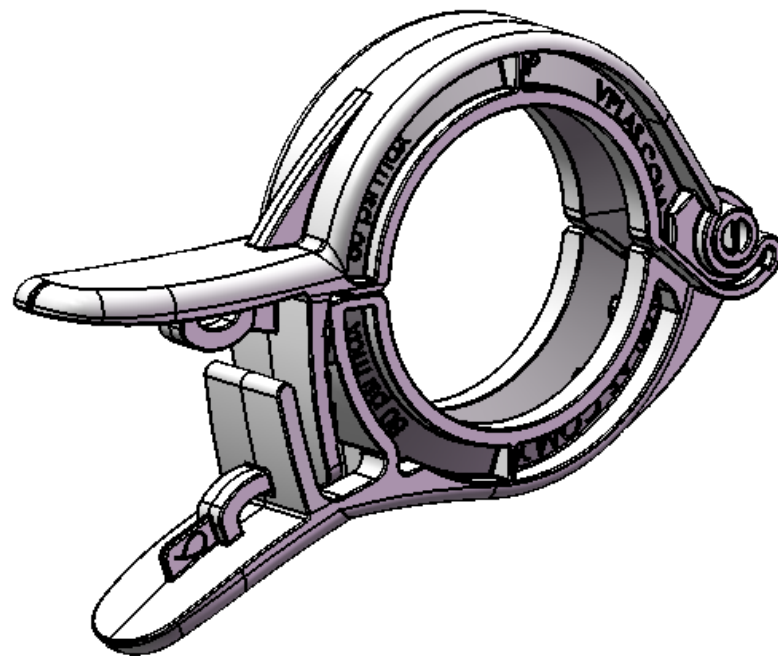
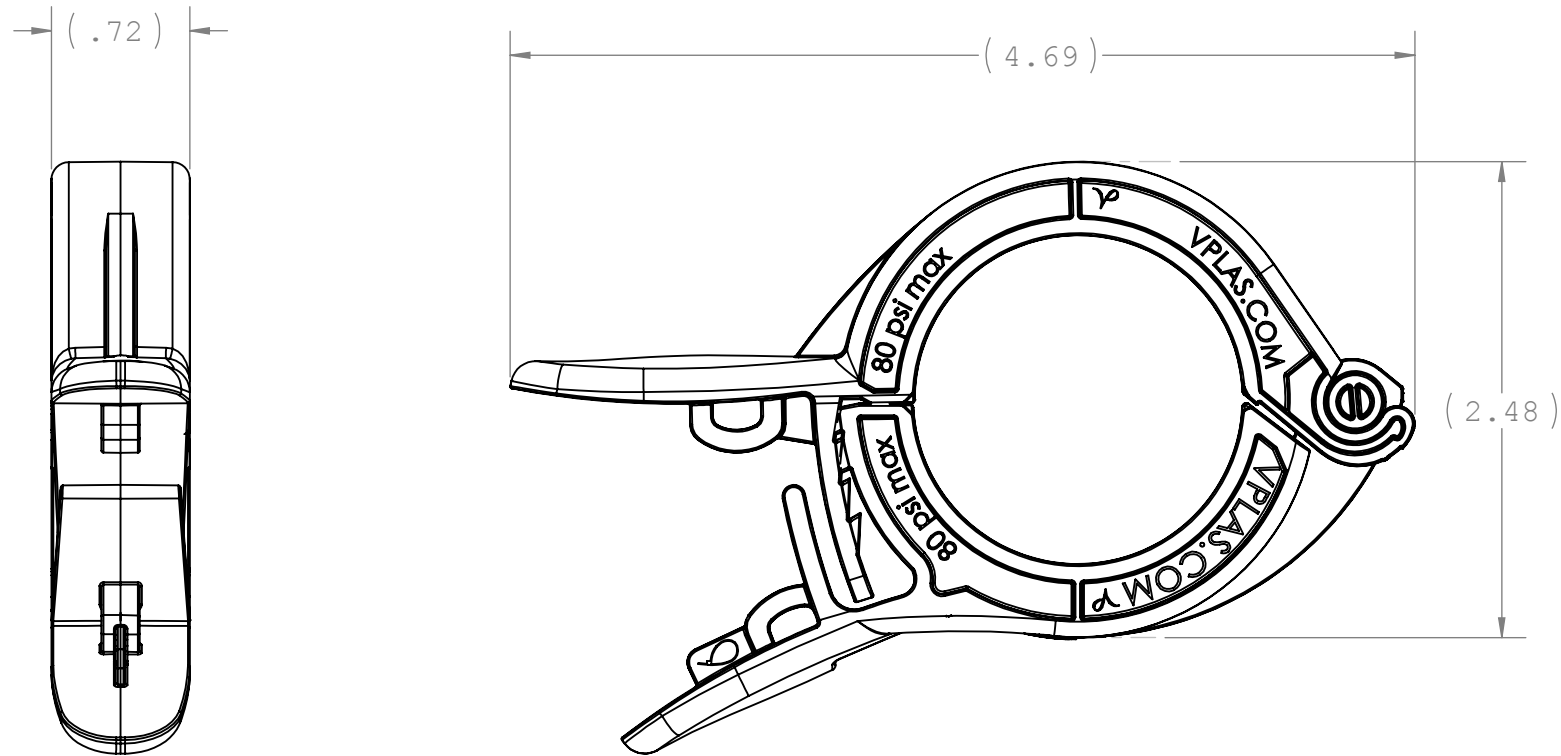


NOTES: FOR MORE DETAILS SEE YOUR V.P. SERVICE REP.

REVISIONS			
REV.	DESCRIPTION	DATE	APPROVED
A	Initial Release	4-16-12	S.N.R
B	ECO300	6-4-15	H.L
C	ECO300	11-20-15	H.L



UNLESS OTHERWISE SPECIFIED
DIMENSIONS ARE IN INCHES
TOLERANCES ARE:

FRACTIONS	DECIMAL	ANGULAR
±	.XX ±.01	± 1°
	.XXX ±.005	
	.XXXX ±.001	

DO NOT SCALE DRAWING

VALUE PLASTICS, INC

PART NUMBER: CPX150

DESCRIPTION: Single-Use Clamp, Maxi Flange, 1" (25.47mm) to 1.5" (38.1mm)

DRAWN BY: T. Whitaker	DATE: 4/12/12	SIZE: B	SCALE: NTS	VER:	DWG. NO. 1018774	REV C
MANAGER: L. Huadong					© 2010 VALUE PLASTICS, INC	SHEET: 1 OF 1

FOR REFERENCE ONLY