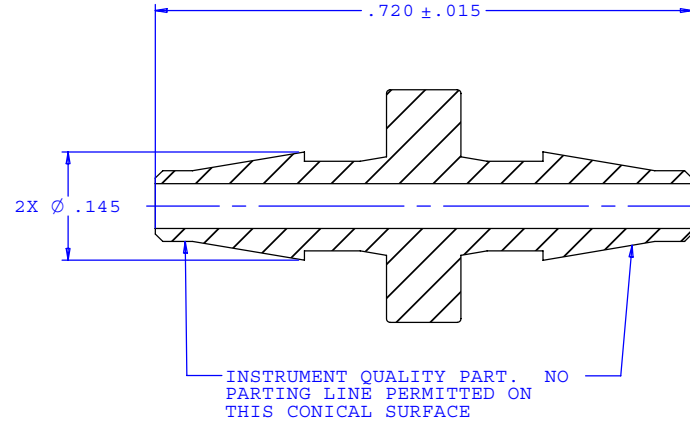
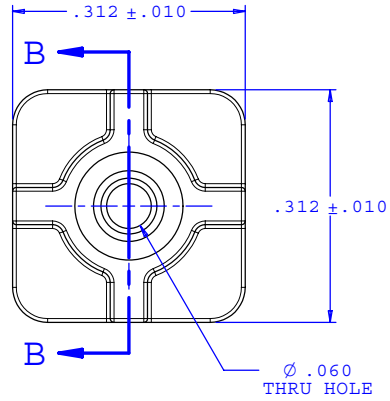
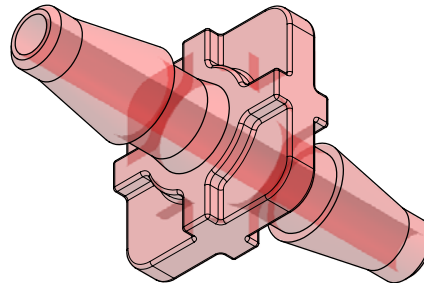


NOTE: FOR MORE DETAILS SEE YOUR V.P.CUSTOMER SERVICE REP.

REVISIONS			
REV.	DESCRIPTION	DATE	APPROVED
A	INITIAL RELEASE	07-25-97	
B	CO 012 Core Center Rib	05-04-05	Rick C.



SECTION B-B



UNLESS OTHERWISE SPECIFIED DIMENSIONS ARE IN INCHES TOLERANCES ARE:		<b>VALUE PLASTICS, INC.</b>	
FRACTIONS ±	DECIMALS .XX ±.01 .XXX ±.005 .XXXX ±.001	ANGULAR ±1°	PART NUMBER: <b>DD</b>
DO NOT SCALE DRAWING		DESCRIPTION: Straight Through Connector with Classic Series Barbs, 3/32" (2.25 mm) ID Tubing	
DRAWN BY: <b>Bob Bliven</b>	DATE: <b>02-07-05</b>	SIZE: <b>B</b>	SCALE: <b>NTS</b>
ENGINEER MANAGER: <b>Rick Cairns</b>	DATE: <b>02-07-05</b>	DRAWING NUMBER: <b>1005630</b>	REV. <b>B</b>
© 2004 VALUE PLASTICS, INC.		SHEET: 1 of 1	

**FOR REFERENCE ONLY**