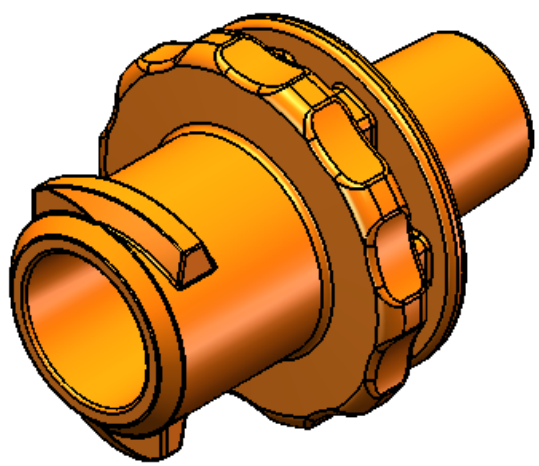
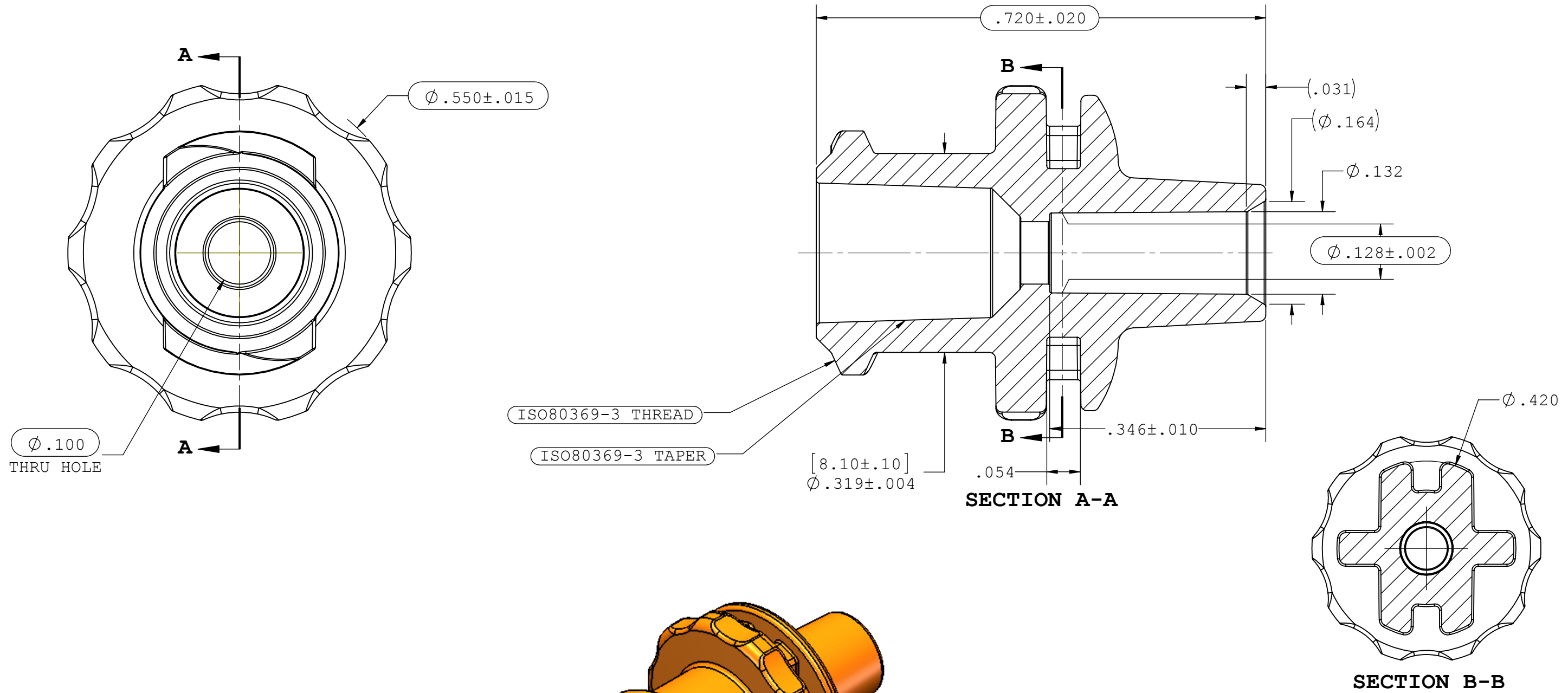


NOTES: FOR ADDITIONAL DETAILS, PLEASE CONTACT VP CUSTOMER SERVICE
 DIMENSIONS MARKED ϕ ARE CONTROL DIMENSIONS

REVISIONS			
REV.	DESCRIPTION	DATE	APPROVED
A	INITIAL RELEASE	02-17-16	H.L



UNLESS OTHERWISE SPECIFIED DIMENSIONS ARE IN INCHES TOLERANCES ARE:		VALUE PLASTICS, INC			
FRACTIONS	DECIMAL				
± .XX	± .01	± 1°	DESCRIPTION:	ISO 80369-3 Enteral Feeding Female Connector Socket for 10Fr. Tubing	
± .XXX	± .005		DRAWN BY:	Frank.Lombardi	
± .XXXX	± .001		DATE:	4/14/2016	
DO NOT SCALE DRAWING			SIZE:	B	
			SCALE:	NTS	
			VER:		
			DWG. NO.:	1035092	
			REV:	A	
MANAGER:				© 2011 VALUE PLASTICS, INC	
Huadong Lou				SHEET: 1 OF 1	

FOR REFERENCE ONLY