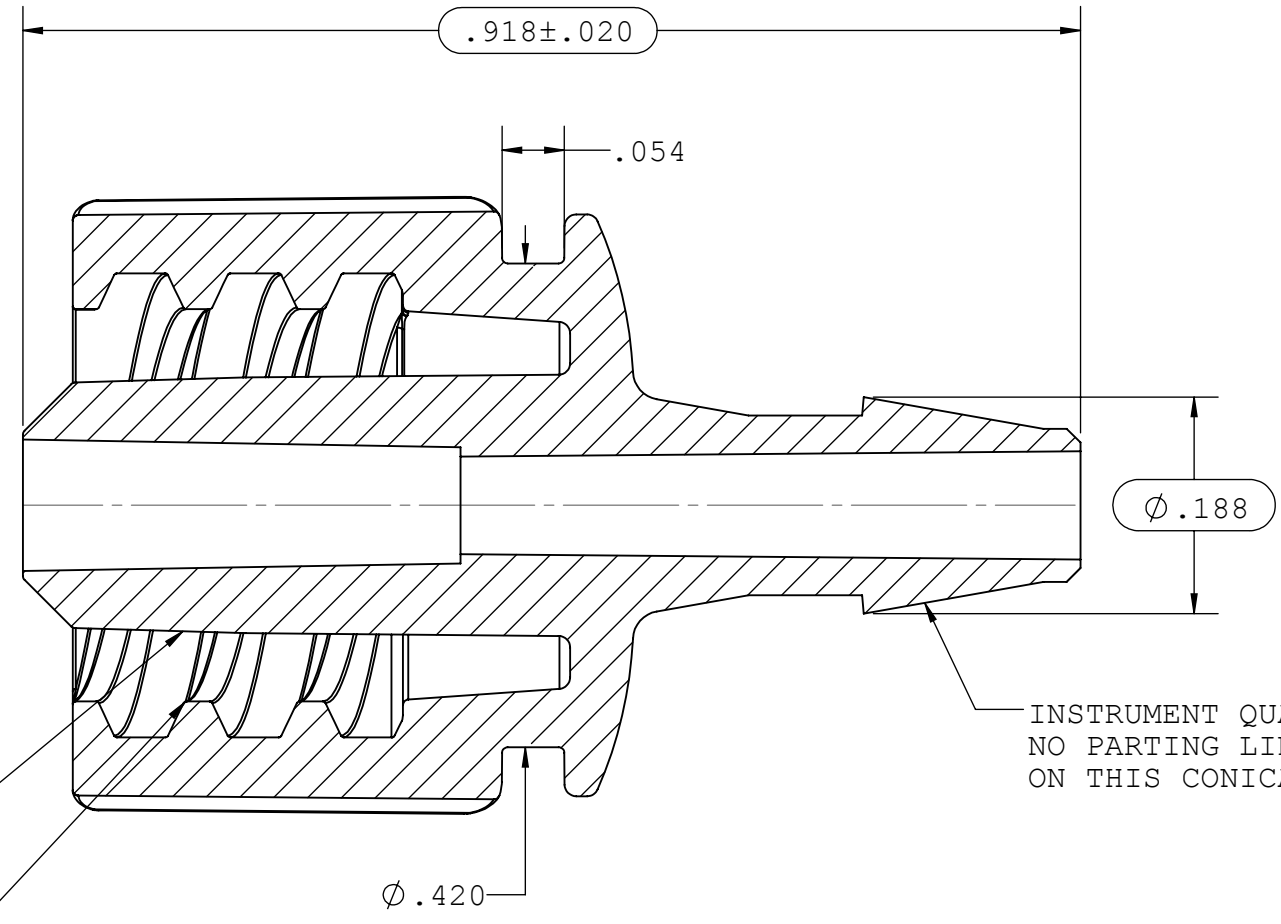
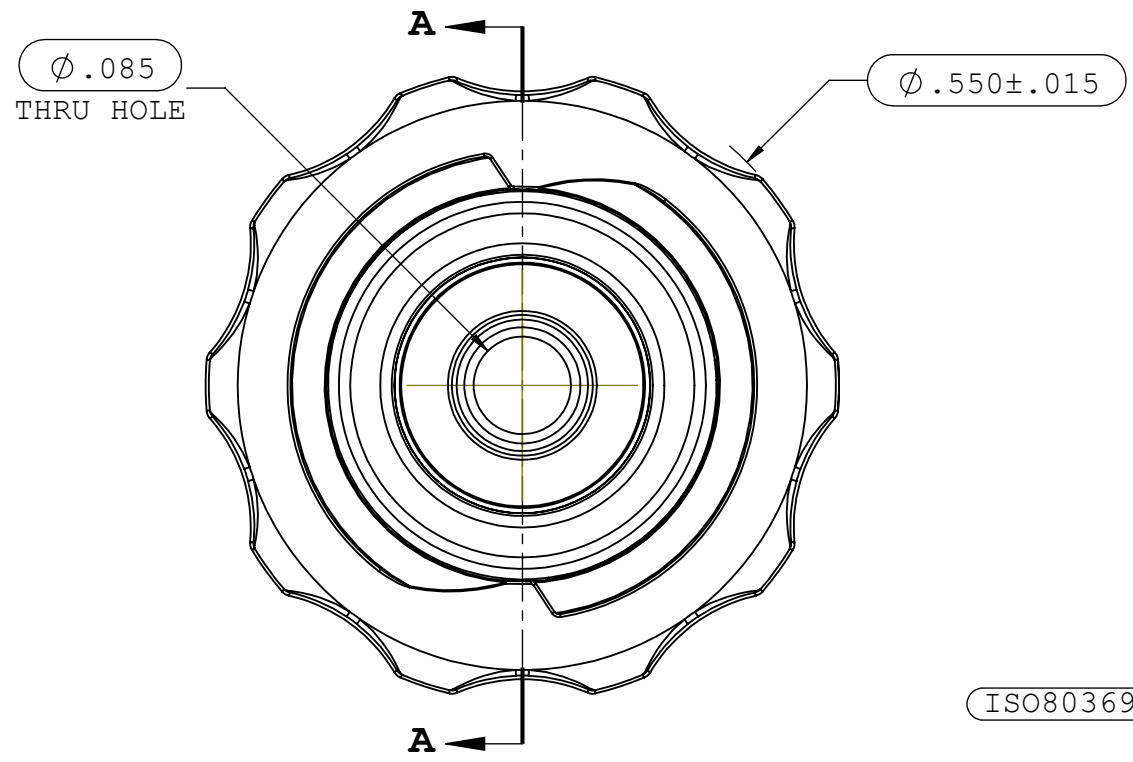


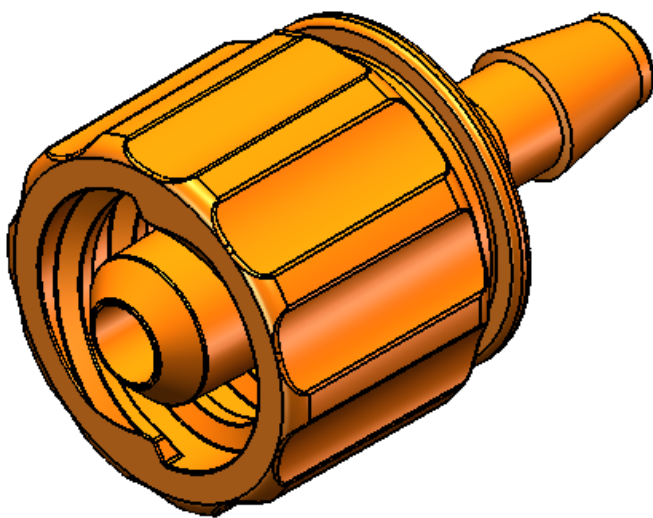
NOTES: FOR ADDITIONAL DETAILS, PLEASE CONTACT VP CUSTOMER SERVICE
 DIMENSIONS MARKED ϕ ARE CONTROL DIMENSIONS

REVISIONS			
REV.	DESCRIPTION	DATE	APPROVED
A	INITIAL RELEASE	12-11-15	H.L



INSTRUMENT QUALITY PART.
 NO PARTING LINE PERMITTED
 ON THIS CONICAL SURFACE

SECTION A-A



UNLESS OTHERWISE SPECIFIED DIMENSIONS ARE IN INCHES TOLERANCES ARE:		VALUE PLASTICS, INC			
FRACTIONS DECIMAL ANGULAR ± .XX ±.01 ± 1° .XXX ±.005 .XXXX ±.001		PART NUMBER: ENTM230			
DO NOT SCALE DRAWING		DESCRIPTION: ISO 80369-3 Enteral Feeding Male Connector to 200 Series Barb, 1/8" (3.2 mm) ID Tubing			
DRAWN BY: Frank.Lombardi	DATE: 12/21/2015	SIZE: B	SCALE: NTS	VER: 	DWG. NO. 1035091
MANAGER: Lou Huadong		© 2011 VALUE PLASTICS, INC			REV A
				SHEET: 1 OF 1	

FOR REFERENCE ONLY