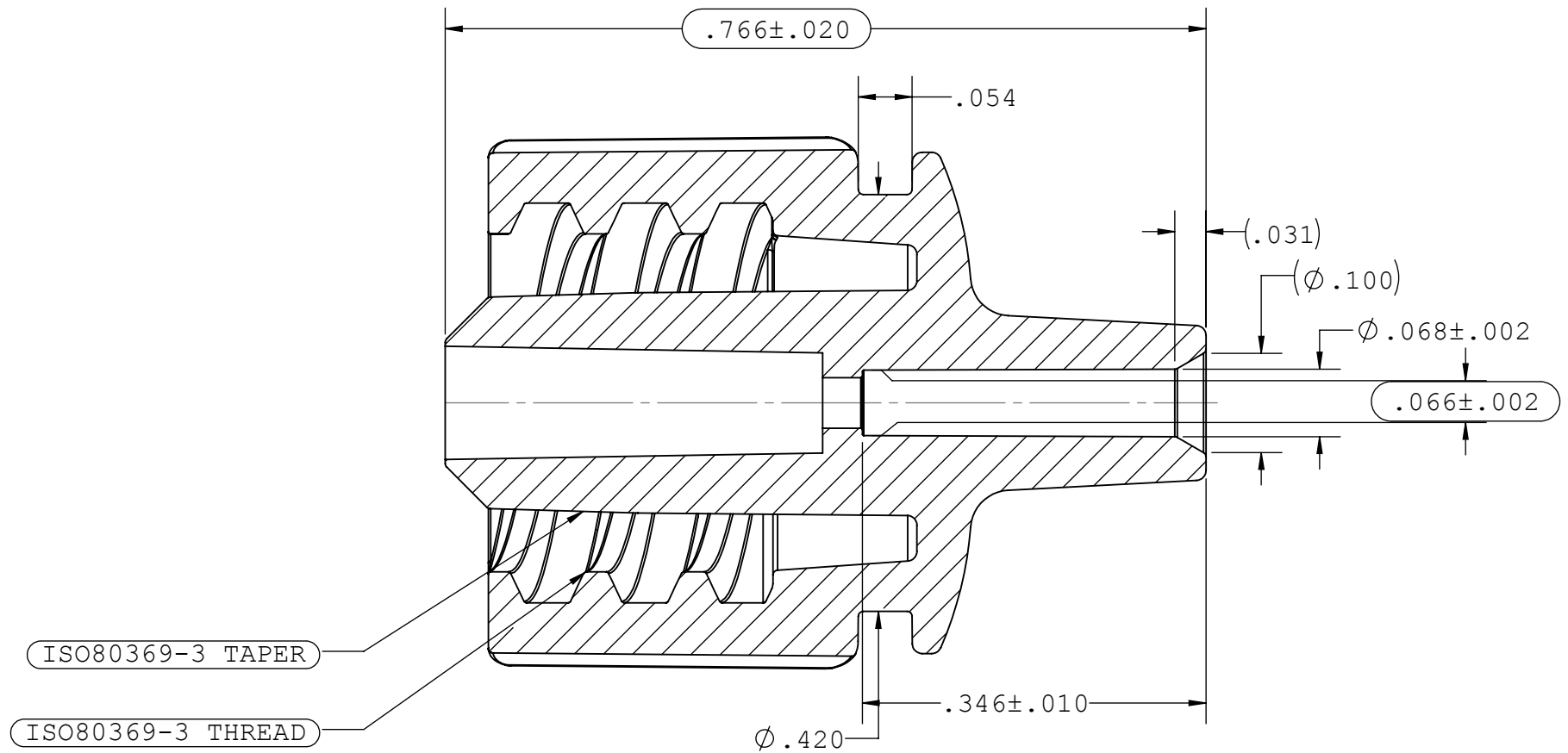
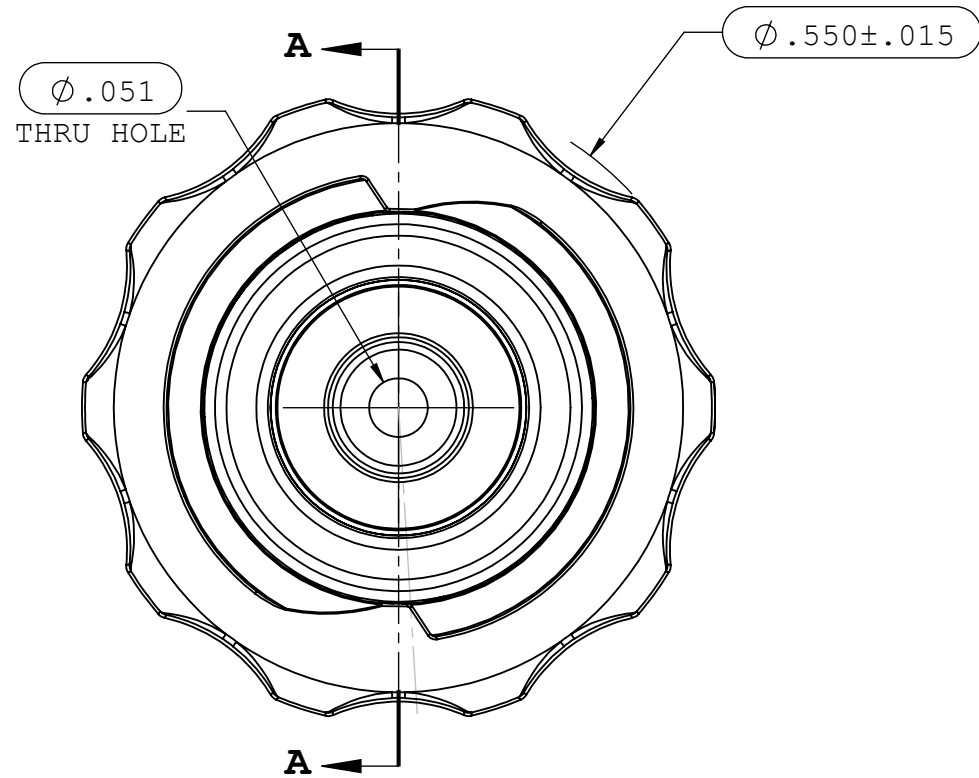
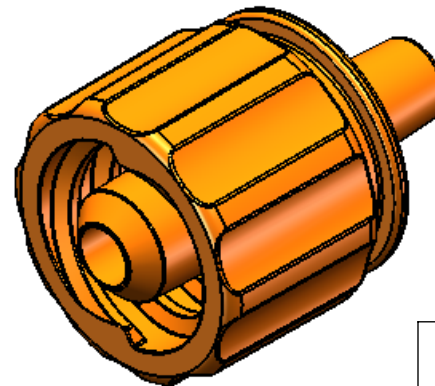


NOTES: FOR ADDITIONAL DETAILS, PLEASE CONTACT VP CUSTOMER SERVICE  
 DIMENSIONS MARKED  $\varnothing$  ARE CONTROL DIMENSIONS

REVISIONS			
REV.	DESCRIPTION	DATE	APPROVED
A	INITIAL RELEASE	12-11-15	H.L



SECTION A-A



UNLESS OTHERWISE SPECIFIED DIMENSIONS ARE IN INCHES TOLERANCES ARE:		<b>VALUE PLASTICS, INC</b>					
FRACTIONS	DECIMAL					ANGULAR	
$\pm$	.XX $\pm .01$	$\pm 1^\circ$	PART NUMBER: ENTME050				
	.XXX $\pm .005$		DESCRIPTION: ISO 80369-3 Enteral Feeding Male Connector, Socket for 5 Fr. Tubing				
	.XXXX $\pm .001$		SIZE: <b>B</b>	SCALE: NTS	VER:	DWG. NO. 1035207	REV: A
DO NOT SCALE DRAWING		DRAWN BY: Frank.Lombardi		DATE: 12/21/2015		© 2011 VALUE PLASTICS, INC	
MANAGER: Lou Huadong		SIZE: <b>B</b>		SCALE: NTS		SHEET: 1 OF 1	

**FOR REFERENCE ONLY**