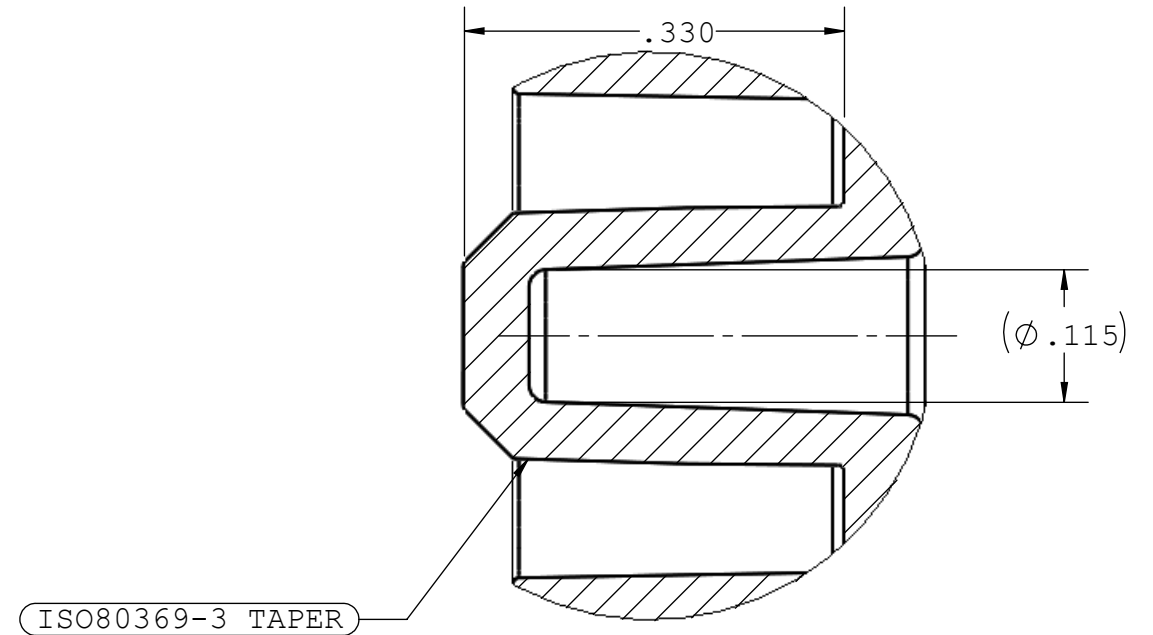
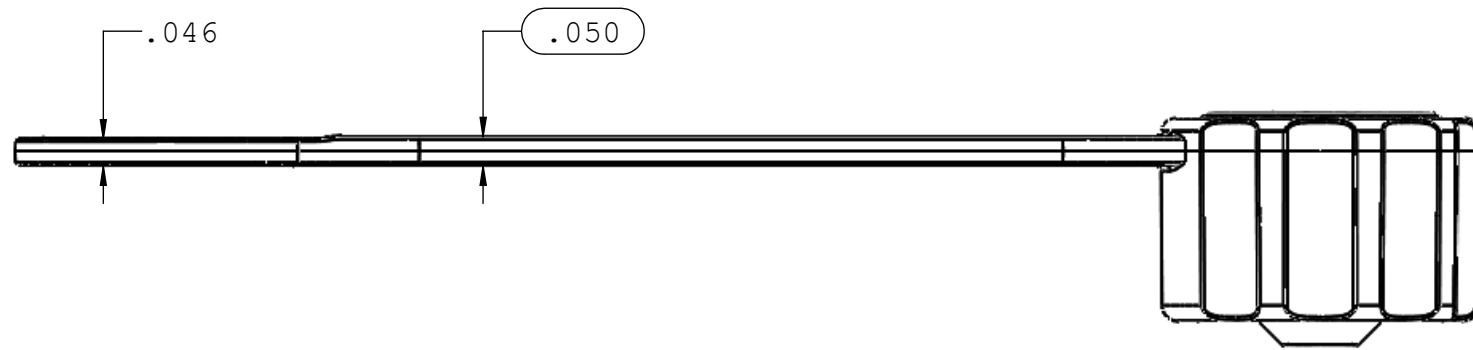
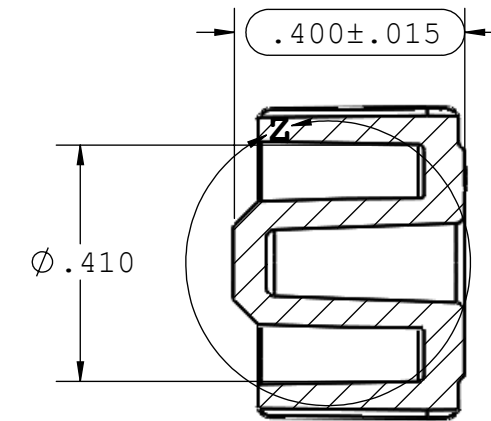
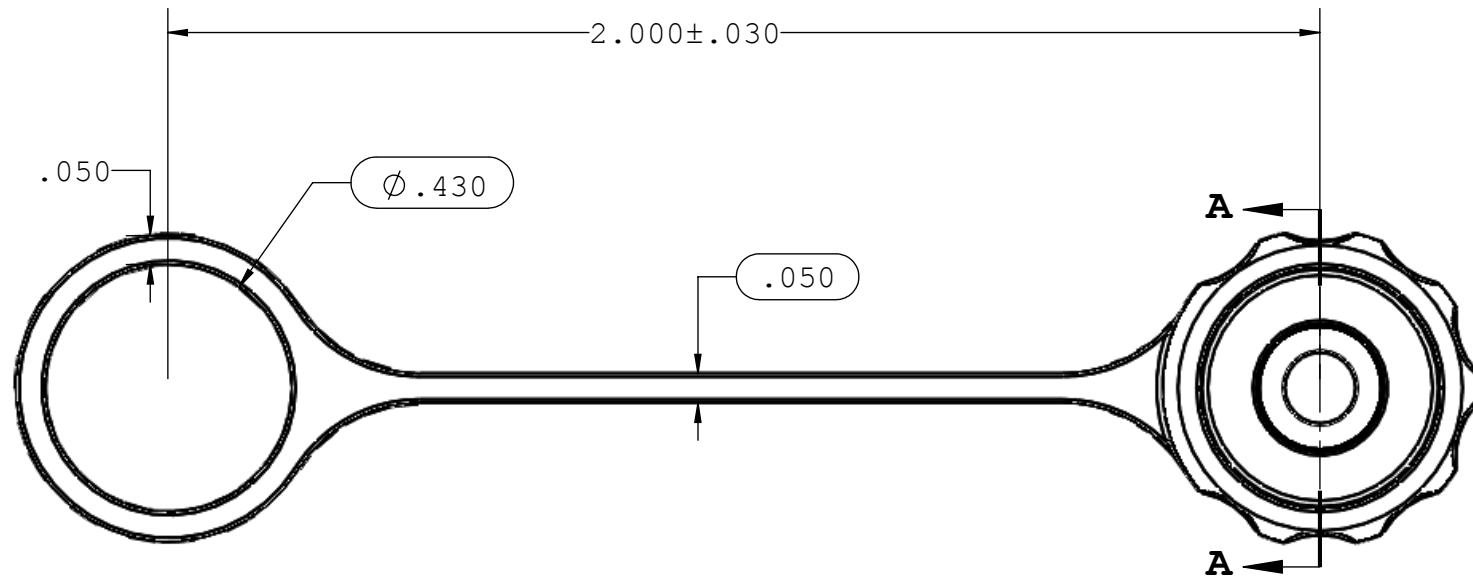


NOTES: FOR ADDITIONAL DETAILS, PLEASE CONTACT VP CUSTOMER SERVICE
 DIMENSIONS MARKED $\text{\textcircled{\hspace{1em}}}$ ARE CONTROL DIMENSIONS

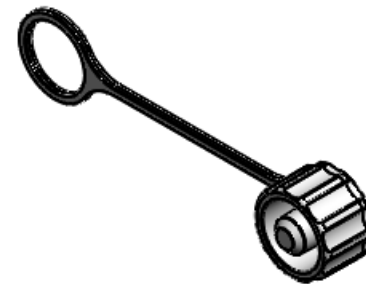
REVISIONS			
REV.	DESCRIPTION	DATE	APPROVED
A	INITIAL RELEASE	02-10-16	H.L



DETAIL Z



SECTION A-A



UNLESS OTHERWISE SPECIFIED DIMENSIONS ARE IN INCHES TOLERANCES ARE:		VALUE PLASTICS, INC					
FRACTIONS	DECIMAL					ANGULAR	
±	.XX ±.01	± 1°	PART NUMBER: ENTMTP				
	.XXX ±.005		DESCRIPTION: ISO80369-3 Tethered Plug				
	.XXXX ±.001		DRAWN BY: Frank.Lombardi				
DO NOT SCALE DRAWING		DATE: 2/18/2016	SIZE: B	SCALE: NTS	VER:	DWG. NO. 1035089	REV: A
MANAGER: huadong.lou		© 2014 VALUE PLASTICS, INC			SHEET: 1 OF 1		

FOR REFERENCE ONLY