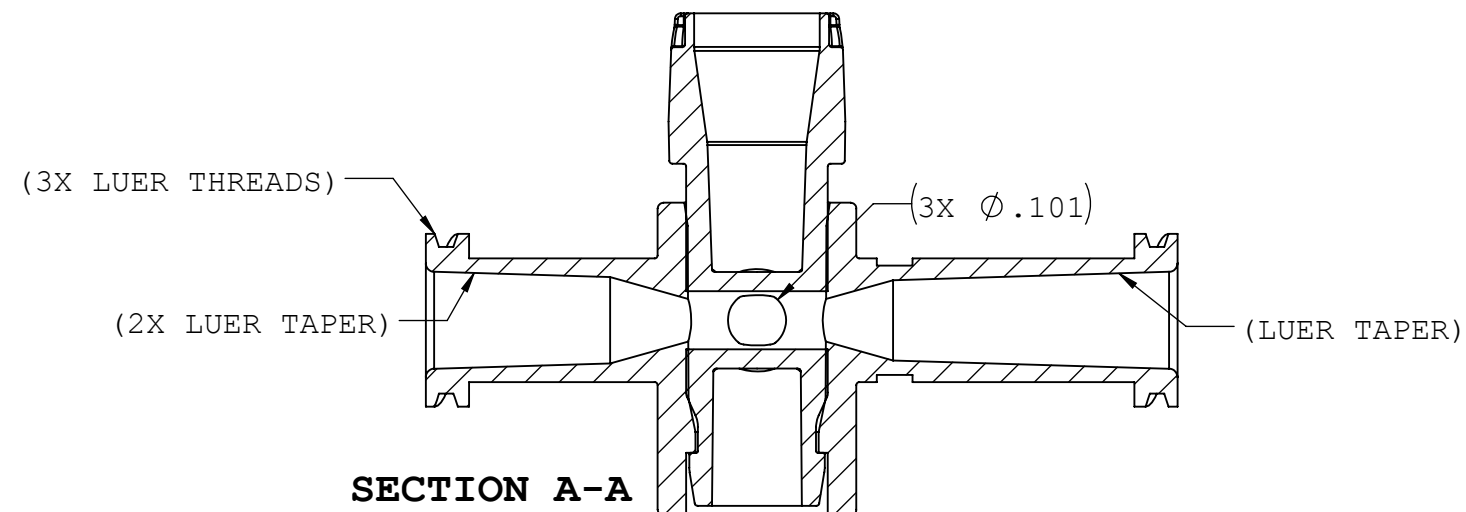
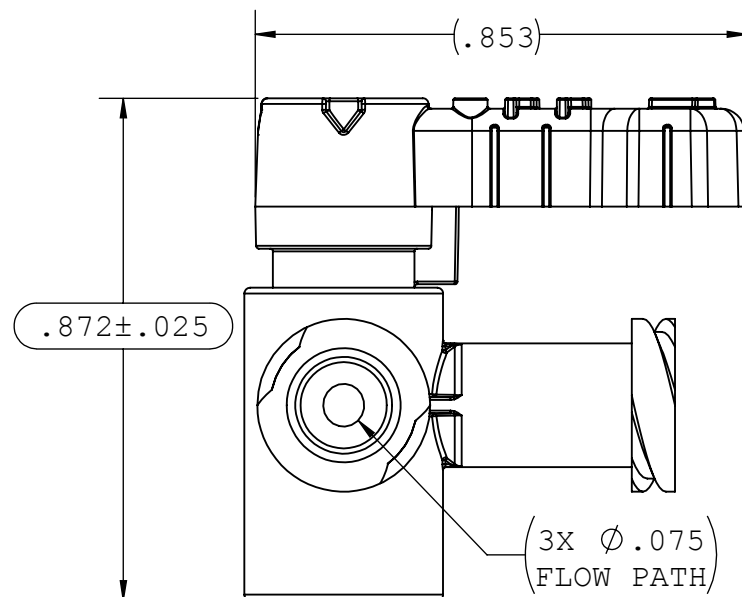
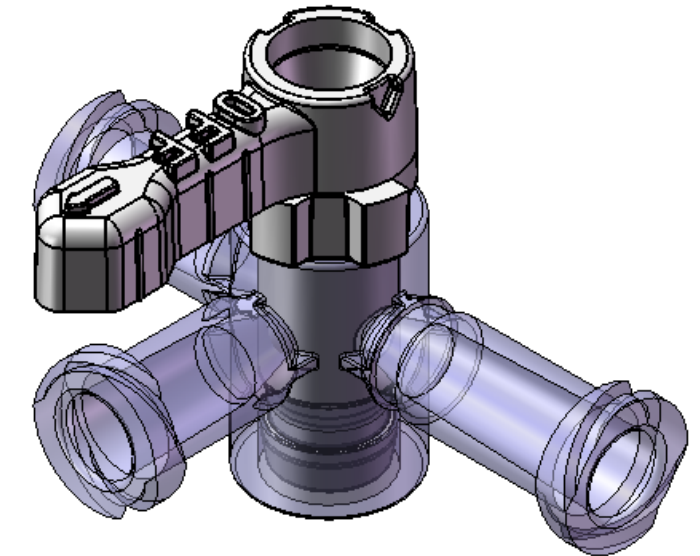
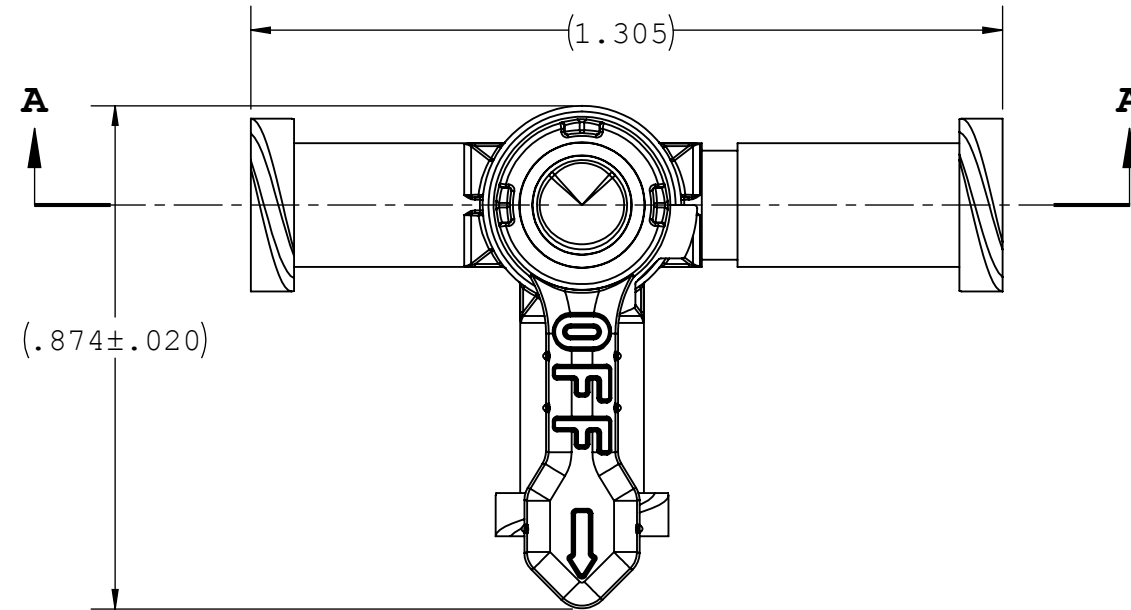


NOTES: FOR ADDITIONAL DETAILS, PLEASE CONTACT VP CUSTOMER SERVICE
 DIMENSIONS MARKED \square ARE CONTROL DIMENSIONS

PARTS ARE ASSEMBLED IN THE ORIENTATION SHOWN ON THE DRAWING

ANGLE ALLOWANCE OF DIVERTER ± 10 DEGREES

REVISIONS			
REV.	DESCRIPTION	DATE	APPROVED
A	INITIAL RELEASE	04/18/15	K.R.S.
B	ECO 311	03/15/16	K.R.S.



UNLESS OTHERWISE SPECIFIED DIMENSIONS ARE IN INCHES TOLERANCES ARE:		VALUE PLASTICS, INC			
FRACTIONS DECIMAL ANGULAR \pm .XX \pm .01 \pm 1° .XXX \pm .005 .XXXX \pm .001		PART NUMBER: FC4LB3F			
DO NOT SCALE DRAWING		DESCRIPTION: STOPCOCKS, 4-WAY, FL ON ALL PORTS, LG BORE			
DRAWN BY: Marie M.J.	DATE: 3/15/2016	SIZE: B	SCALE: NTS	VER: 	DWG. NO. 1032448
MANAGER: kyles		© 2014 VALUE PLASTICS, INC			REV B
					SHEET: 1 OF 1

FOR REFERENCE ONLY