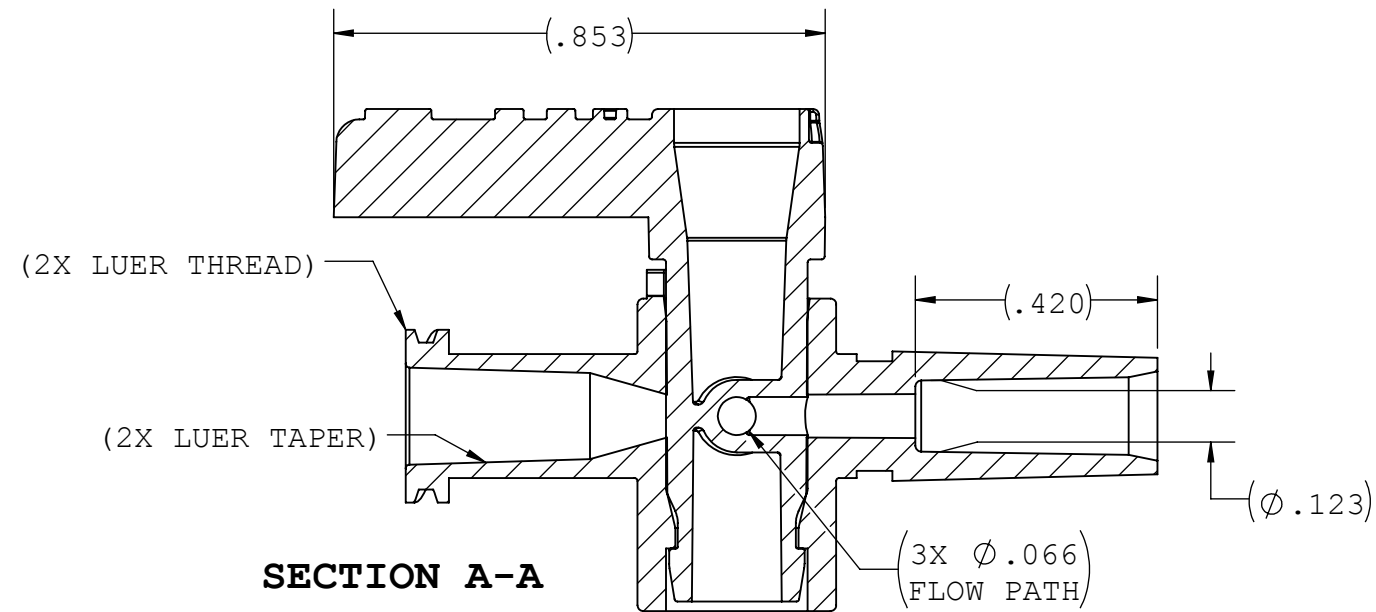
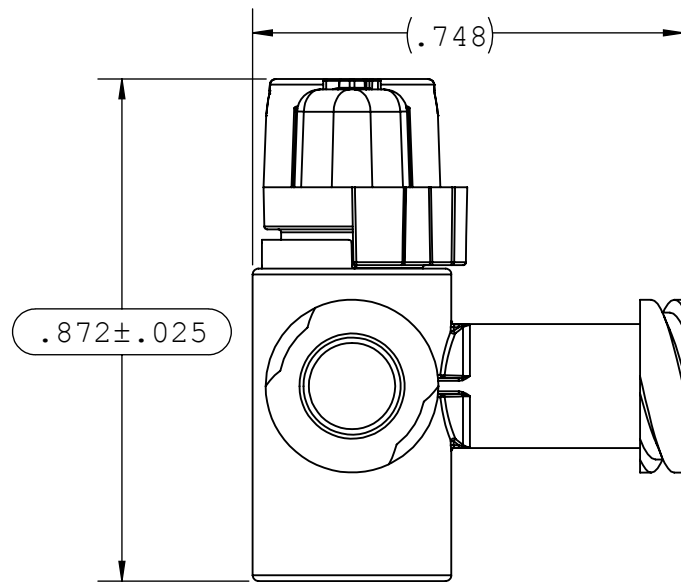
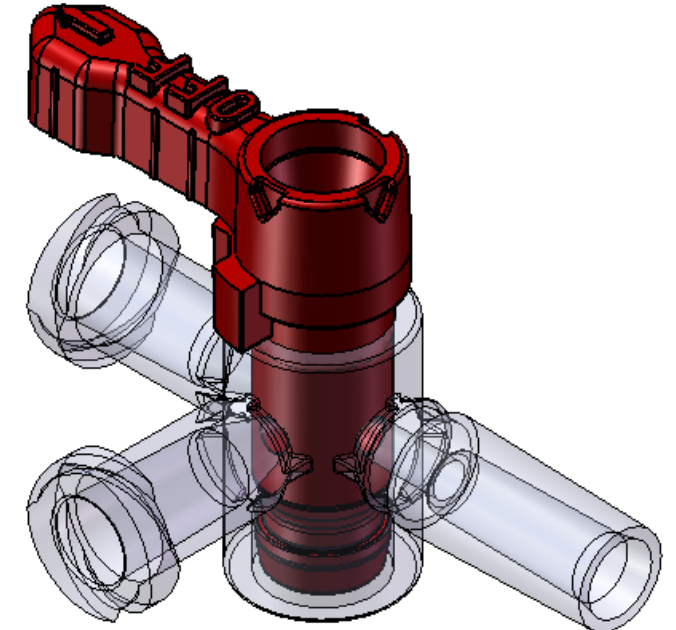
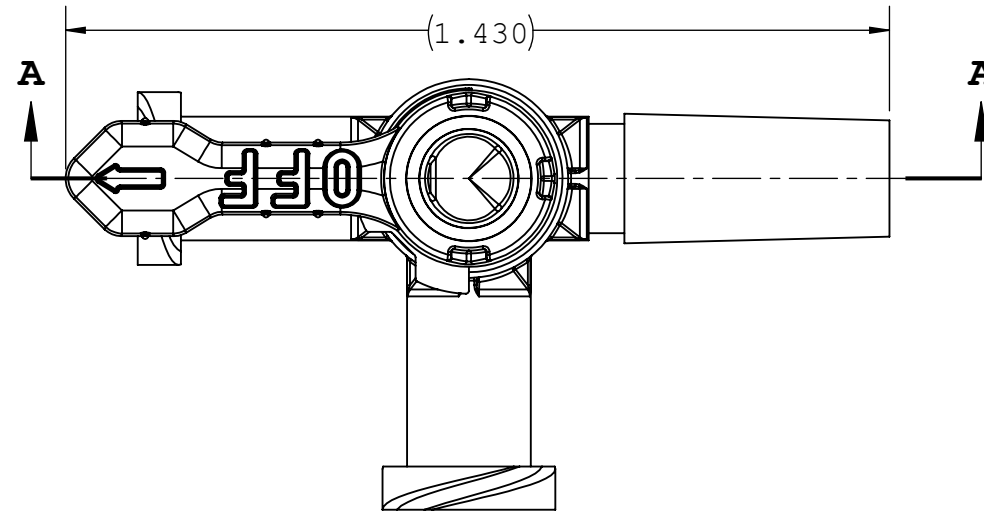


NOTES: FOR ADDITIONAL DETAILS, PLEASE CONTACT VP CUSTOMER SERVICE
 DIMENSIONS MARKED \square ARE CONTROL DIMENSIONS

PARTS ARE ASSEMBLED IN THE ORIENTATION SHOWN ON THE DRAWING

ANGLE ALLOWANCE OF DIVERTER ± 10 DEGREES

REVISIONS			
REV.	DESCRIPTION	DATE	APPROVED
A	INITIAL RELEASE	05/15/15	K.R.S.
B	ECO 311	03/15/16	K.R.S.



UNLESS OTHERWISE SPECIFIED DIMENSIONS ARE IN INCHES TOLERANCES ARE:		VALUE PLASTICS, INC					
FRACTIONS	DECIMAL					ANGULAR	
\pm	.XX $\pm .01$	$\pm 1^\circ$	PART NUMBER: FCFFM-002				
	.XXX $\pm .005$		DESCRIPTION: STOPCOCK, 3-WAY, FL TO FL TO BONDABLE SOCKET				
	.XXXX $\pm .001$		SIZE: B	SCALE: NTS	VER:	DWG. NO. 1032437	REV: B
DO NOT SCALE DRAWING		DRAWN BY: marie.morleyjahn		DATE: 3/15/2016		© 2014 VALUE PLASTICS, INC	
MANAGER: kyles		SHEET: 1 OF 1					

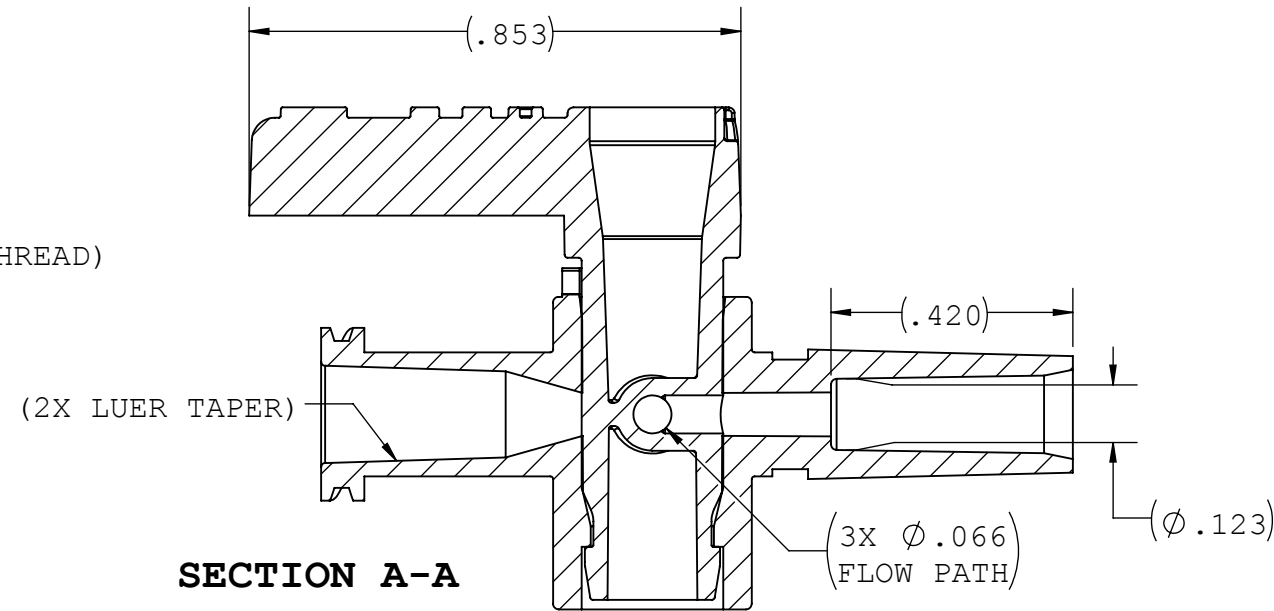
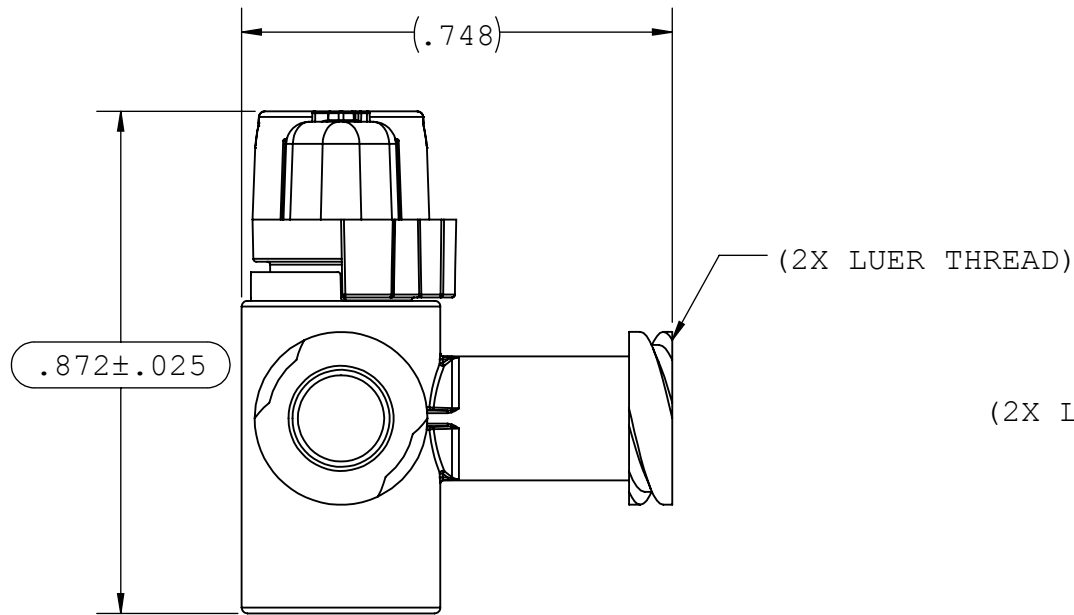
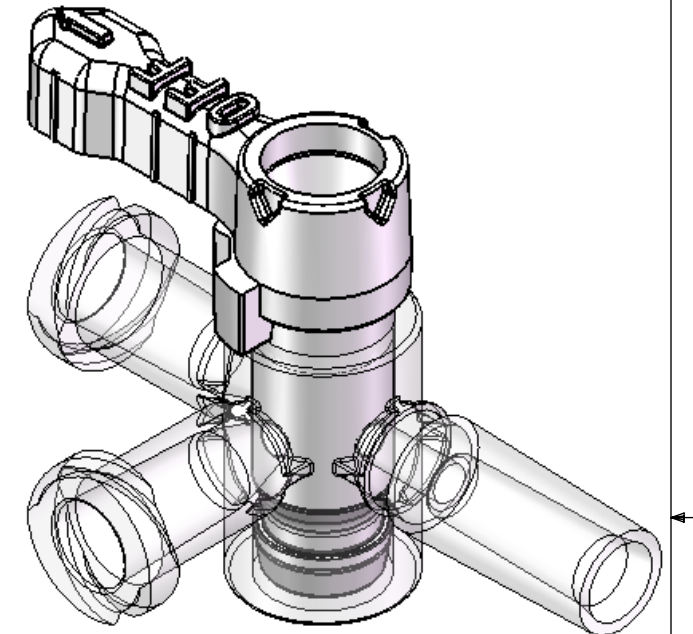
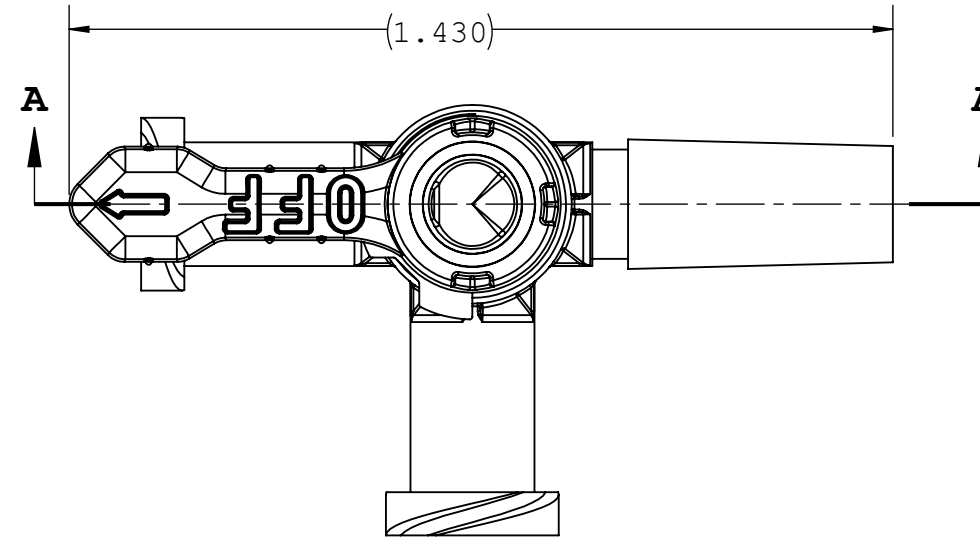
FOR REFERENCE ONLY

NOTES: FOR ADDITIONAL DETAILS, PLEASE CONTACT VP CUSTOMER SERVICE
 DIMENSIONS MARKED \square ARE CONTROL DIMENSIONS

PARTS ARE ASSEMBLED IN THE ORIENTATION SHOWN ON THE DRAWING

ANGLE ALLOWANCE OF DIVERTER ± 10 DEGREES

REVISIONS			
REV.	DESCRIPTION	DATE	APPROVED
A	INITIAL RELEASE	05/15/15	K.R.S.
B	ECO 311	03/15/16	K.R.S.



UNLESS OTHERWISE SPECIFIED DIMENSIONS ARE IN INCHES TOLERANCES ARE:		VALUE PLASTICS, INC			
FRACTIONS	DECIMAL				
\pm	.XX $\pm .01$	$\pm 1^\circ$	DESCRIPTION:	STOPCOCK, 3-WAY, FL TO FL TO BONDABLE SOCKET	
	.XXX $\pm .005$		SIZE:	B	
	.XXXX $\pm .001$		SCALE:	NTS	
DO NOT SCALE DRAWING		VER:	DWG. NO.	1032419	
DRAWN BY:	DATE:	MANAGER:	REV:	B	
marie.morleyjahn	3/15/2016	kyles	SHEET:	1 OF 1	
© 2014 VALUE PLASTICS, INC					

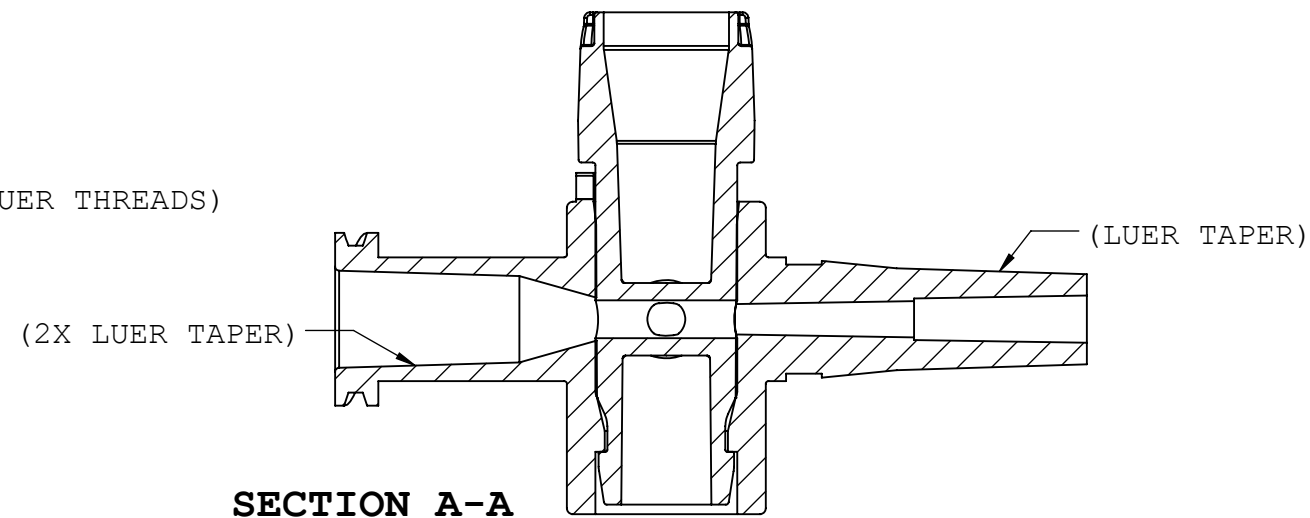
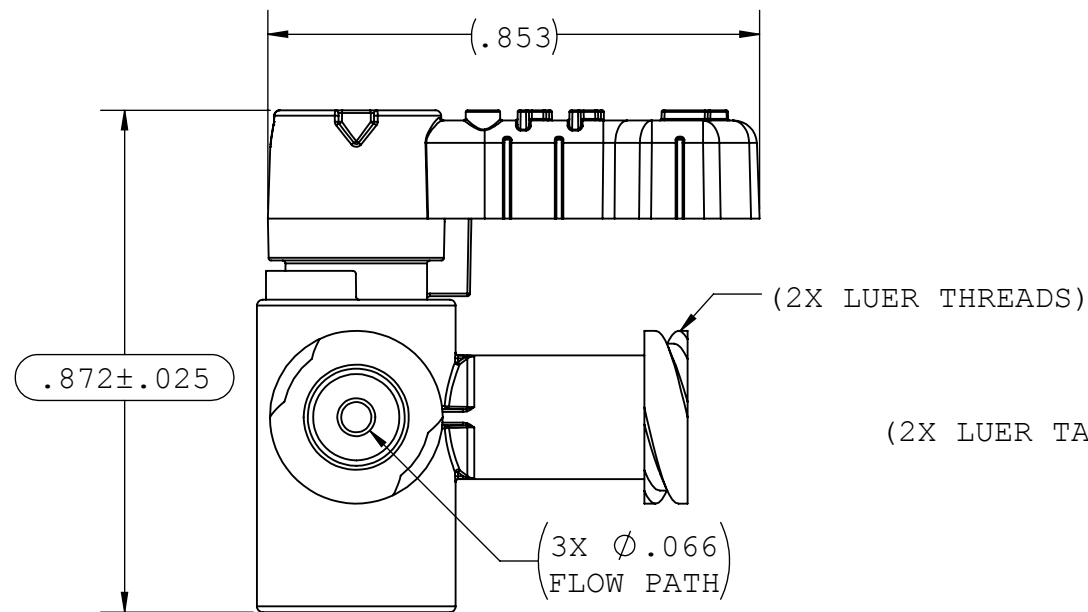
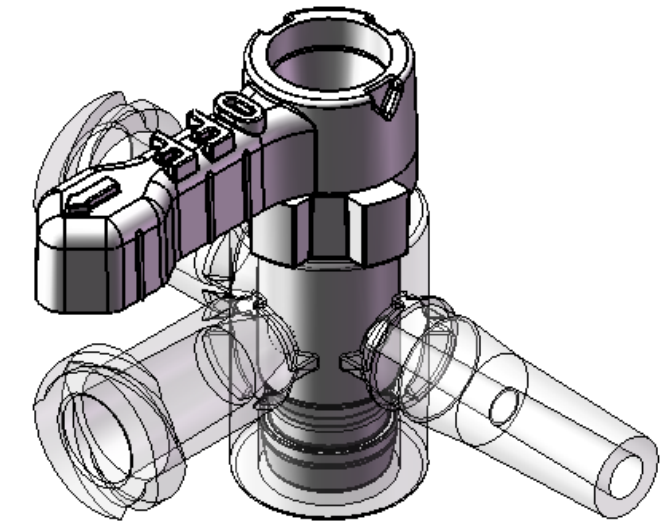
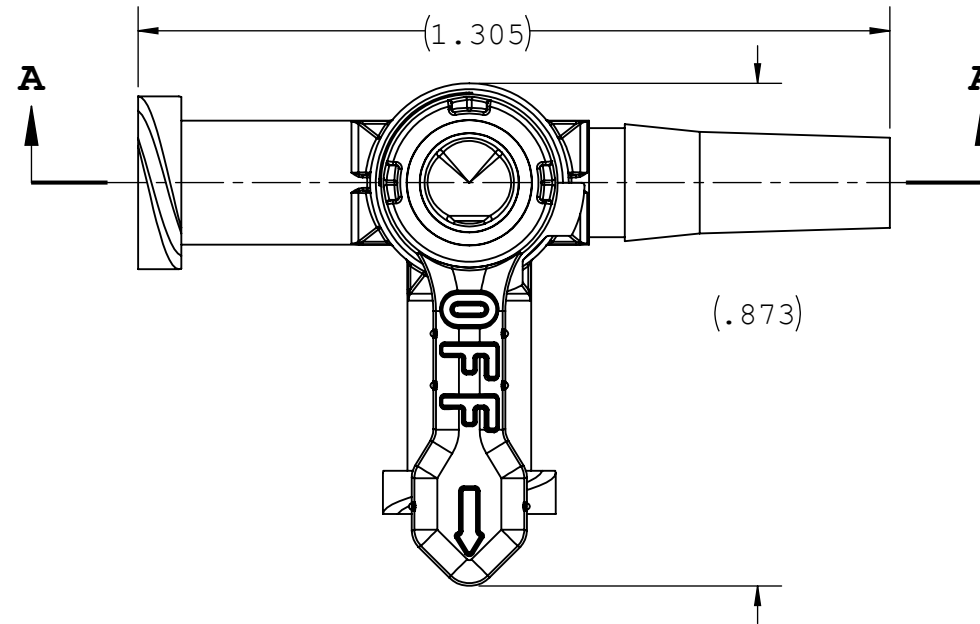
FOR REFERENCE ONLY

NOTES: FOR ADDITIONAL DETAILS, PLEASE CONTACT VP CUSTOMER SERVICE
 DIMENSIONS MARKED \square ARE CONTROL DIMENSIONS

PARTS ARE ASSEMBLED IN THE ORIENTATION SHOWN ON THE DRAWING

ANGLE ALLOWANCE OF DIVERTER ± 10 DEGREES

REVISIONS			
REV.	DESCRIPTION	DATE	APPROVED
A	INITIAL RELEASE	05/15/15	K.R.S.
B	ECO 311	03/15/16	K.R.S.

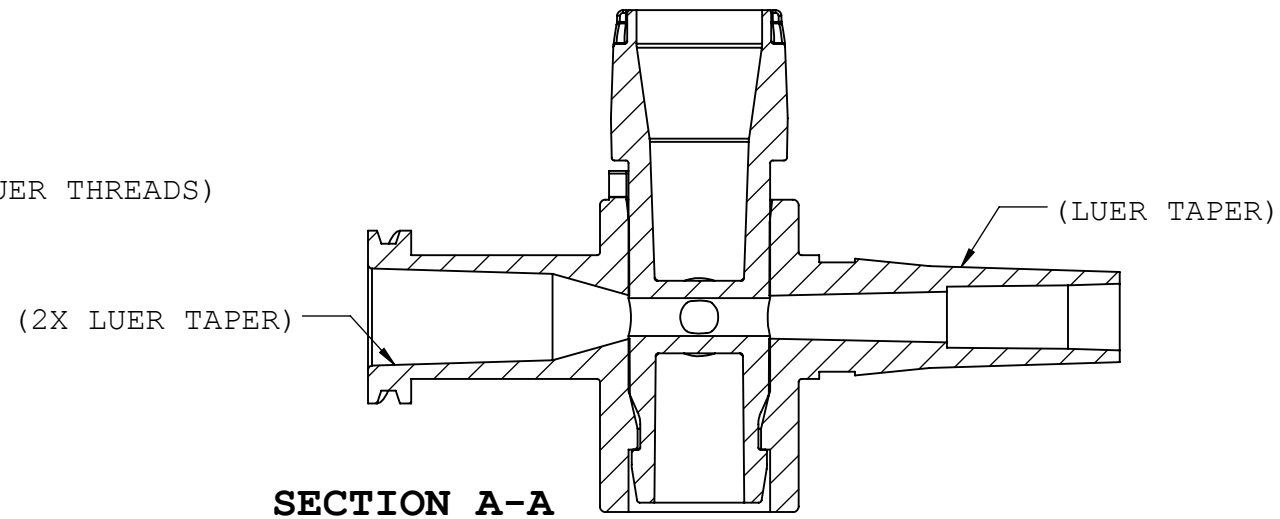
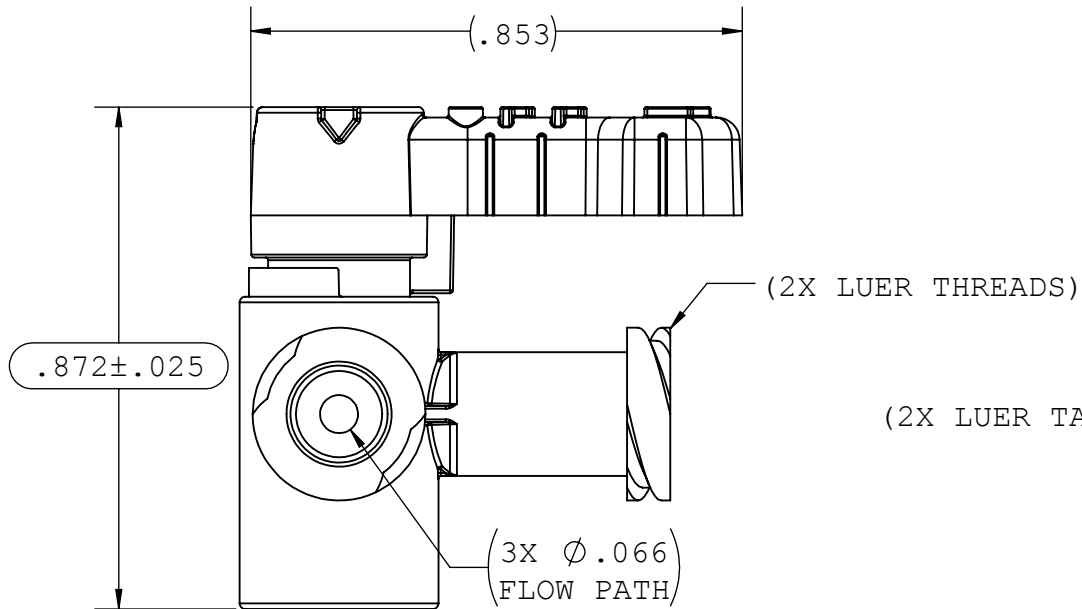
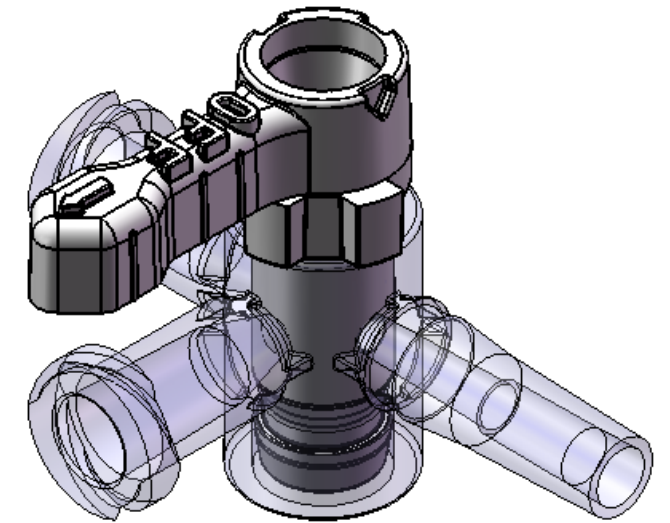
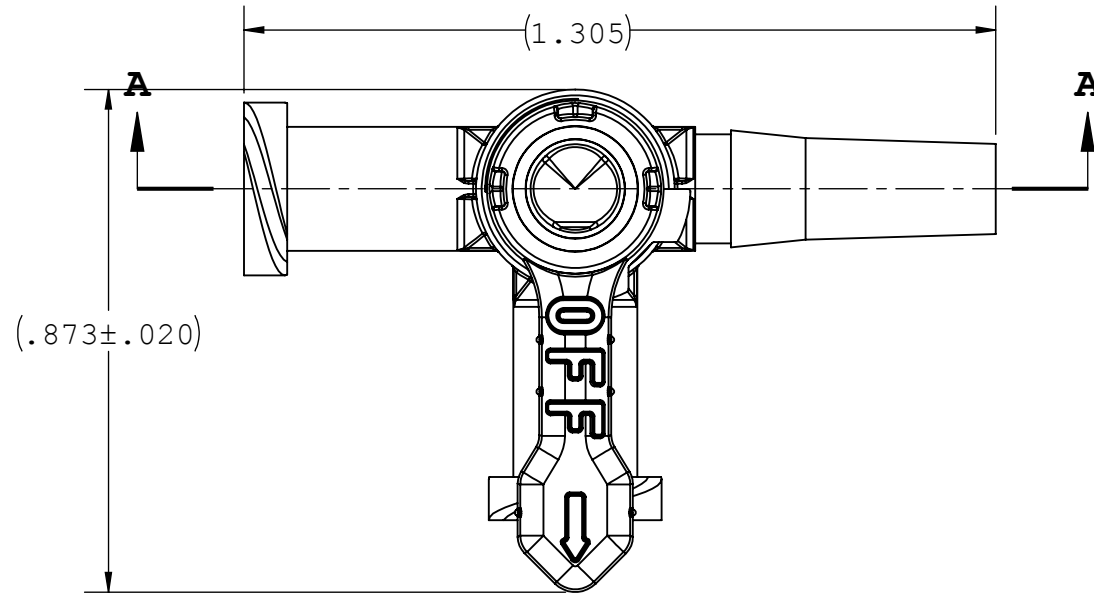


UNLESS OTHERWISE SPECIFIED DIMENSIONS ARE IN INCHES TOLERANCES ARE:		VALUE PLASTICS, INC			
FRACTIONS	DECIMAL				
±	.XX ±.01	± 1°			
	.XXX ±.005				
	.XXXX ±.001				
DO NOT SCALE DRAWING			PART NUMBER: FCFFM-008		
DESCRIPTION: STOPCOCK, 3-WAY, FL TO FL TO ML			DESCRIPTION:		
DRAWN BY: marie.morleyjahn	DATE: 3/15/2016	SIZE: B	SCALE: NTS	VER:	DWG. NO. 1032433
MANAGER: kyles	© 2014 VALUE PLASTICS, INC				REV B
SHEET: 1 OF 1					

FOR REFERENCE ONLY

NOTES: FOR ADDITIONAL DETAILS, PLEASE CONTACT VP CUSTOMER SERVICE
 DIMENSIONS MARKED \square ARE CONTROL DIMENSIONS
 PARTS ARE ASSEMBLED IN THE ORIENTATION SHOWN ON THE DRAWING
 ANGLE ALLOWANCE OF DIVERTER ± 10 DEGREES

REVISIONS			
REV.	DESCRIPTION	DATE	APPROVED
A	INITIAL RELEASE	04/15/15	K.R.S.
B	ECO 311	02/01/16	K.R.S.

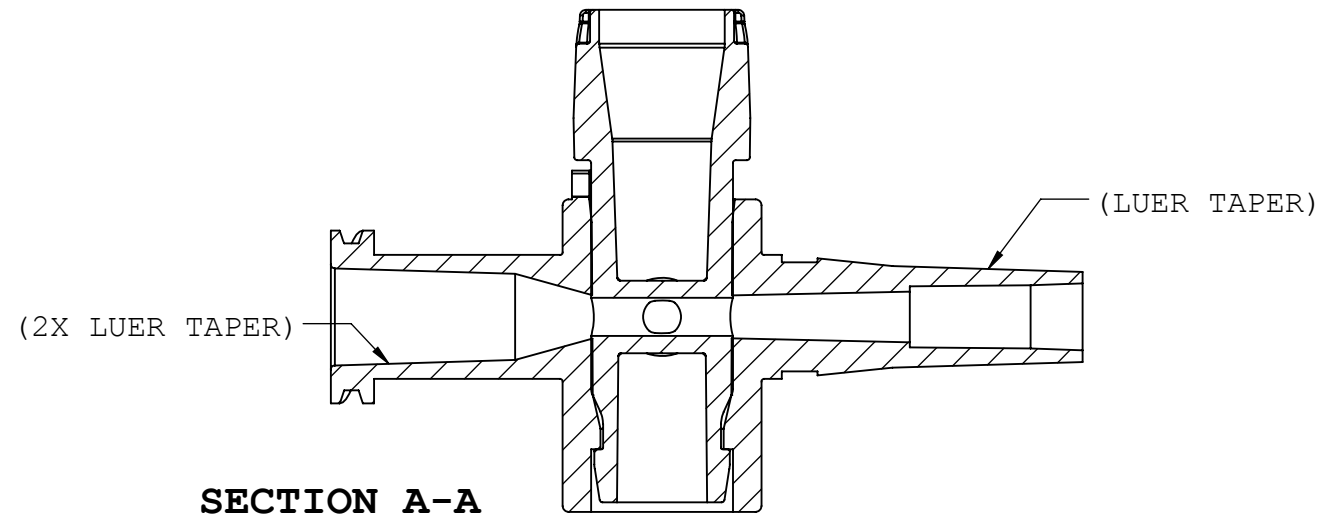
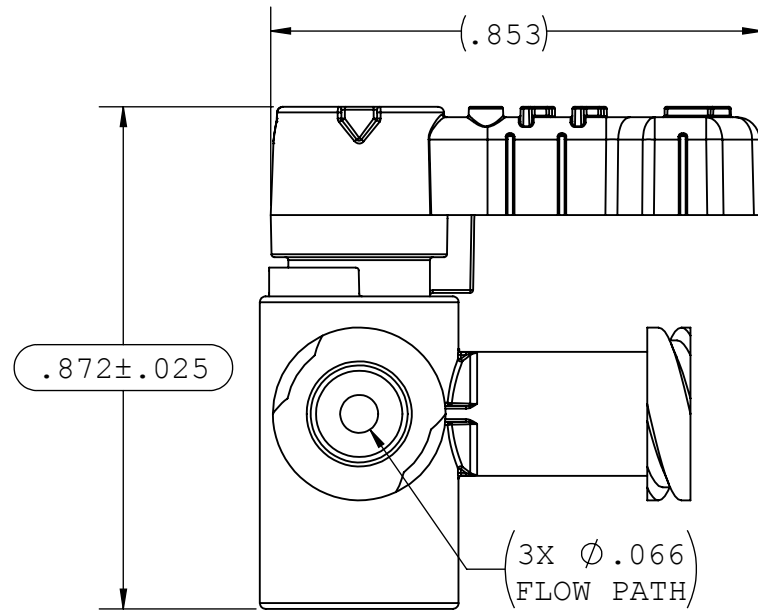
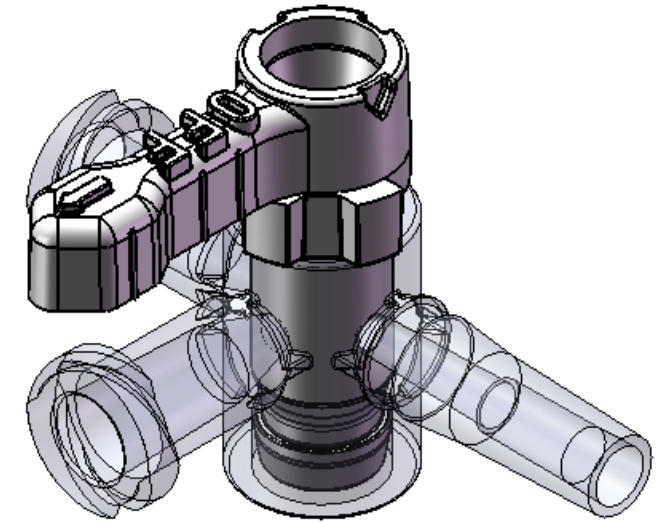
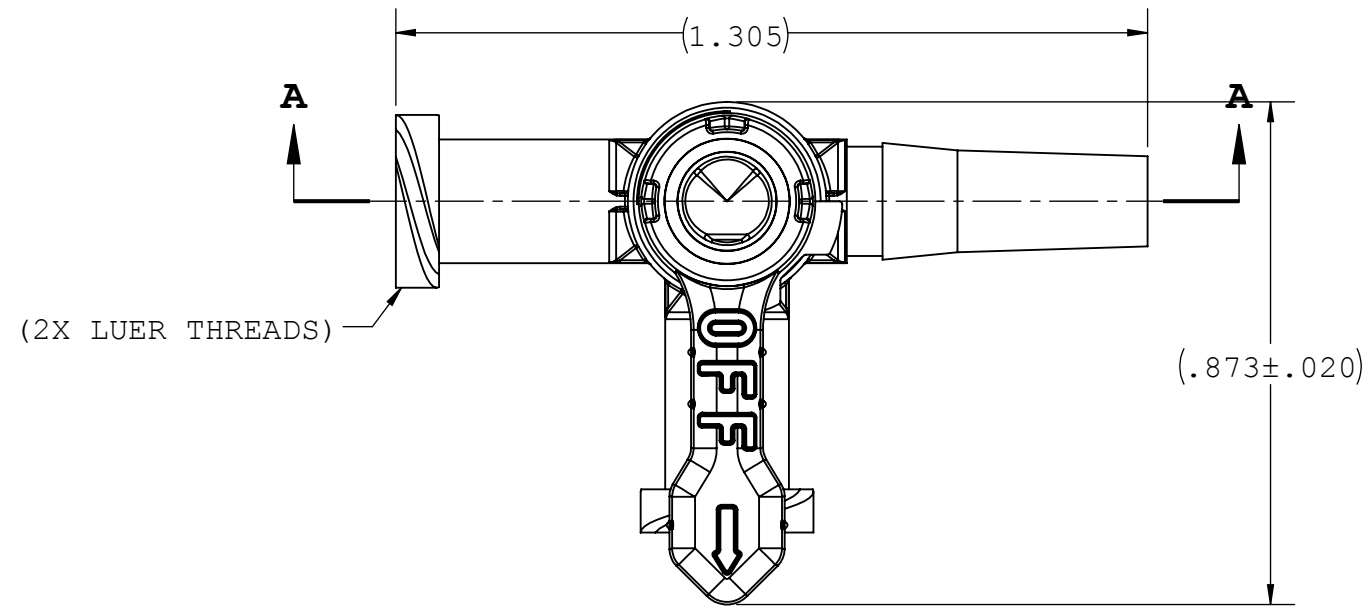


UNLESS OTHERWISE SPECIFIED DIMENSIONS ARE IN INCHES TOLERANCES ARE:		VALUE PLASTICS, INC			
FRACTIONS DECIMAL ANGULAR \pm .XX \pm .01 $\pm 1^\circ$.XXX \pm .005 .XXXX \pm .001		PART NUMBER: FCFFM-009			
DO NOT SCALE DRAWING		DESCRIPTION: STOPCOCK, 3-WAY, FL TO FL TO ML			
DRAWN BY: marie.morleyjahn	DATE: 2/1/2016	SIZE: B	SCALE: NTS	VER: 	DWG. NO. 1032438
MANAGER: kyles		© 2014 VALUE PLASTICS, INC			REV B
				SHEET:	1 OF 1

FOR REFERENCE ONLY

NOTES: FOR ADDITIONAL DETAILS, PLEASE CONTACT VP CUSTOMER SERVICE
 DIMENSIONS MARKED \square ARE CONTROL DIMENSIONS
 PARTS ARE ASSEMBLED IN THE ORIENTATION SHOWN ON THE DRAWING
 ANGLE ALLOWANCE OF DIVERTER ± 10 DEGREES

REVISIONS			
REV.	DESCRIPTION	DATE	APPROVED
A	INITIAL RELEASE	12/18/14	K.R.S.
B	ECO 311	03/15/16	K.R.S.



UNLESS OTHERWISE SPECIFIED DIMENSIONS ARE IN INCHES TOLERANCES ARE:		VALUE PLASTICS, INC			
FRACTIONS DECIMAL ANGULAR \pm .XX \pm .01 $\pm 1^\circ$.XXX \pm .005 .XXXX \pm .001		PART NUMBER: FCFFM-010			
DO NOT SCALE DRAWING		DESCRIPTION: STOPCOCK, 3-WAY, FL TO FL TO ML			
DRAWN BY: marie.morleyjahn	DATE: 3/15/2016	SIZE: B	SCALE: NTS	VER: 	DWG. NO. 1032417
MANAGER: kyles		© 2014 VALUE PLASTICS, INC			REV B
				SHEET:	1 OF 1

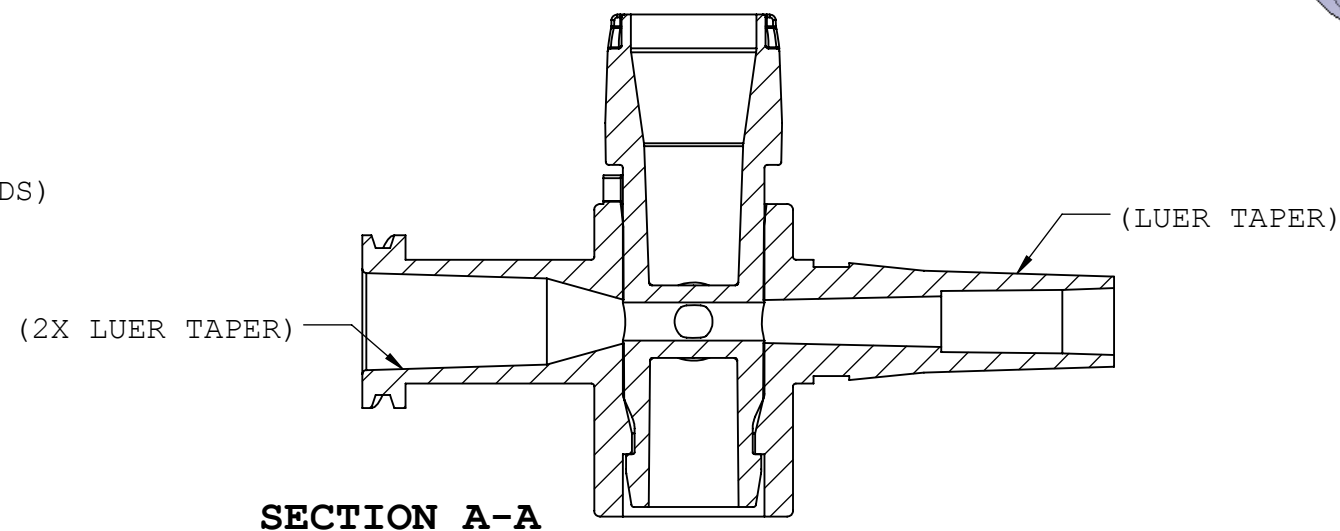
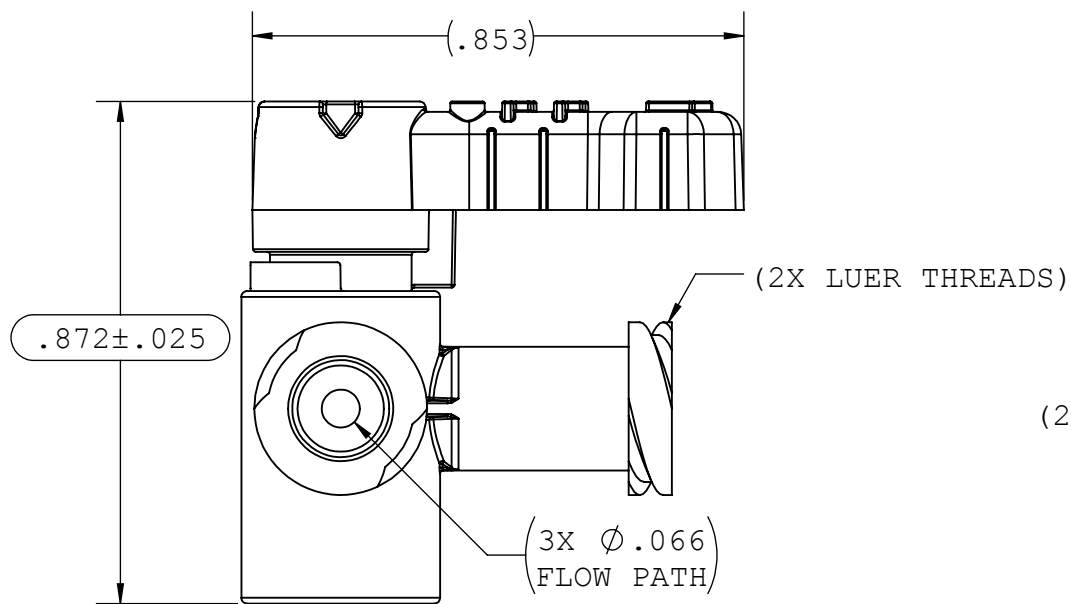
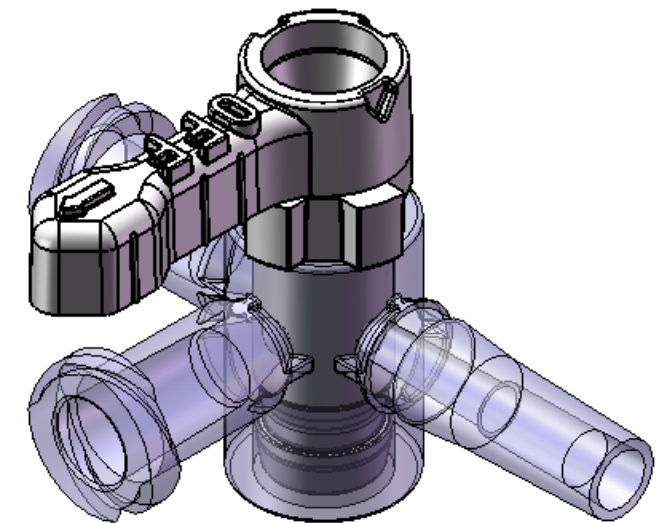
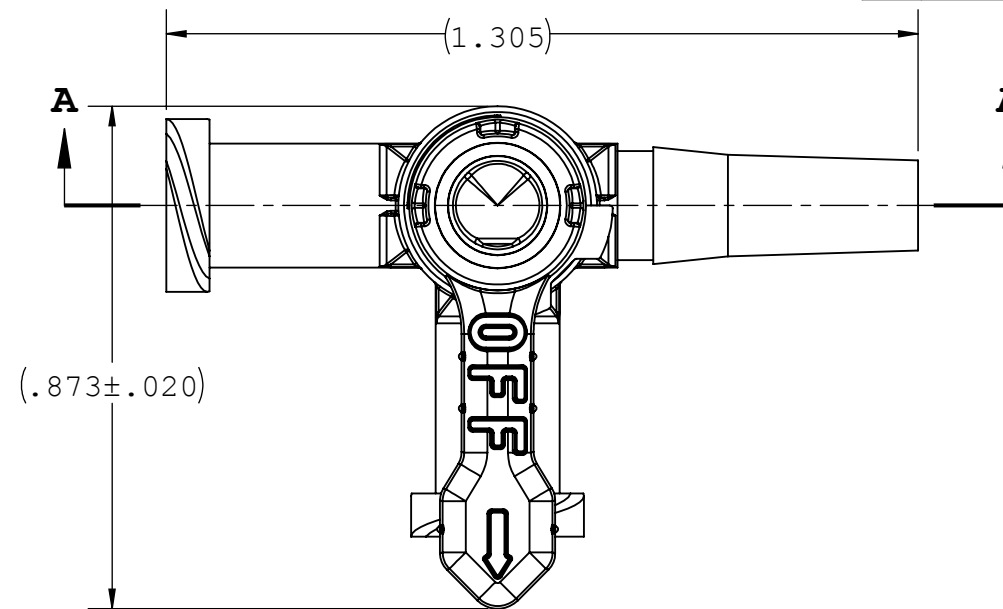
FOR REFERENCE ONLY

NOTES: FOR ADDITIONAL DETAILS, PLEASE CONTACT VP CUSTOMER SERVICE
 DIMENSIONS MARKED $\text{\textcircled{\hspace{1cm}}}$ ARE CONTROL DIMENSIONS

$\text{\textcircled{\hspace{1cm}}}$ PARTS ARE ASSEMBLED IN THE ORIENTATION SHOWN ON THE DRAWING

$\text{\textcircled{\hspace{1cm}}}$ ANGLE ALLOWANCE OF DIVERTER ± 10 DEGREES

REVISIONS			
REV.	DESCRIPTION	DATE	APPROVED
A	INITIAL RELEASE	04/18/15	K.R.S.
B	ECO 311	03/15/16	K.R.S.



UNLESS OTHERWISE SPECIFIED
 DIMENSIONS ARE IN INCHES
 TOLERANCES ARE:

FRACTIONS	DECIMAL	ANGULAR
\pm	.XX \pm .01	$\pm 1^\circ$
	.XXX \pm .005	
	.XXXX \pm .001	

DO NOT SCALE DRAWING

VALUE PLASTICS, INC

PART NUMBER: FCFFM-013

DESCRIPTION: STOPCOCK, 3-WAY, FL TO FL TO ML

DRAWN BY: marie.morleyjahn	DATE: 3/15/2016	SIZE: B	SCALE: NTS	VER:	DWG. NO. 1034426	REV B
MANAGER: kyles					© 2014 VALUE PLASTICS, INC	SHEET: 1 OF 1

FOR REFERENCE ONLY