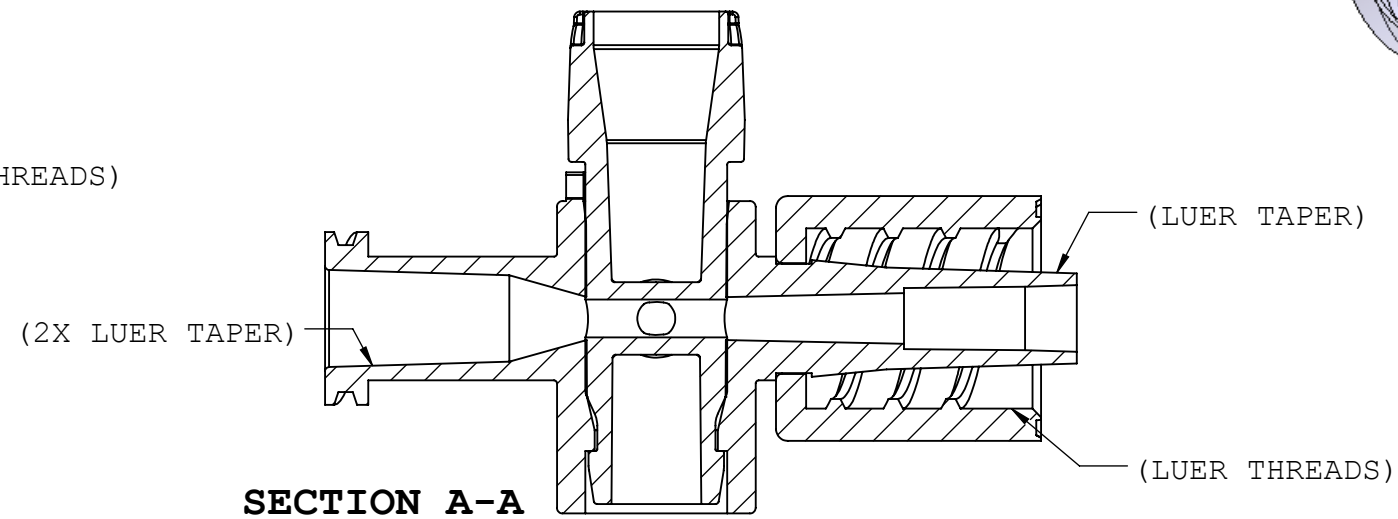
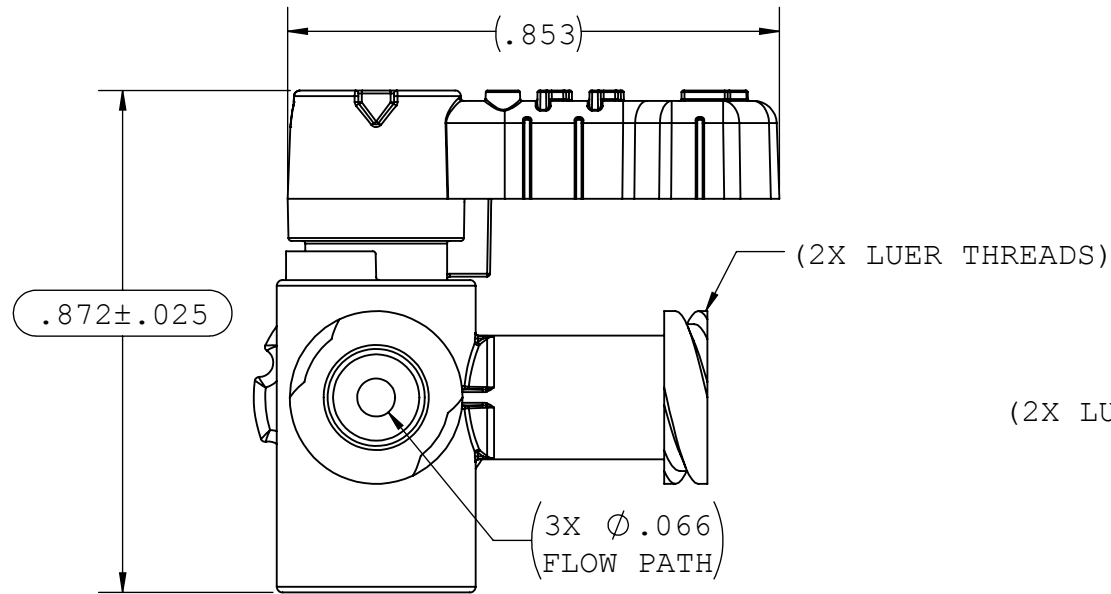
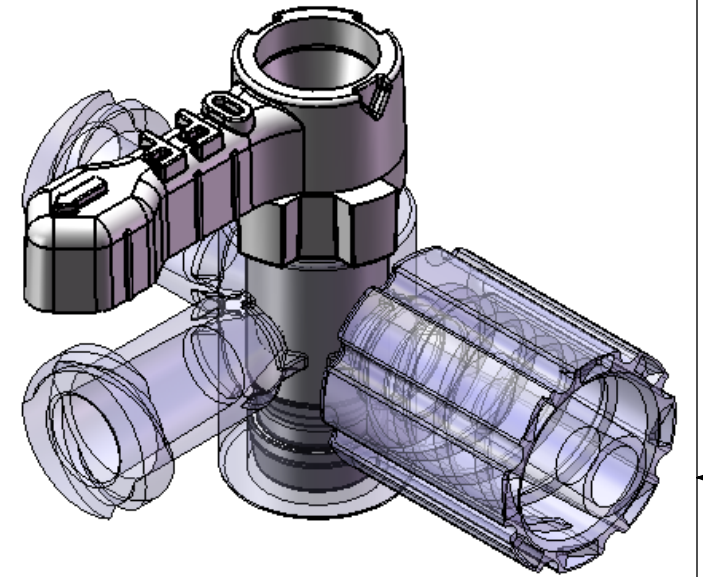
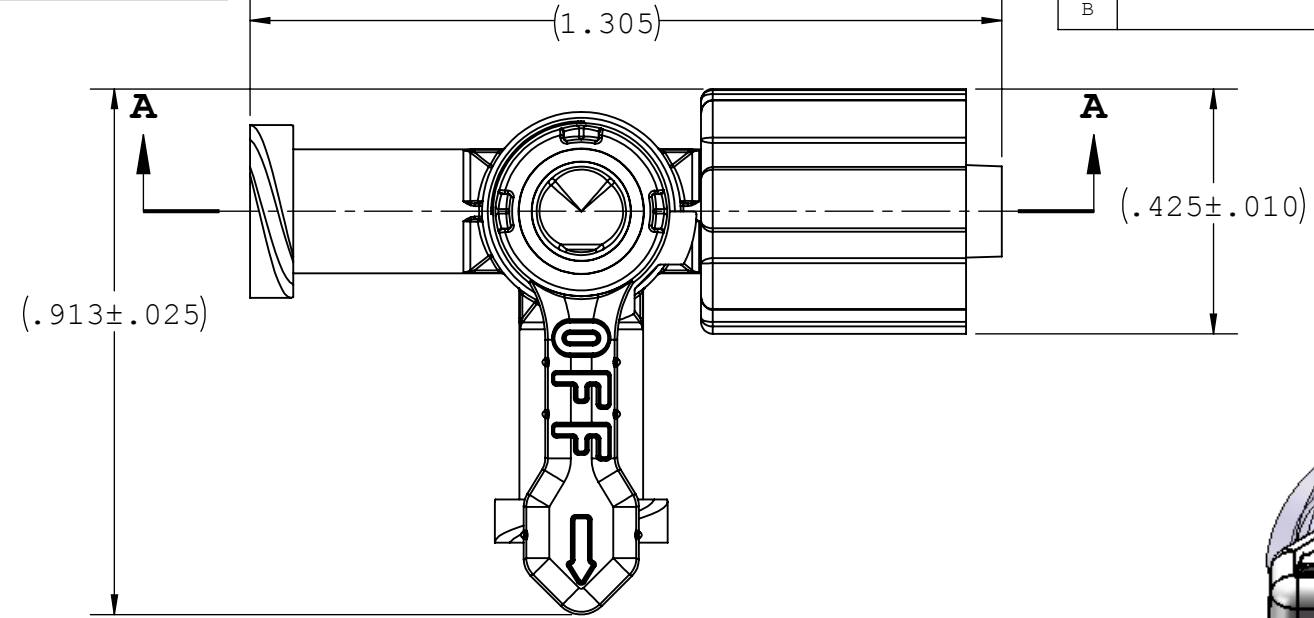


NOTES: FOR ADDITIONAL DETAILS, PLEASE CONTACT VP CUSTOMER SERVICE
 DIMENSIONS MARKED \square ARE CONTROL DIMENSIONS

PARTS ARE ASSEMBLED IN THE ORIENTATION SHOWN ON THE DRAWING

ANGLE ALLOWANCE OF DIVERTER ± 10 DEGREES

REVISIONS			
REV.	DESCRIPTION	DATE	APPROVED
A	INITIAL RELEASE	05/15/15	K.R.S.
B	ECO 311	02/01/16	K.R.S.



UNLESS OTHERWISE SPECIFIED DIMENSIONS ARE IN INCHES TOLERANCES ARE:		VALUE PLASTICS, INC			
FRACTIONS	DECIMAL				
±	.XX ±.01	± 1°	DESCRIPTION:	STOPCOCK, 3-WAY, FL TO FL TO ML, LUER LOCK RING	
	.XXX ±.005		SIZE:	B	
	.XXXX ±.001		SCALE:	NTS	
DO NOT SCALE DRAWING			VER:		
DRAWN BY:	DATE:	DWG. NO.	REV:	B	
marie.morleyjahn	2/1/2016	1032443			
MANAGER:		© 2014 VALUE PLASTICS, INC		SHEET: 1 OF 1	
kyles					

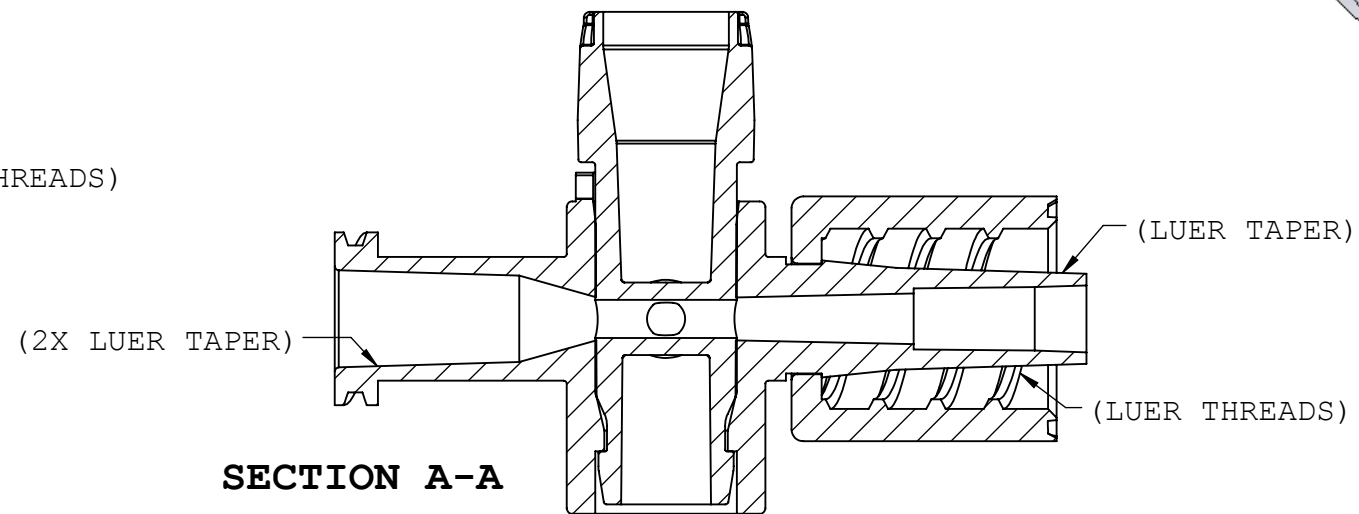
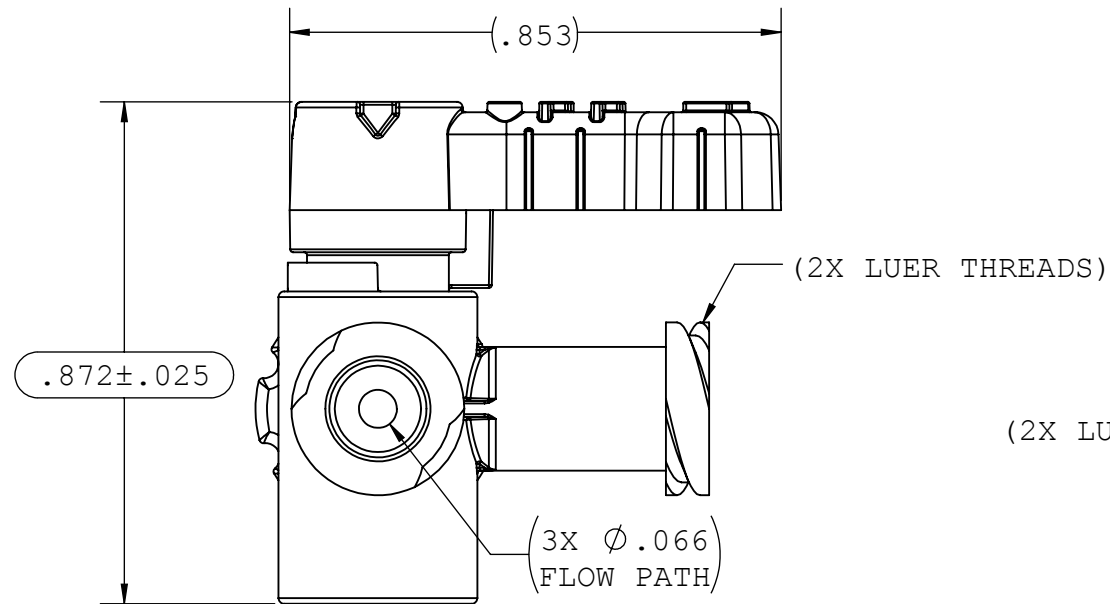
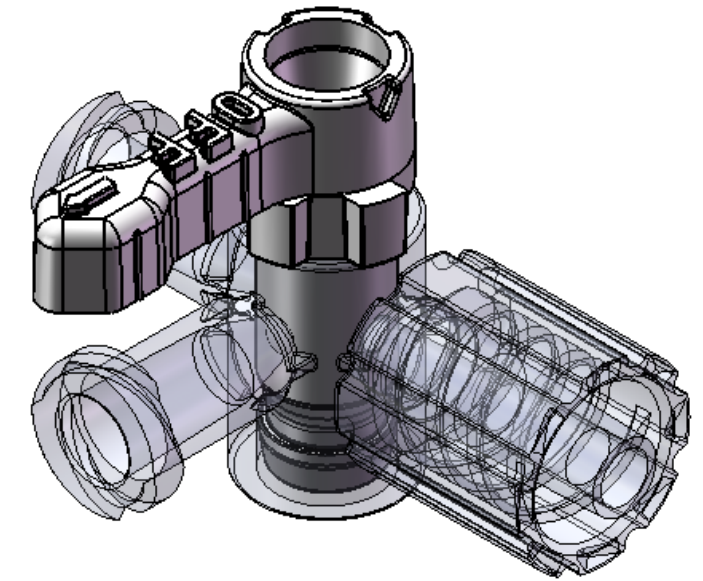
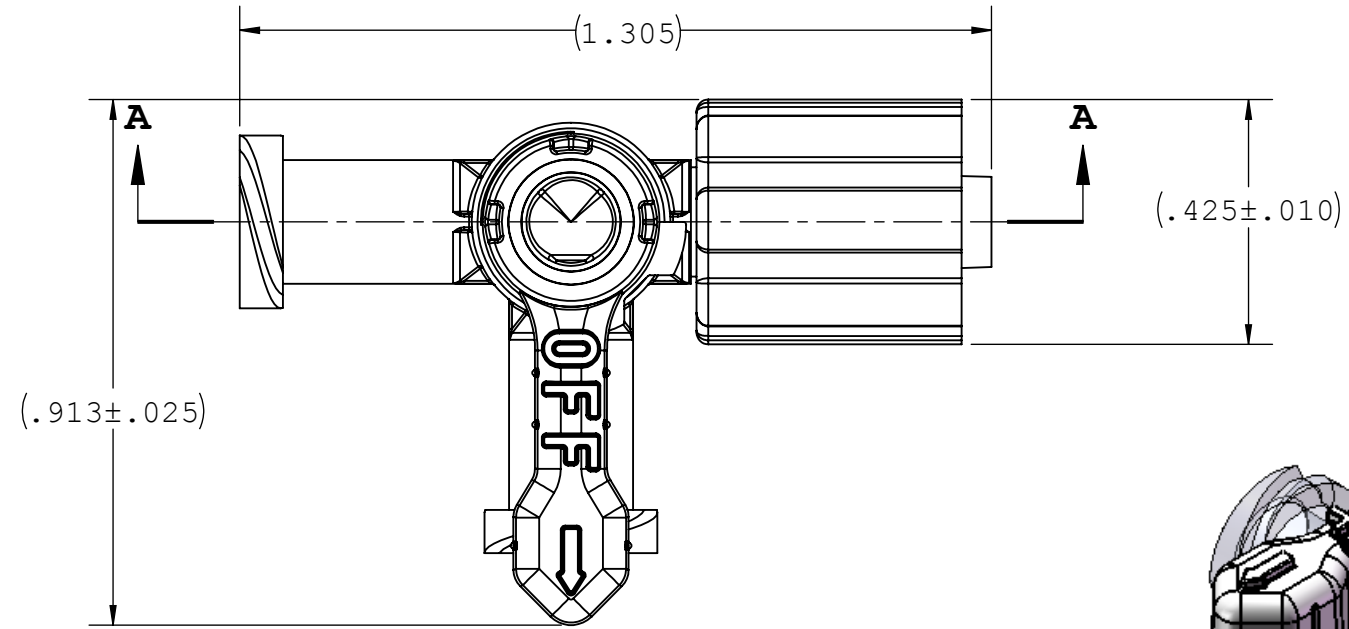
FOR REFERENCE ONLY

NOTES: FOR ADDITIONAL DETAILS, PLEASE CONTACT VP CUSTOMER SERVICE
 DIMENSIONS MARKED \square ARE CONTROL DIMENSIONS

PARTS ARE ASSEMBLED IN THE ORIENTATION SHOWN ON THE DRAWING

ANGLE ALLOWANCE OF DIVERTER ± 10 DEGREES

REVISIONS			
REV.	DESCRIPTION	DATE	APPROVED
A	INITIAL RELEASE	11/20/14	K.R.S.
B	ECO 311	03/15/16	K.R.S.



UNLESS OTHERWISE SPECIFIED
 DIMENSIONS ARE IN INCHES
 TOLERANCES ARE:

FRACTIONS	DECIMAL	ANGULAR
\pm	.XX \pm .01	\pm 1°
	.XXX \pm .005	
	.XXXX \pm .001	

DO NOT SCALE DRAWING

VALUE PLASTICS, INC

PART NUMBER: FCFMR-003

DESCRIPTION: STOPCOCK, 3-WAY, FL TO FL TO ML, LUER LOCK NUT

DRAWN BY: marie.morleyjahn
 DATE: 3/15/2016

SIZE:	SCALE:	VER:	DWG. NO.	REV
B	NTS		1033015	B

MANAGER: kyles

© 2014 VALUE PLASTICS, INC SHEET: 1 OF 1

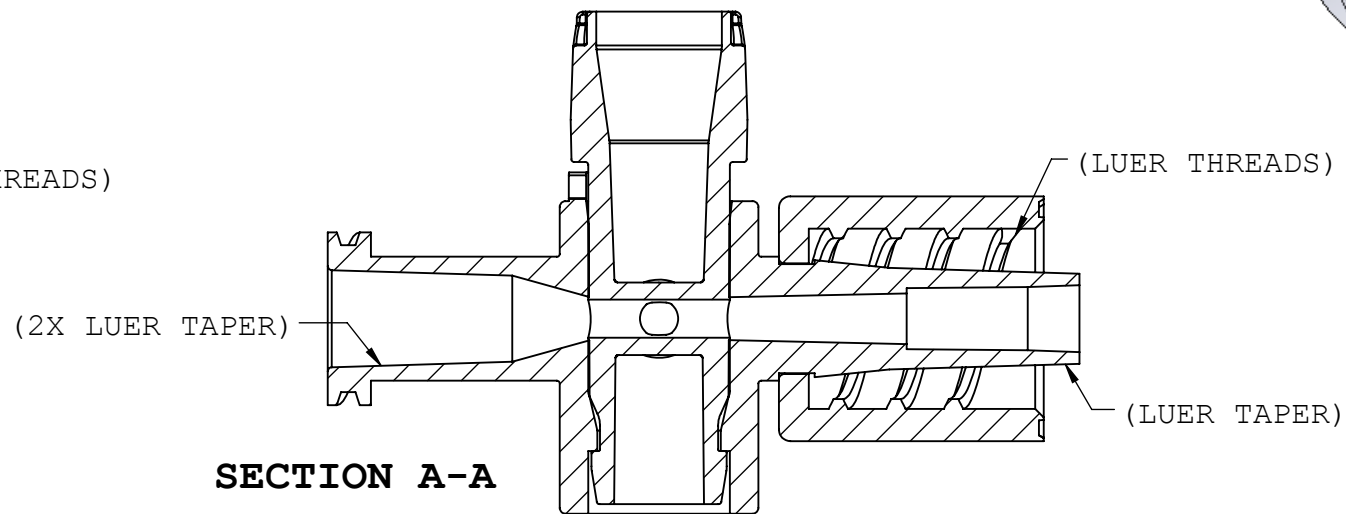
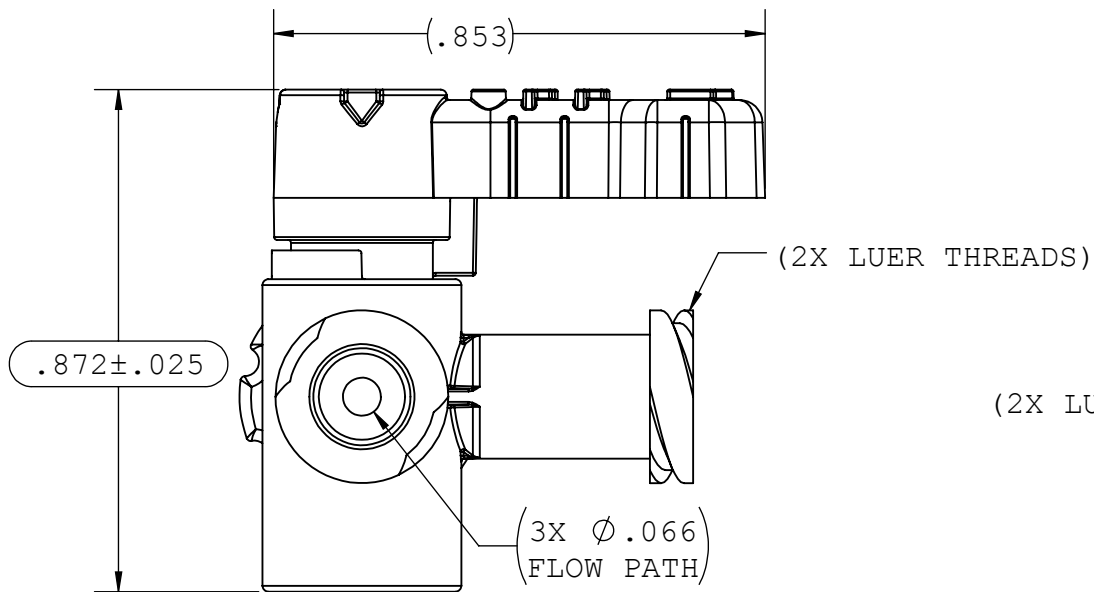
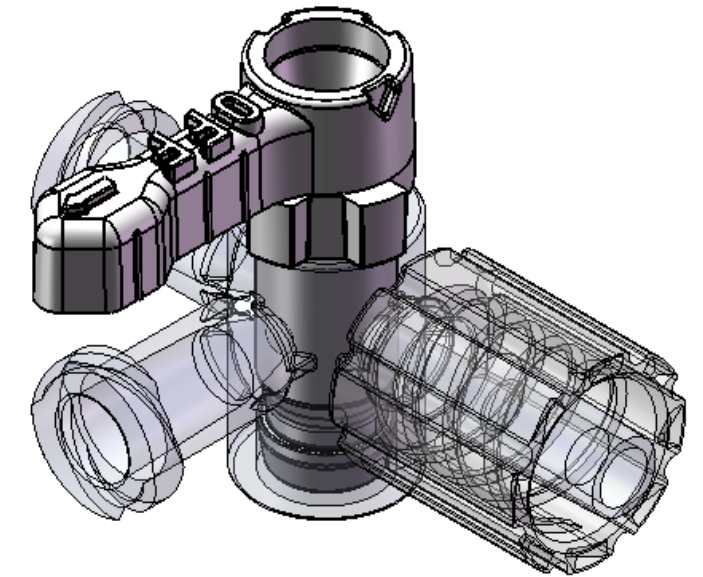
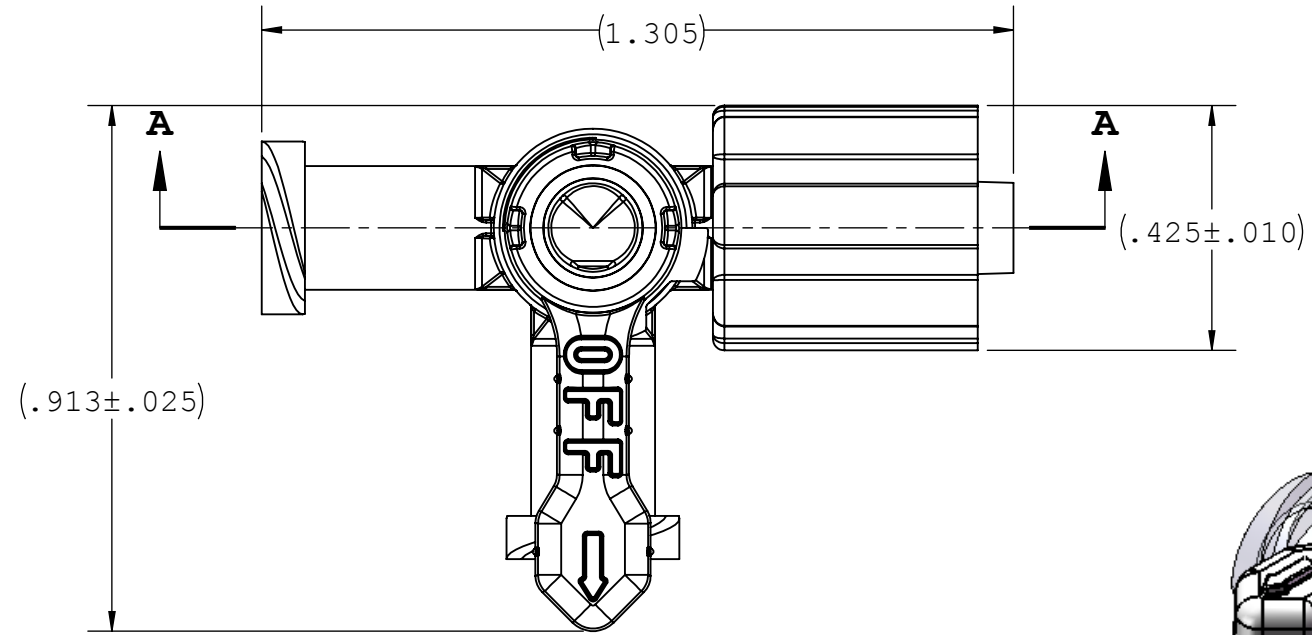
FOR REFERENCE ONLY

NOTES: FOR ADDITIONAL DETAILS, PLEASE CONTACT VP CUSTOMER SERVICE
 DIMENSIONS MARKED \square ARE CONTROL DIMENSIONS

PARTS ARE ASSEMBLED IN THE ORIENTATION SHOWN ON THE DRAWING

ANGLE ALLOWANCE OF DIVERTER ± 10 DEGREES

REVISIONS			
REV.	DESCRIPTION	DATE	APPROVED
A	INITIAL RELEASE	04/07/15	K.R.S.
B	ECO 311	03/14/16	K.R.S.



UNLESS OTHERWISE SPECIFIED DIMENSIONS ARE IN INCHES TOLERANCES ARE:		VALUE PLASTICS, INC				
FRACTIONS	DECIMAL					ANGULAR
±	.XX ±.01	± 1°	DESCRIPTION:	STOPCOCK, 3-WAY, FL TO FL TO ML, LUER LOCK NUT		
	.XXX ±.005		SIZE:	B		
	.XXXX ±.001		SCALE:	NTS		
DO NOT SCALE DRAWING			VER:			
DRAWN BY:	DATE:	SIZE:	SCALE:	VER:	DWG. NO.	REV
marie.morleyjahn	3/14/2016	B	NTS		1032441	B
MANAGER:		© 2014 VALUE PLASTICS, INC			SHEET:	1 OF 1
kyles						

FOR REFERENCE ONLY

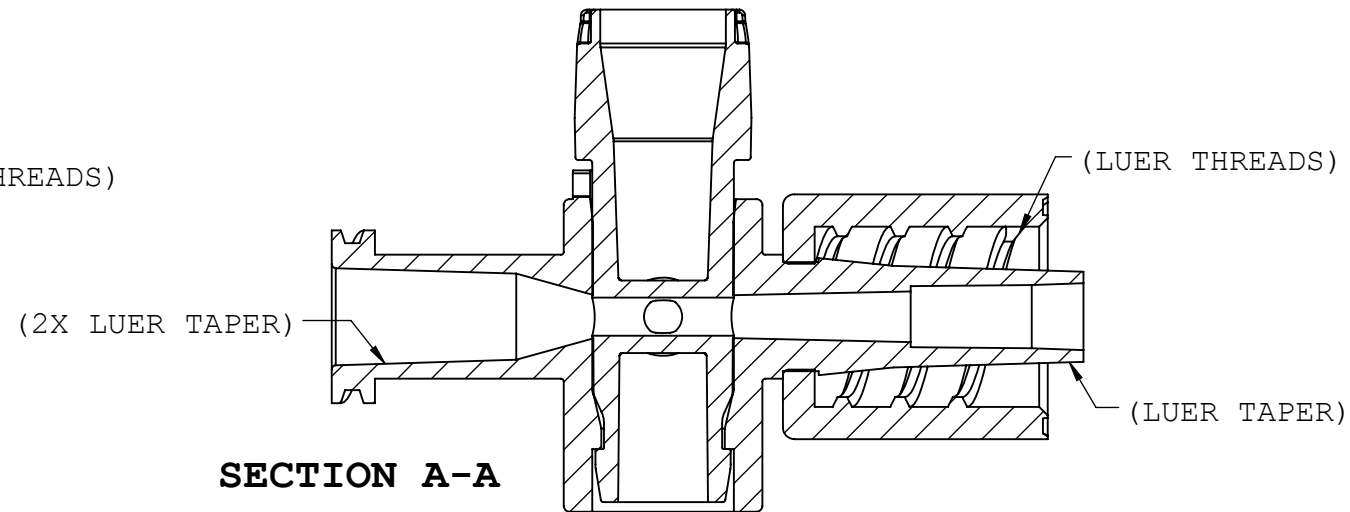
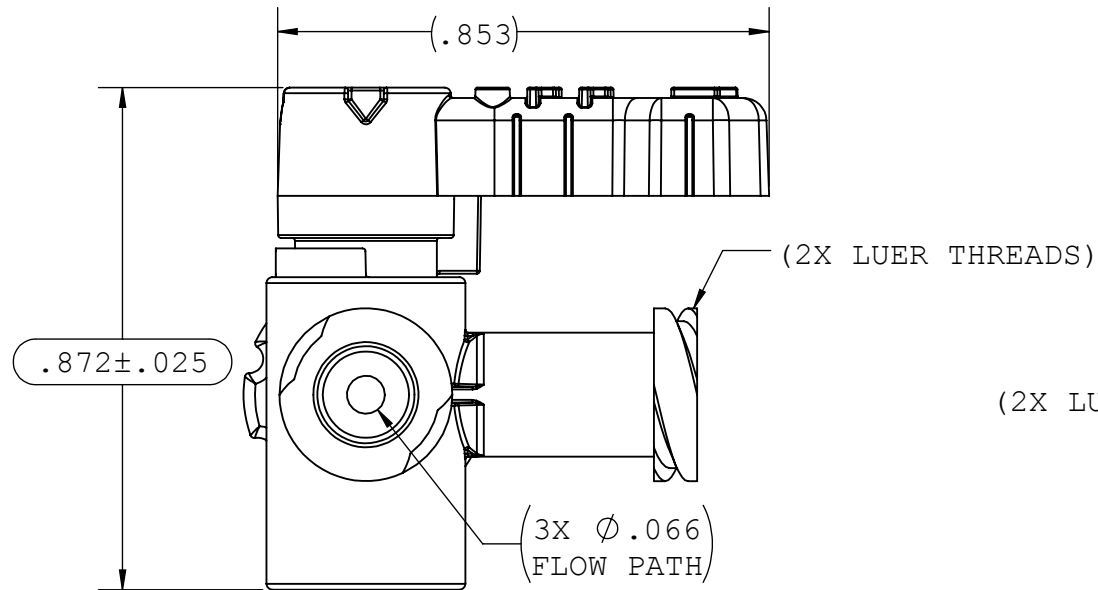
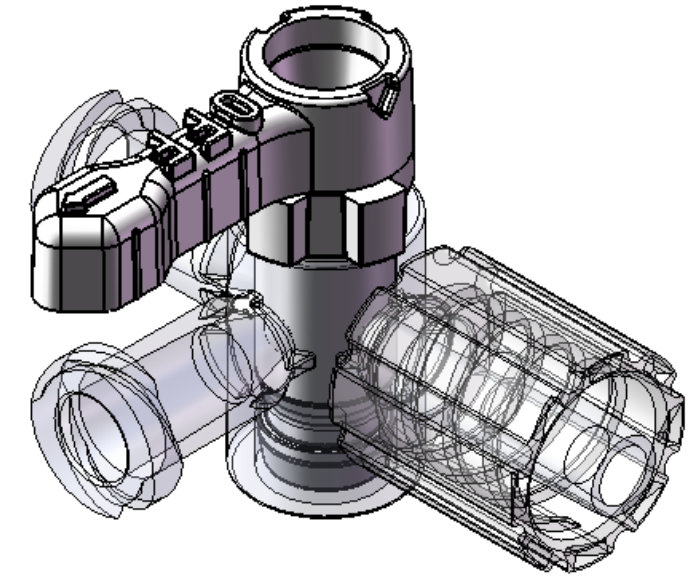
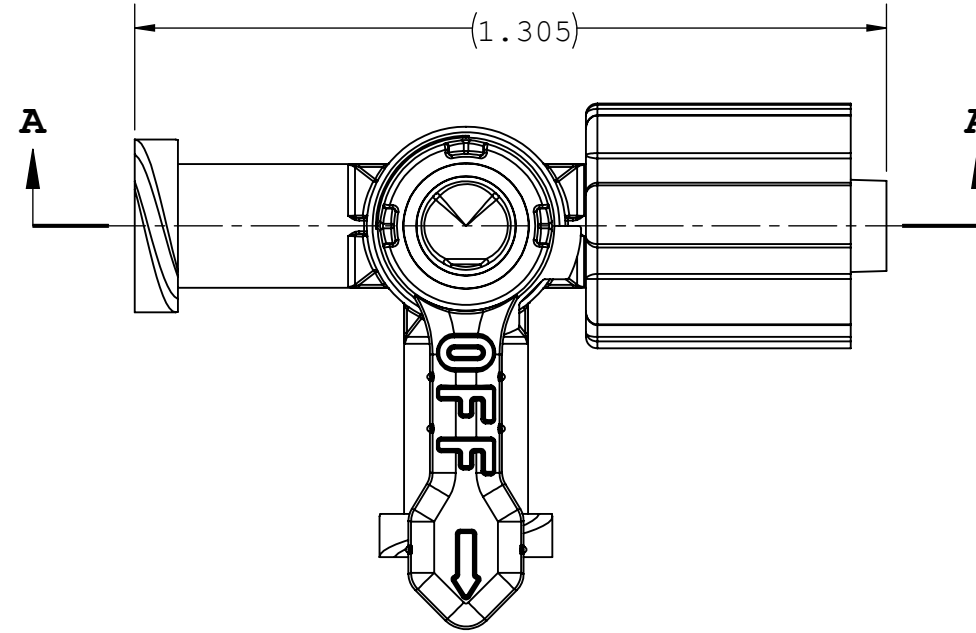
NOTES: FOR ADDITIONAL DETAILS, PLEASE CONTACT VP CUSTOMER SERVICE
 DIMENSIONS MARKED \varnothing ARE CONTROL DIMENSIONS

PARTS ARE ASSEMBLED IN THE ORIENTATION SHOWN ON THE DRAWING

ANGLE ALLOWANCE OF DIVERTER ± 10 DEGREES

LUER LOCK NUT SHOULD NOT FREELY ROTATE

REVISIONS			
REV.	DESCRIPTION	DATE	APPROVED
A	INITIAL RELEASE	08-18-16	FJL



UNLESS OTHERWISE SPECIFIED DIMENSIONS ARE IN INCHES TOLERANCES ARE:		VALUE PLASTICS, INC			
FRACTIONS DECIMAL ANGULAR \pm .XX \pm .01 $\pm 1^\circ$.XXX \pm .005 .XXXX \pm .001		PART NUMBER: FCFMR-007			
DO NOT SCALE DRAWING		DESCRIPTION: STOPCOCK, 3-WAY, FL TO FL TO ML, TIGHT LUER LOCK NUT			
DRAWN BY: kyles	DATE: 8/24/2016	SIZE: B	SCALE: NTS	VER: 	DWG. NO. REV 1042346 A
MANAGER: Frank.Lombardi		© 2014 VALUE PLASTICS, INC			SHEET: 1 OF 1

FOR REFERENCE ONLY