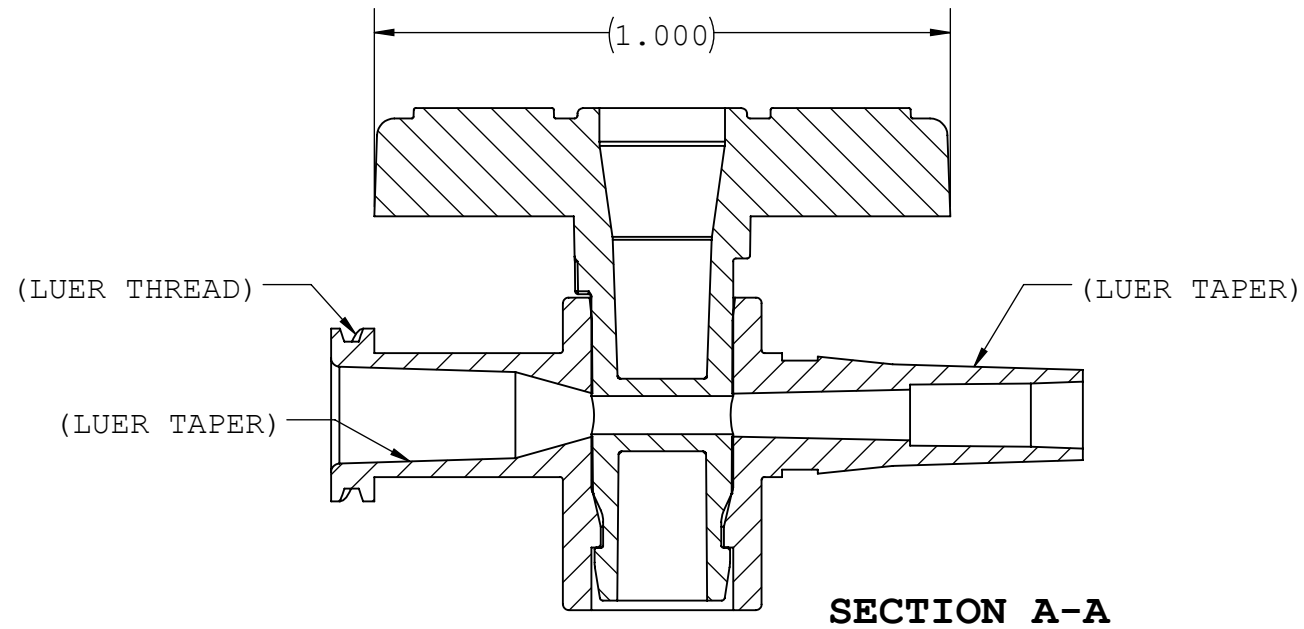
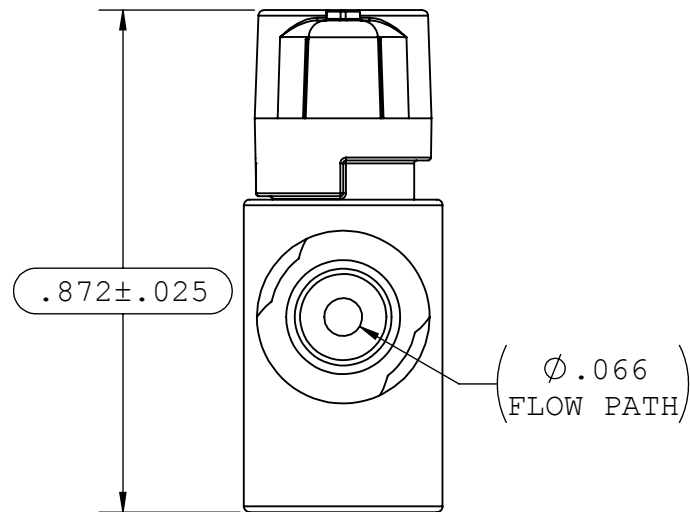
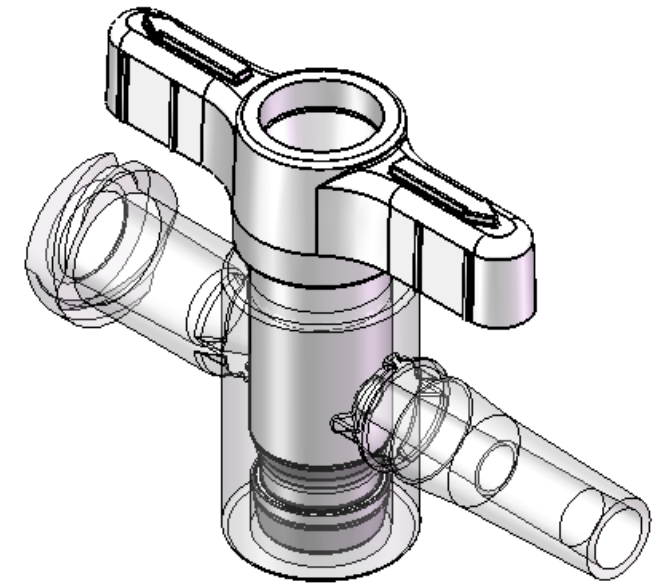
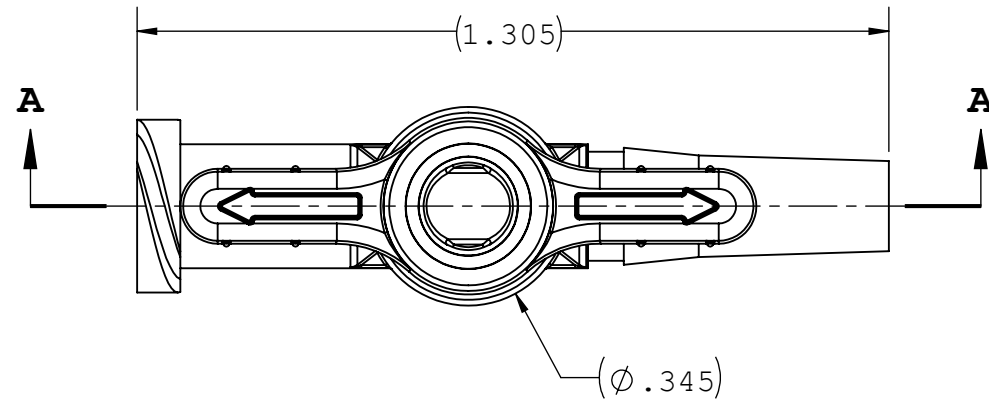


NOTES: FOR ADDITIONAL DETAILS, PLEASE CONTACT VP CUSTOMER SERVICE
 DIMENSIONS MARKED \varnothing ARE CONTROL DIMENSIONS
 PARTS ARE ASSEMBLED IN THE ORIENTATION SHOWN ON THE DRAWING
 ANGLE ALLOWANCE OF DIVERTER ± 10 DEGREES

REVISIONS			
REV.	DESCRIPTION	DATE	APPROVED
A	INITIAL RELEASE	11/24/14	K.R.S.
B	ECO 311	03/15/16	K.R.S.



UNLESS OTHERWISE SPECIFIED DIMENSIONS ARE IN INCHES TOLERANCES ARE:		VALUE PLASTICS, INC			
FRACTIONS DECIMAL ANGULAR \pm .XX \pm .01 $\pm 1^\circ$.XXX \pm .005 .XXXX \pm .001		PART NUMBER: FCFM-001			
DO NOT SCALE DRAWING		DESCRIPTION: STOPCOCK, 1-WAY, FL TO ML			
DRAWN BY: marie.morleyjahn	DATE: 4/4/2016	SIZE: B	SCALE: NTS	VER: 	DWG. NO. 1032415
MANAGER: kyles		© 2014 VALUE PLASTICS, INC			REV B
					SHEET: 1 OF 1

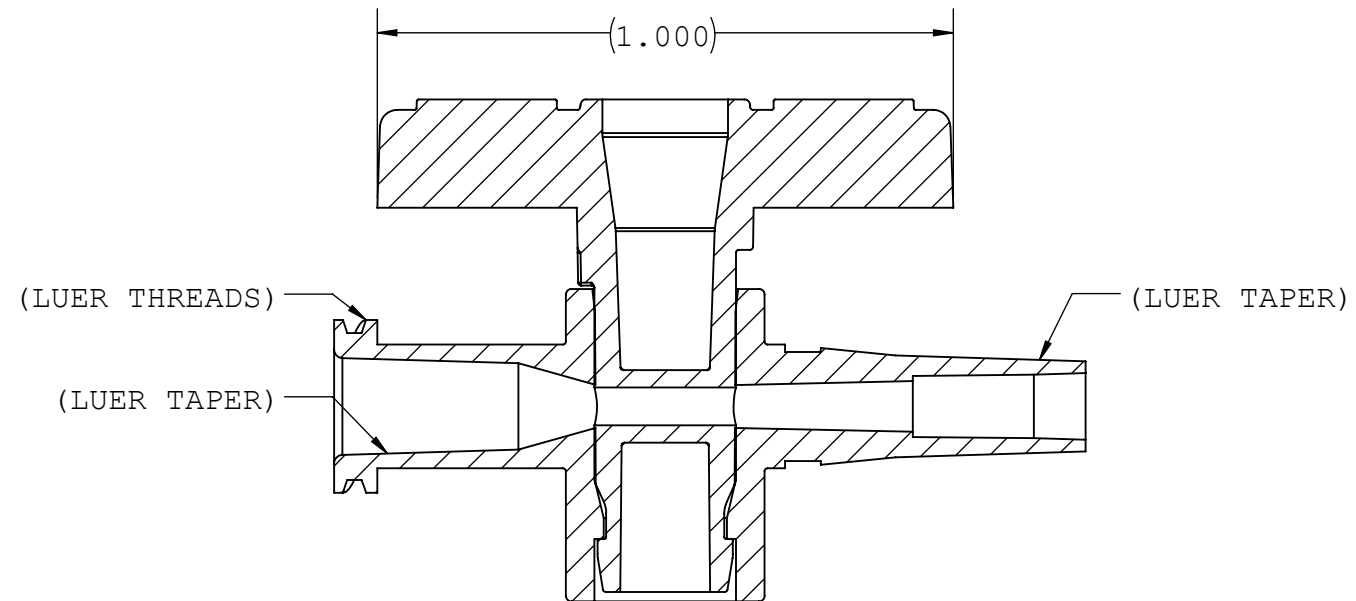
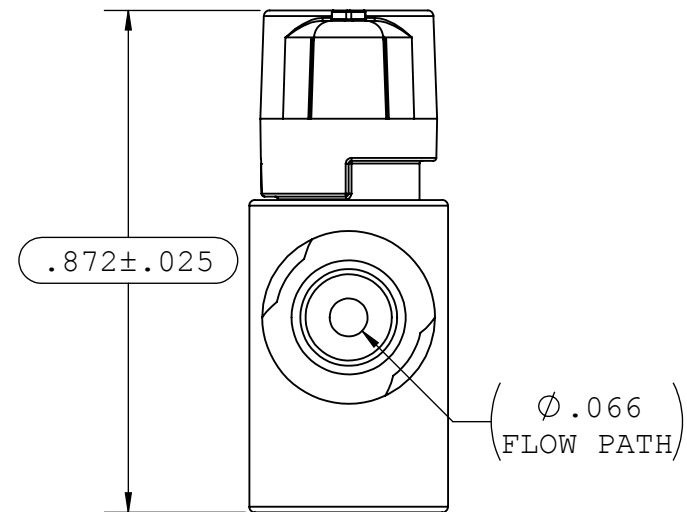
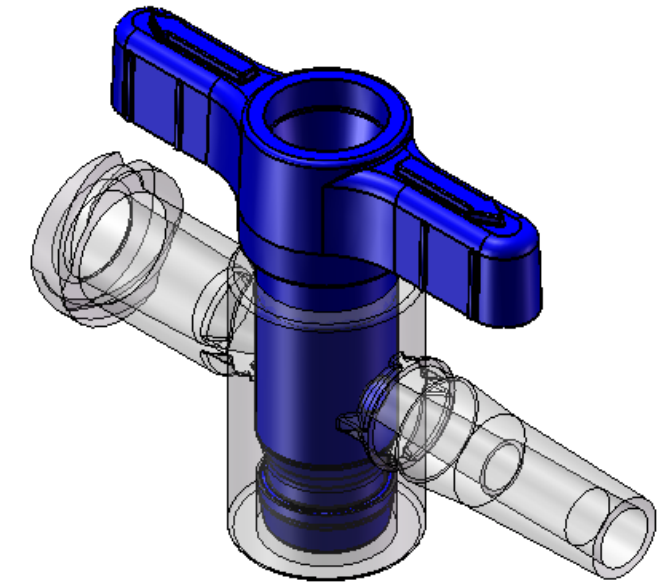
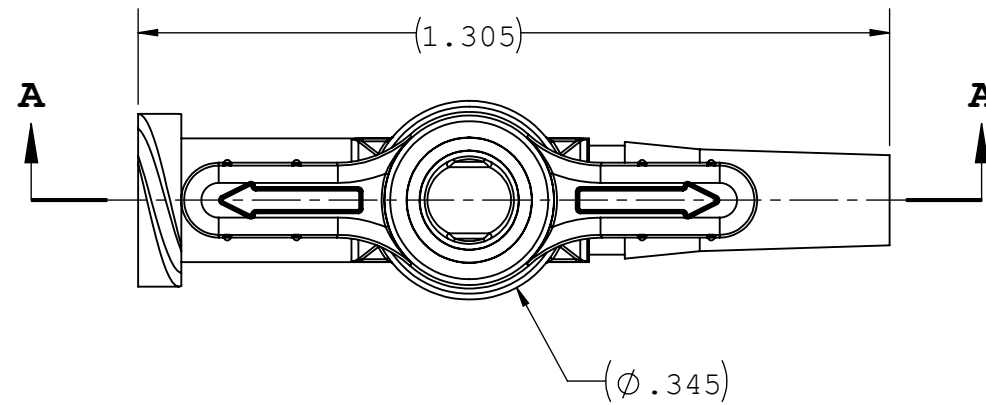
FOR REFERENCE ONLY

NOTES: FOR ADDITIONAL DETAILS, PLEASE CONTACT VP CUSTOMER SERVICE
 DIMENSIONS MARKED \varnothing ARE CONTROL DIMENSIONS

PARTS ARE ASSEMBLED IN THE ORIENTATION SHOWN ON THE DRAWING

ANGLE ALLOWANCE OF DIVERTER ± 10 DEGREES

REVISIONS			
REV.	DESCRIPTION	DATE	APPROVED
A	INITIAL RELEASE	04/13/15	K.R.S.
B	ECO 311	03/15/16	K.R.S.



SECTION A-A

UNLESS OTHERWISE SPECIFIED DIMENSIONS ARE IN INCHES TOLERANCES ARE:		VALUE PLASTICS, INC			
FRACTIONS DECIMAL ANGULAR \pm .XX \pm .01 $\pm 1^\circ$.XXX \pm .005 .XXXX \pm .001 DO NOT SCALE DRAWING		PART NUMBER: FCFM-002			
DESCRIPTION: STOPCOCKS, 1-WAY, FL TO ML		SIZE: B	SCALE: NTS	VER:	DWG. NO. 1032416
DRAWN BY: marie.morleyjahn	DATE: 3/15/2016	© 2014 VALUE PLASTICS, INC			REV: B
MANAGER: kyles	SHEET: 1 OF 1				

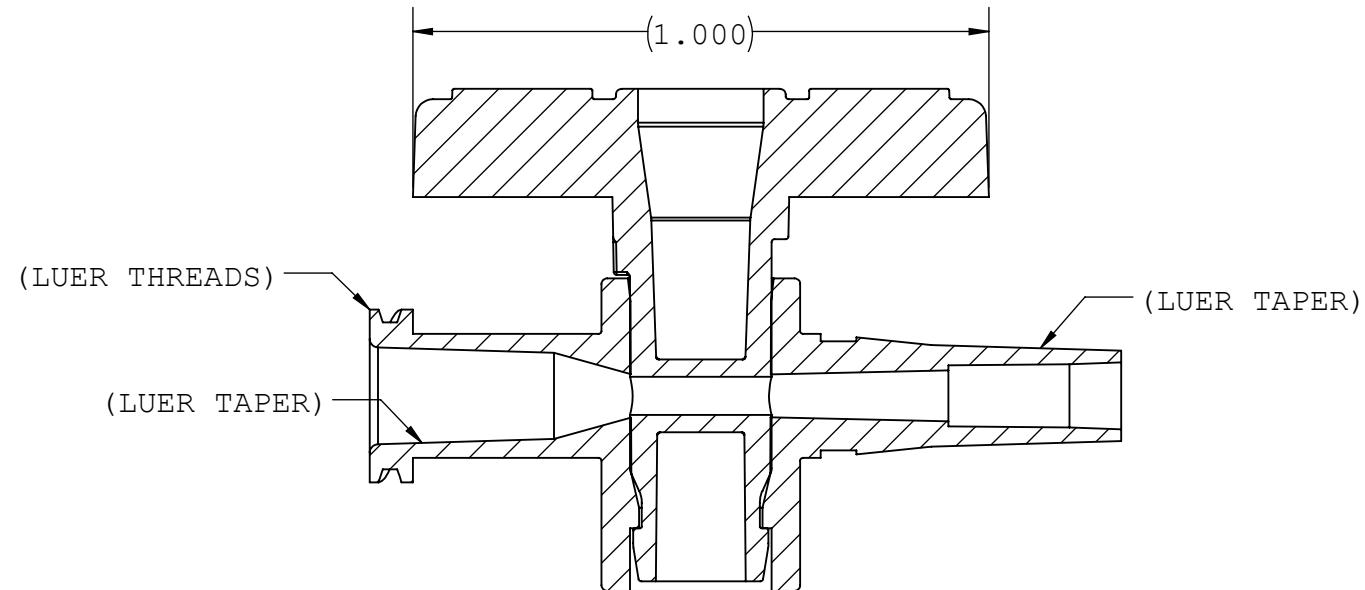
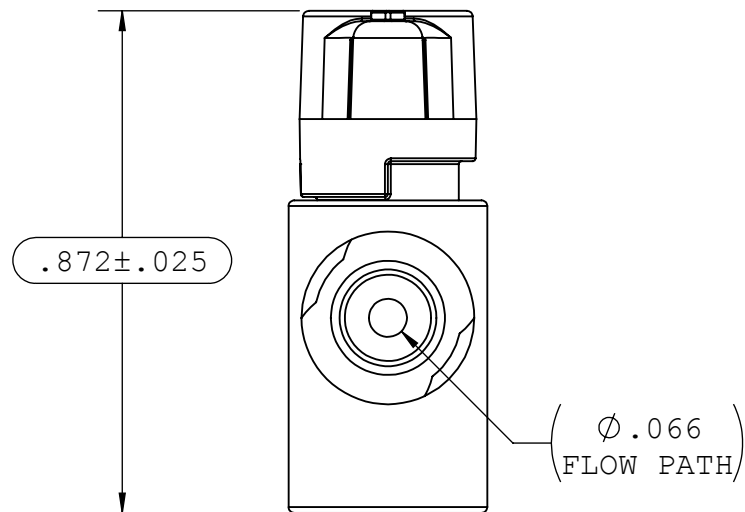
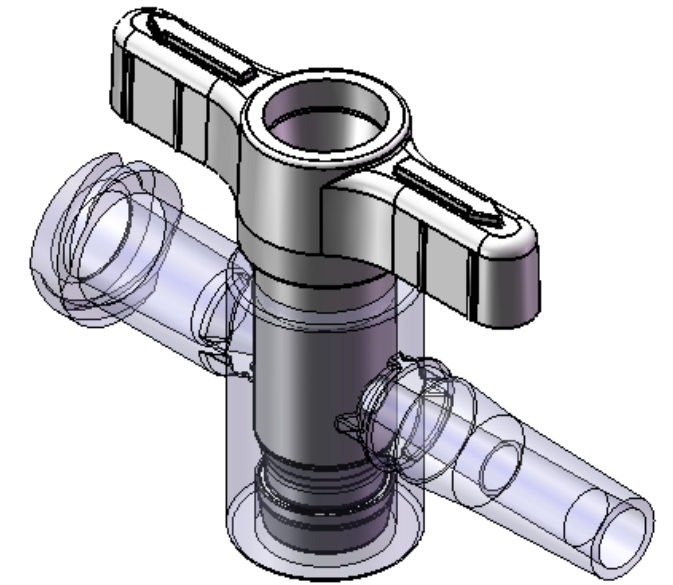
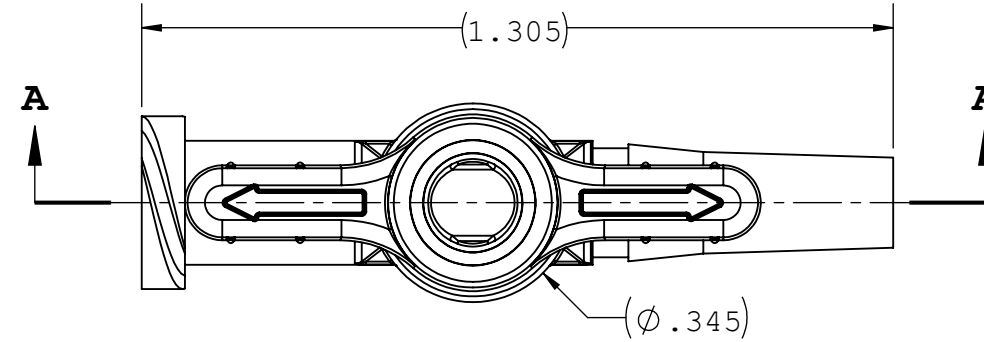
FOR REFERENCE ONLY

NOTES: FOR ADDITIONAL DETAILS, PLEASE CONTACT VP CUSTOMER SERVICE
 DIMENSIONS MARKED \varnothing ARE CONTROL DIMENSIONS

PARTS ARE ASSEMBLED IN THE ORIENTATION SHOWN ON THE DRAWING

ANGLE ALLOWANCE OF DIVERTER ± 10 DEGREES

REVISIONS			
REV.	DESCRIPTION	DATE	APPROVED
A	INITIAL RELEASE	05/15/15	K.R.S.
B	ECO 311	03/15/16	K.R.S.



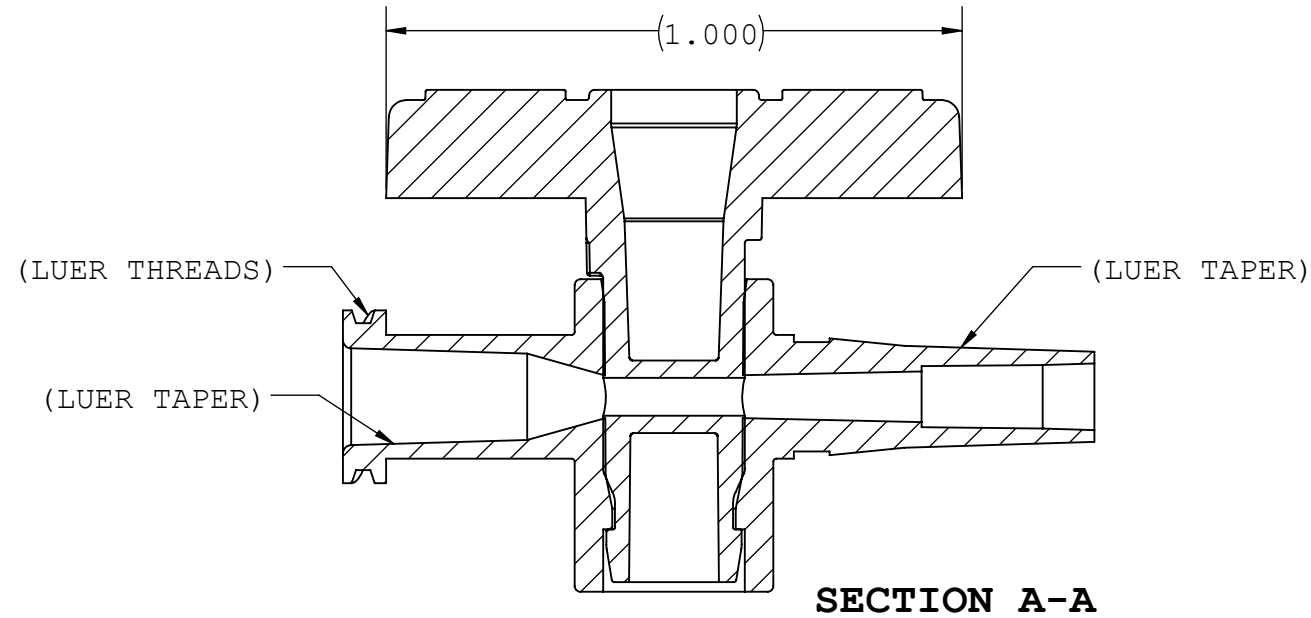
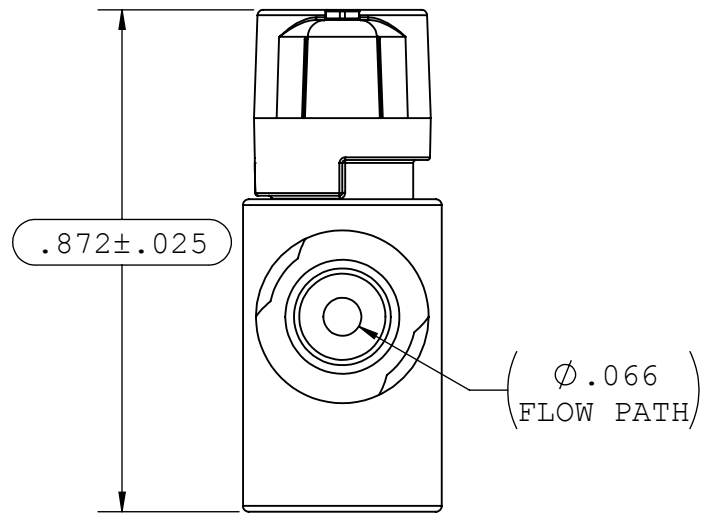
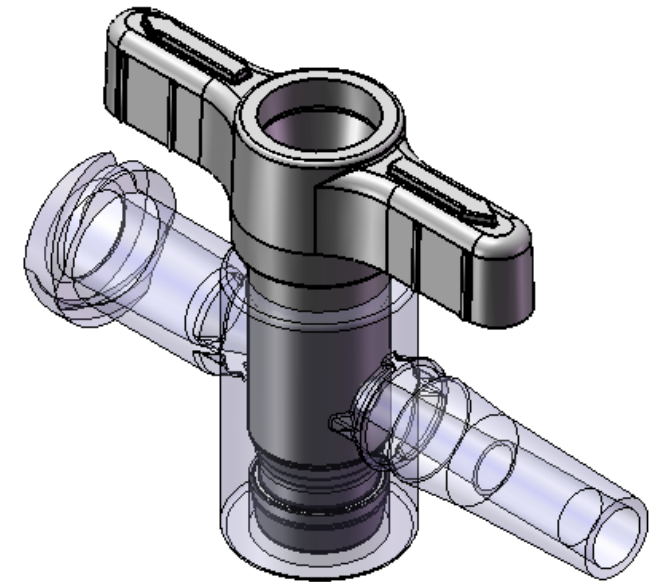
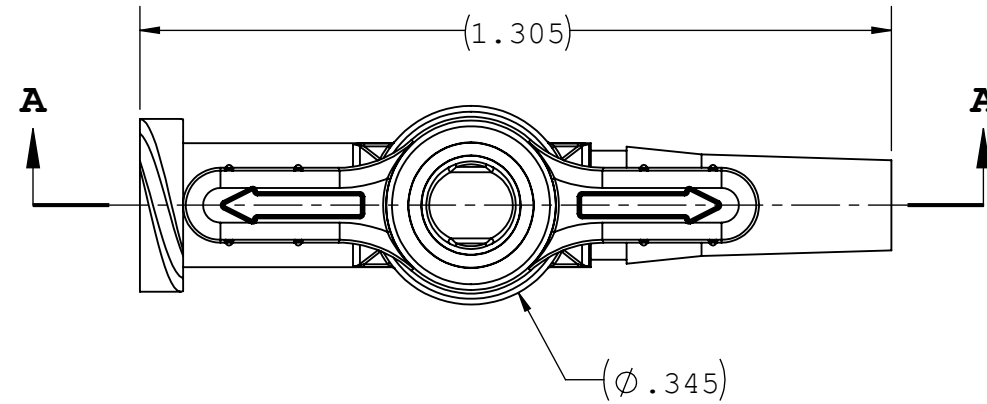
SECTION A-A

UNLESS OTHERWISE SPECIFIED DIMENSIONS ARE IN INCHES TOLERANCES ARE:		VALUE PLASTICS, INC			
FRACTIONS DECIMAL ANGULAR \pm .XX \pm .01 $\pm 1^\circ$.XXX \pm .005 .XXXX \pm .001		PART NUMBER: FCFM-006			
DO NOT SCALE DRAWING		DESCRIPTION: STOPCOCK, 1-WAY, FL TO ML			
DRAWN BY: marie.morleyjahn	DATE: 3/15/2016	SIZE: B	SCALE: NTS	VER: 	DWG. NO. 1032414
MANAGER: kyles		© 2014 VALUE PLASTICS, INC			REV: B
					SHEET: 1 OF 1

FOR REFERENCE ONLY

NOTES: FOR ADDITIONAL DETAILS, PLEASE CONTACT VP CUSTOMER SERVICE
 DIMENSIONS MARKED \square ARE CONTROL DIMENSIONS
 PARTS ARE ASSEMBLED IN THE ORIENTATION SHOWN ON THE DRAWING
 ANGLE ALLOWANCE OF DIVERTER ± 10 DEGREES

REVISIONS			
REV.	DESCRIPTION	DATE	APPROVED
A	INITIAL RELEASE	05/15/15	K.R.S.
B	ECO 311	01/27/16	K.R.S.



UNLESS OTHERWISE SPECIFIED DIMENSIONS ARE IN INCHES TOLERANCES ARE:		VALUE PLASTICS, INC			
FRACTIONS	DECIMAL				
±	.XX ±.01	± 1°			
	.XXX ±.005				
	.XXXX ±.001				
DO NOT SCALE DRAWING			PART NUMBER: FCFM-010		
DESCRIPTION: STOPCOCK, 1-WAY, FL TO ML			DESCRIPTION:		
DRAWN BY: marie.morleyjahn	DATE: 1/27/2016	SIZE: B	SCALE: NTS	VER:	DWG. NO. 1032422
MANAGER: kyles	© 2014 VALUE PLASTICS, INC			SHEET:	1 OF 1

FOR REFERENCE ONLY