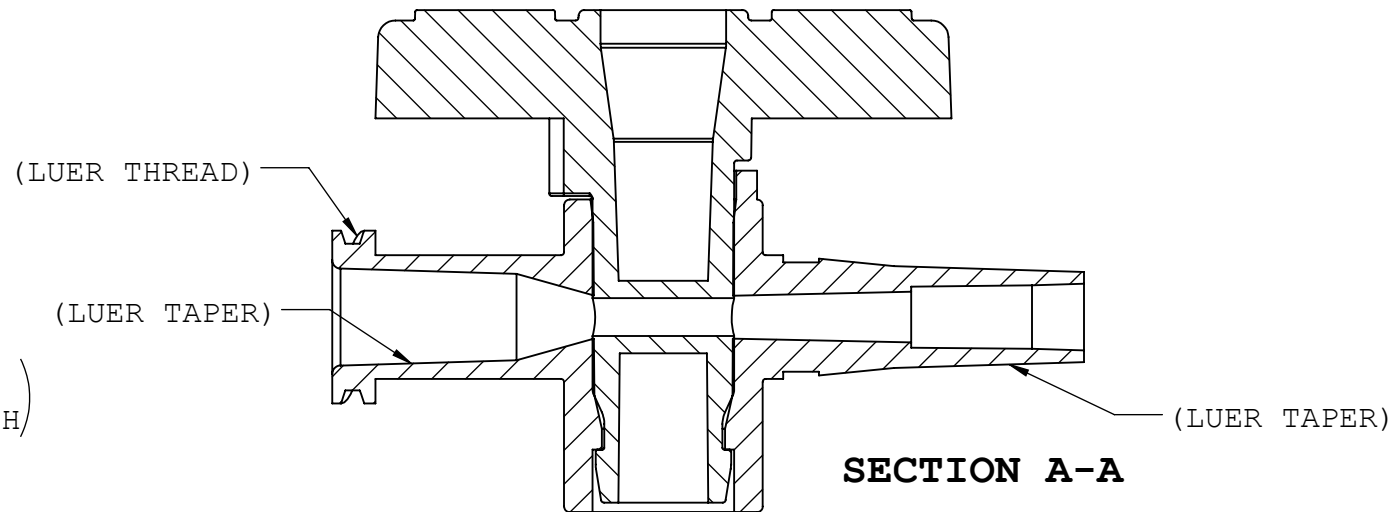
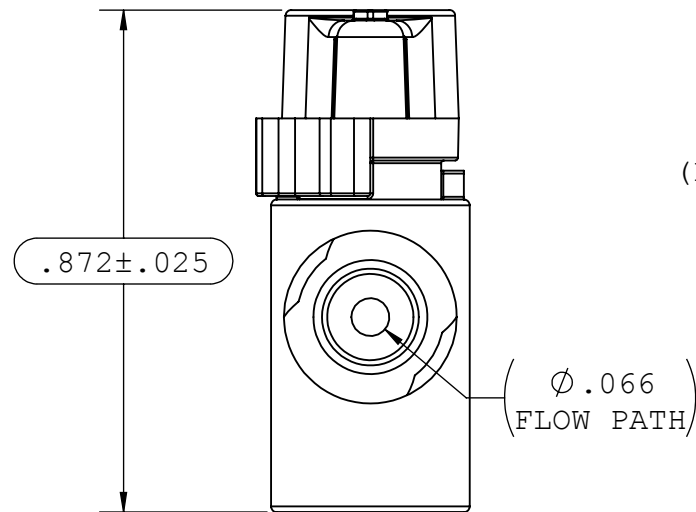
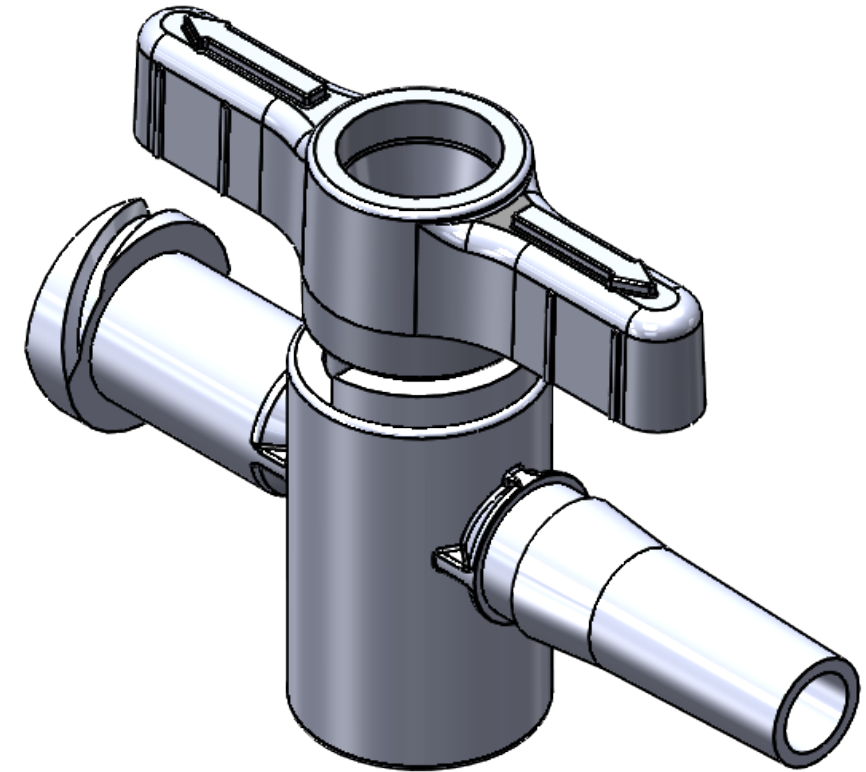
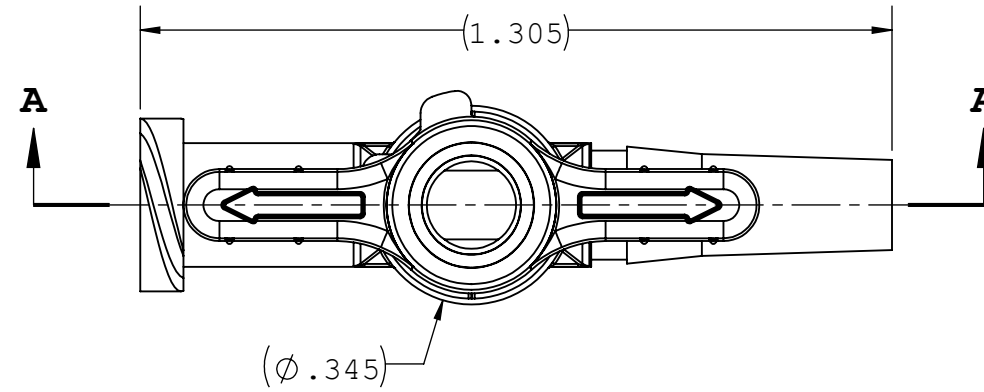


NOTES: FOR ADDITIONAL DETAILS, PLEASE CONTACT VP CUSTOMER SERVICE  
 DIMENSIONS MARKED  $\varnothing$  ARE CONTROL DIMENSIONS

REVISIONS			
REV.	DESCRIPTION	DATE	APPROVED
A	INITIAL RELEASE	06-20-16	FJL
B	ECO 349		



UNLESS OTHERWISE SPECIFIED  
 DIMENSIONS ARE IN INCHES  
 TOLERANCES ARE:

FRACTIONS	DECIMAL	ANGULAR
±	.XX ±.01	± 1°
	.XXX ±.005	
	.XXXX ±.001	

DO NOT SCALE DRAWING

**VALUE PLASTICS, INC**

PART NUMBER: FCFML-2A

DESCRIPTION: STOPCOCK, 1-WAY, FL TO ML

DRAWN BY: kyles	DATE: 5/3/2017	SIZE: <b>B</b>	SCALE: NTS	VER:	DWG. NO. 1041372	REV B
MANAGER: Frank.Lombardi					© 2016 VALUE PLASTICS, INC	SHEET: 1 OF 1

**FOR REFERENCE ONLY**