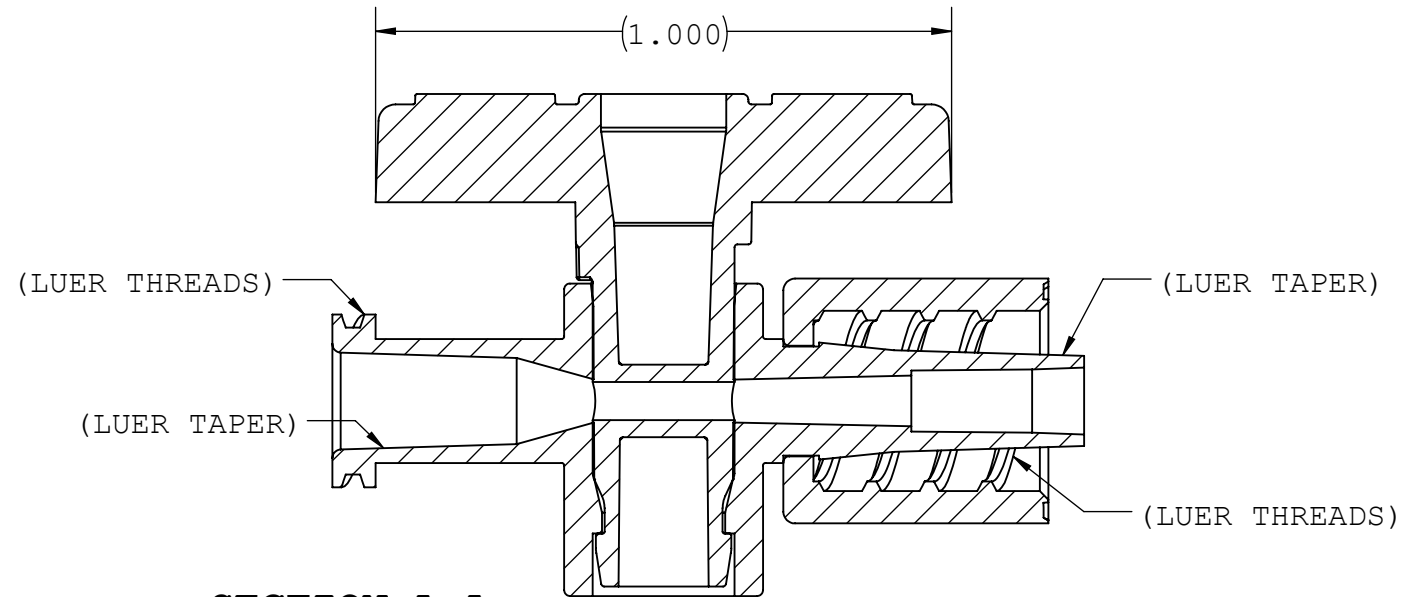
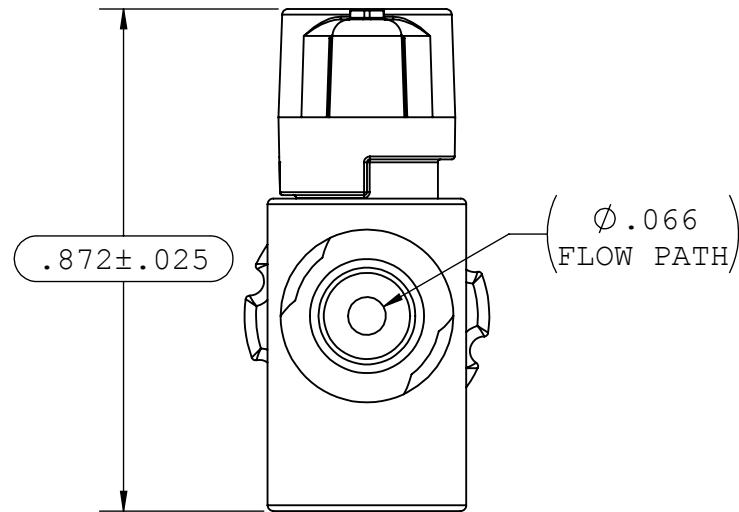
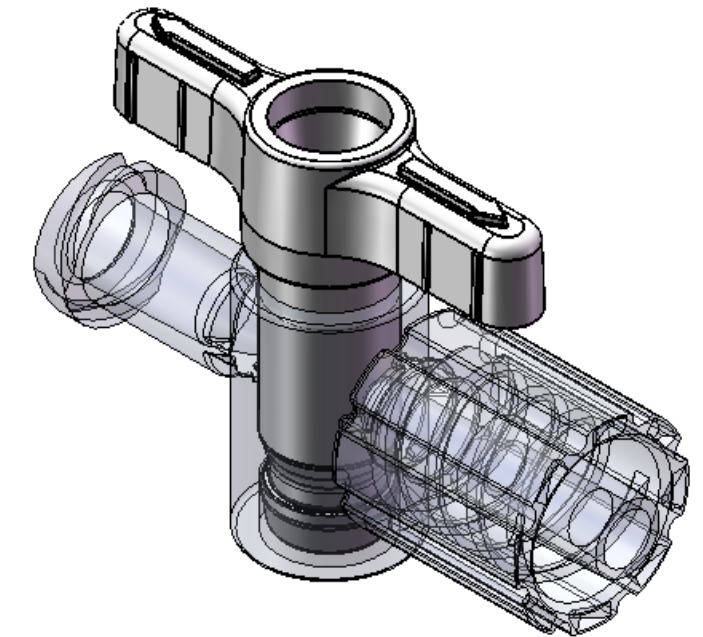
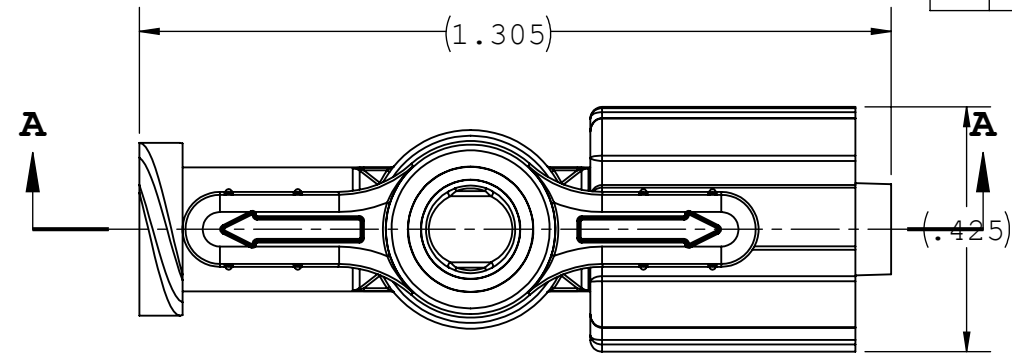


NOTES: FOR ADDITIONAL DETAILS, PLEASE CONTACT VP CUSTOMER SERVICE
 DIMENSIONS MARKED \varnothing ARE CONTROL DIMENSIONS
 PARTS ARE ASSEMBLED IN THE ORIENTATION SHOWN ON THE DRAWING
 ANGLE ALLOWANCE OF DIVERTER ± 10 DEGREES

REVISIONS			
REV.	DESCRIPTION	DATE	APPROVED
A	INITIAL RELEASE	11/24/14	K.R.S.
B	ECO 311	03/15/16	K.R.S.



SECTION A-A

UNLESS OTHERWISE SPECIFIED DIMENSIONS ARE IN INCHES TOLERANCES ARE:		VALUE PLASTICS, INC			
FRACTIONS	DECIMAL				
±	.XX ±.01	± 1°	DESCRIPTION:	STOPCOCK, 1-WAY, FL TO ML, LUER LOCK NUT	
	.XXX ±.005		SIZE:	B	
	.XXXX ±.001		SCALE:	NTS	
DO NOT SCALE DRAWING			VER:		
DRAWN BY:	DATE:	DWG. NO.	REV.	B	
marie.morleyjahn	4/4/2016	1032424			
MANAGER:	© 2014 VALUE PLASTICS, INC			SHEET: 1 OF 1	
kyles					

FOR REFERENCE ONLY