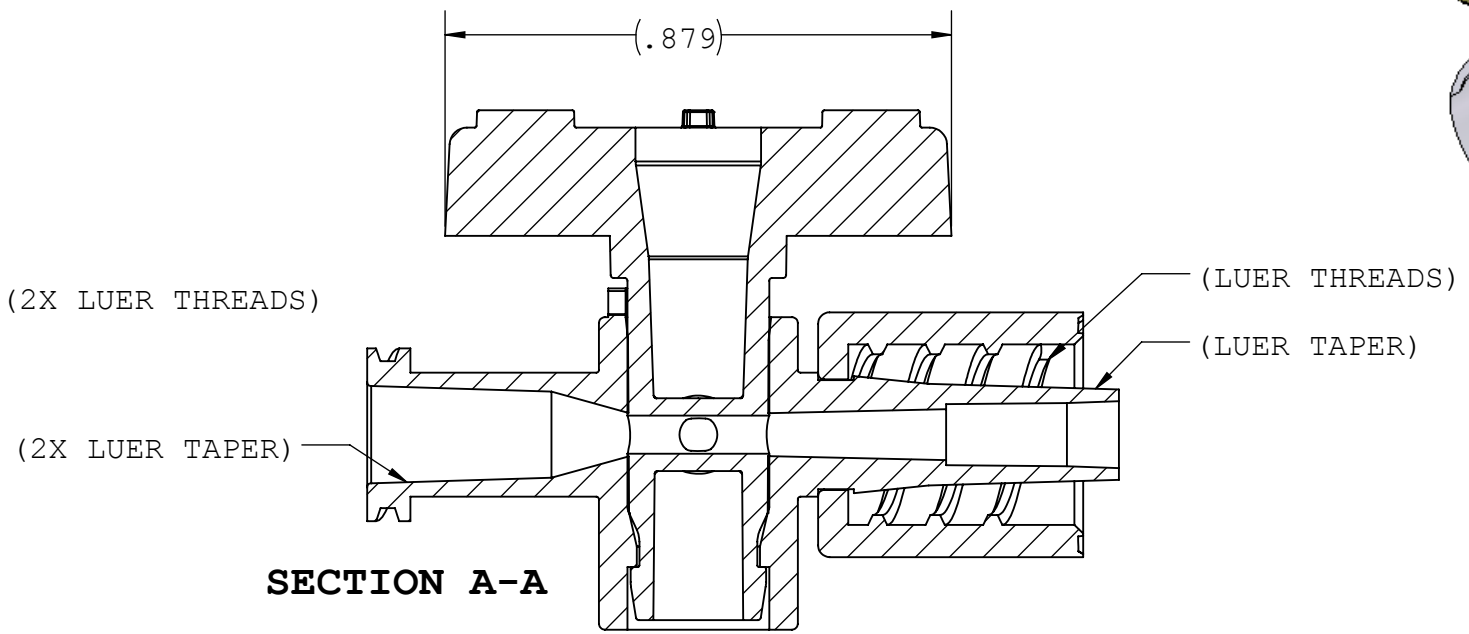
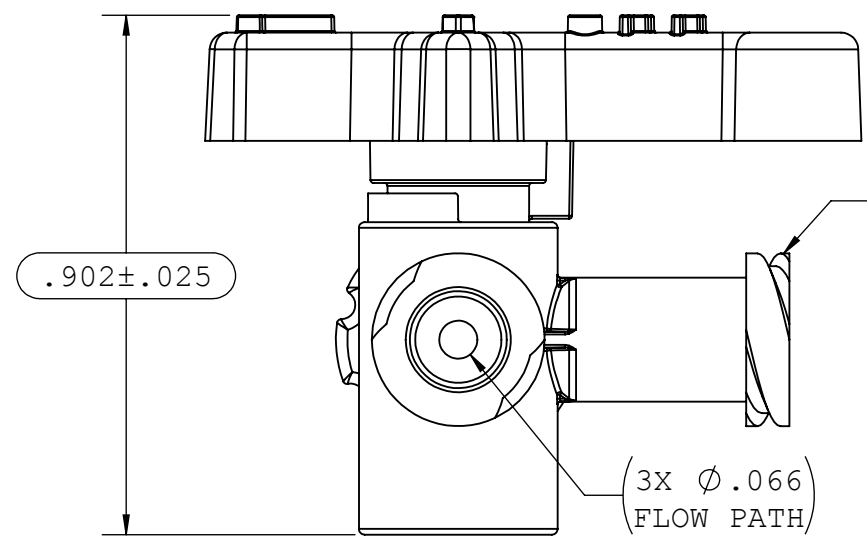
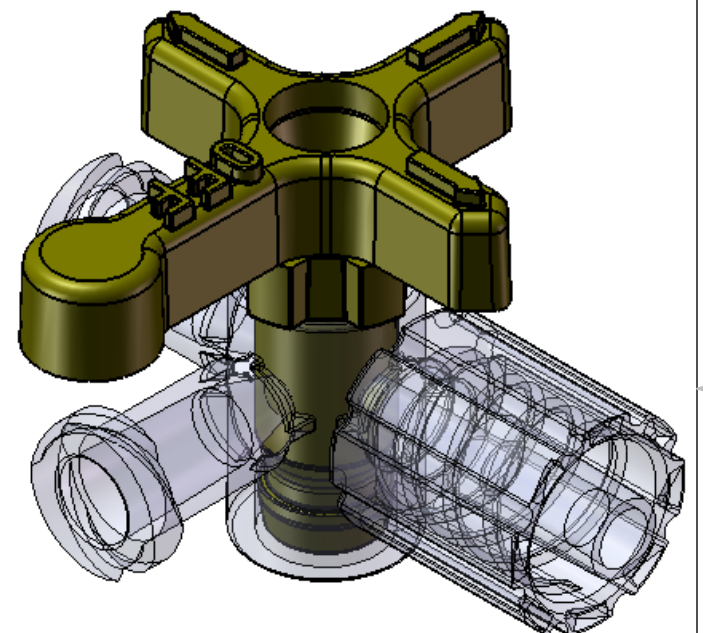
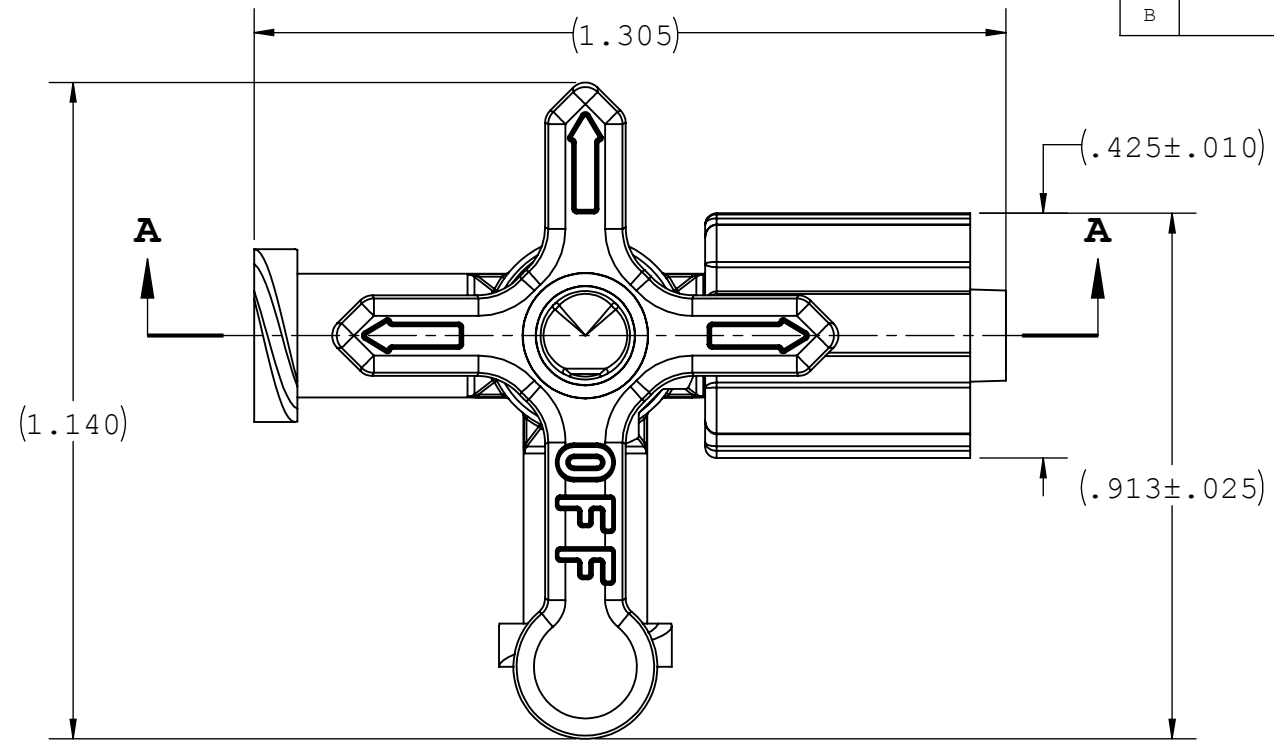


NOTES: FOR ADDITIONAL DETAILS, PLEASE CONTACT VP CUSTOMER SERVICE  
 DIMENSIONS MARKED  $\text{\textcircled{\hspace{1em}}}$  ARE CONTROL DIMENSIONS  
 PARTS ARE ASSEMBLED IN THE ORIENTATION SHOWN ON THE DRAWING  
 ANGLE ALLOWANCE OF DIVERTER  $\pm 10$  DEGREES

REVISIONS			
REV.	DESCRIPTION	DATE	APPROVED
A	INITIAL RELEASE	12/06/14	K.R.S.
B	ECO 311	03/15/16	K.R.S.



UNLESS OTHERWISE SPECIFIED  
 DIMENSIONS ARE IN INCHES  
 TOLERANCES ARE:

FRACTIONS	DECIMAL	ANGULAR
$\pm$	.XX $\pm$ .01	$\pm$ 1°
	.XXX $\pm$ .005	
	.XXXX $\pm$ .001	

DO NOT SCALE DRAWING

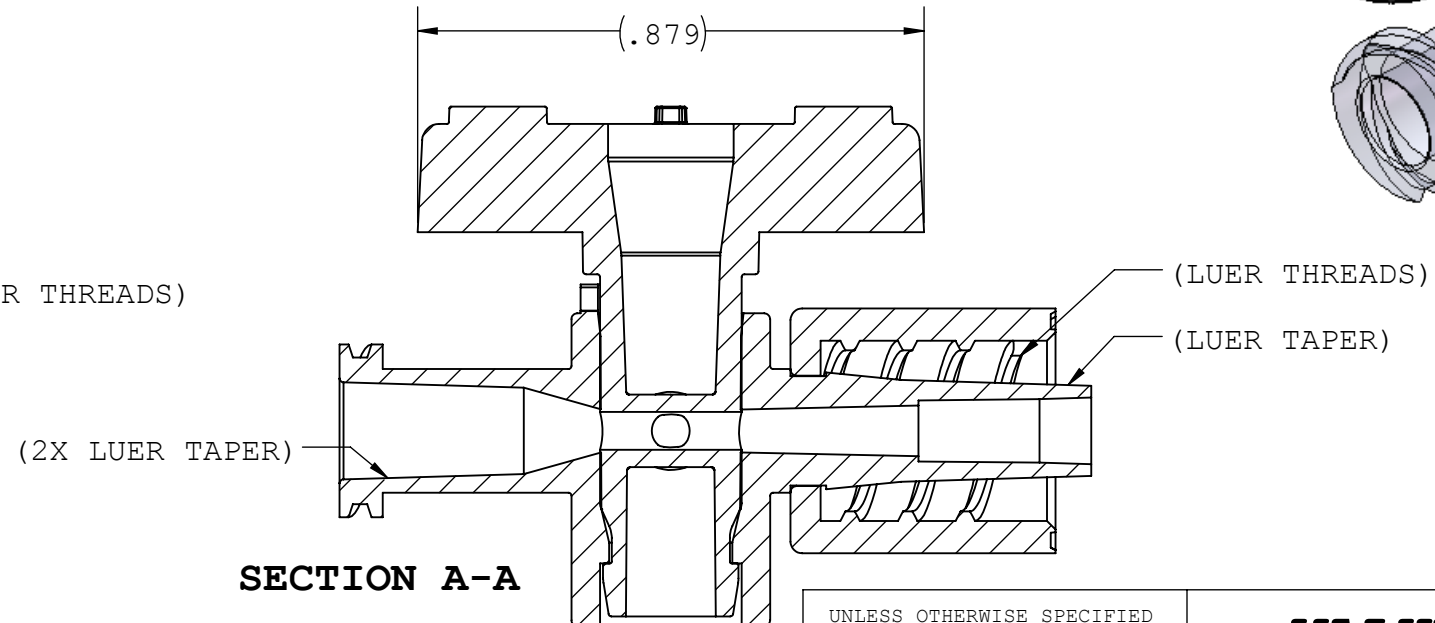
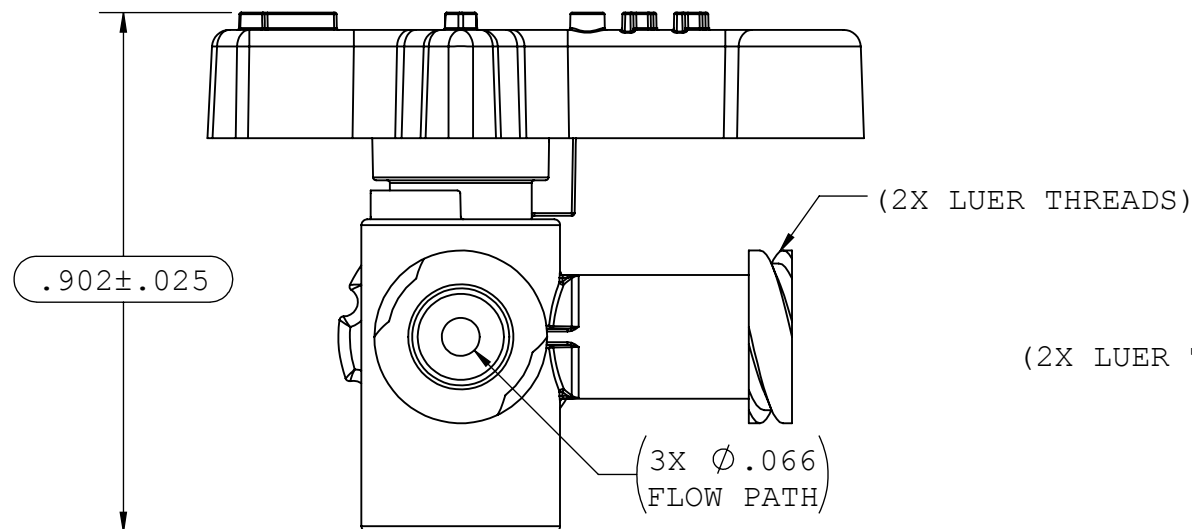
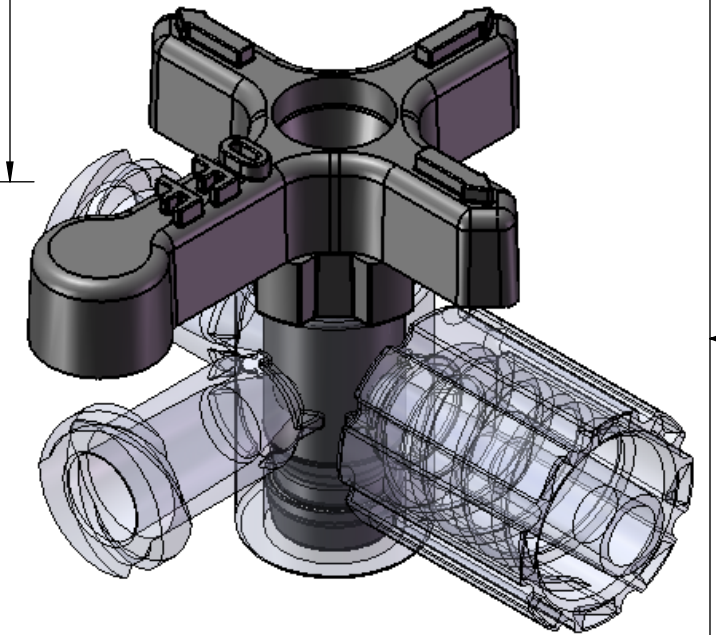
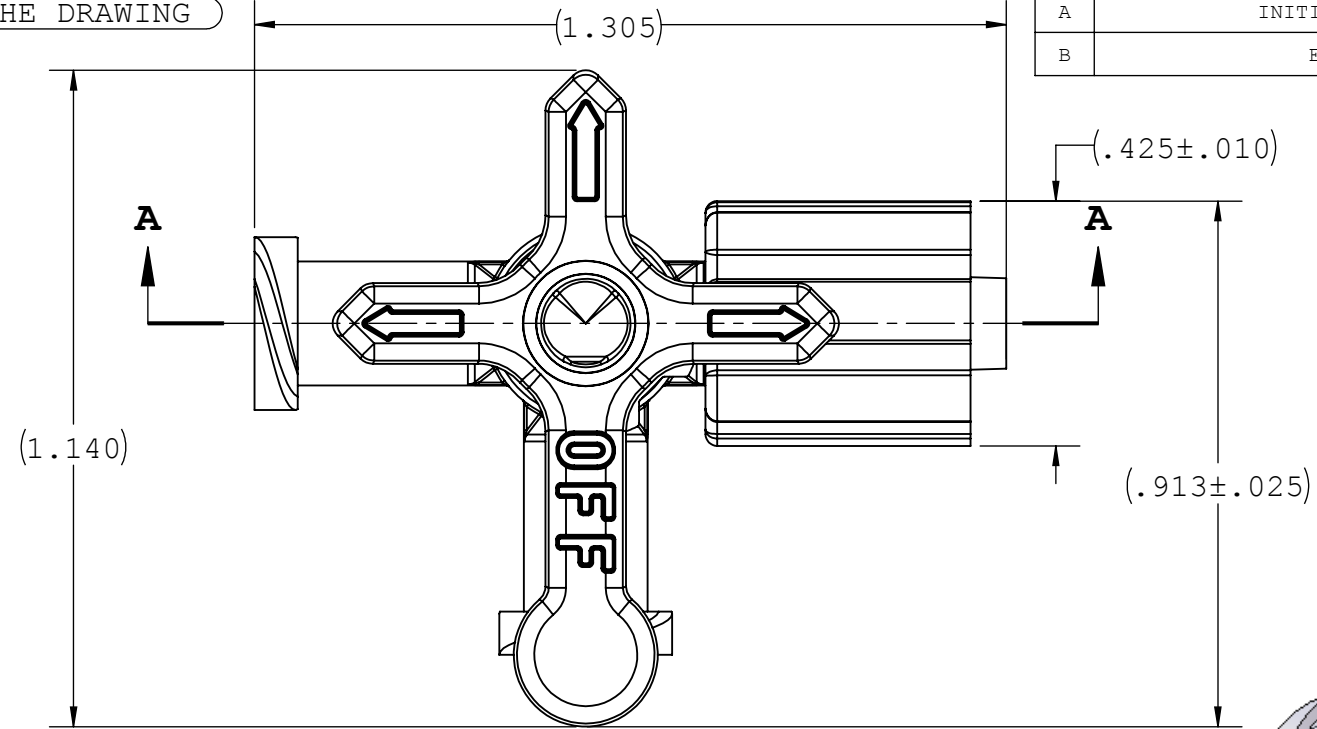
DRAWN BY: marie.morleyjahn  
 DATE: 4/4/2016  
 MANAGER: kyles

<b>VALUE PLASTICS, INC</b>				
PART NUMBER: FCHPFFMR-001				
DESCRIPTION: STOPCOCK, 3-WAY, FL TO FL TO ML, LUER LOCK RING, HIGH PRESSURE				
SIZE: <b>B</b>	SCALE: NTS	VER:	DWG. NO. 1032440	REV: B
© 2014 VALUE PLASTICS, INC				SHEET: 1 OF 1

**FOR REFERENCE ONLY**

NOTES: FOR ADDITIONAL DETAILS, PLEASE CONTACT VP CUSTOMER SERVICE  
 DIMENSIONS MARKED  $\square$  ARE CONTROL DIMENSIONS  
 PARTS ARE ASSEMBLED IN THE ORIENTATION SHOWN ON THE DRAWING  
 ANGLE ALLOWANCE OF DIVERTER  $\pm 10$  DEGREES

REVISIONS			
REV.	DESCRIPTION	DATE	APPROVED
A	INITIAL RELEASE	04/18/15	K.R.S.
B	ECO 311	03/15/16	K.R.S.



UNLESS OTHERWISE SPECIFIED  
 DIMENSIONS ARE IN INCHES  
 TOLERANCES ARE:  
 FRACTIONS DECIMAL ANGULAR  
 ± .XX ±.01 ± 1°  
 .XXX ±.005  
 .XXXX ±.001  
 DO NOT SCALE DRAWING

**VALUE PLASTICS, INC**

PART NUMBER: FCHPFFMR-002  
 DESCRIPTION: STOPCOCK, 3-WAY, FL TO FL TO ML, LUER LOCK RING, HIGH PRESSURE

DRAWN BY: marie.morleyjahn	DATE: 3/15/2016	SIZE: <b>B</b>	SCALE: NTS	VER:	DWG. NO. 1032442	REV B
-------------------------------	--------------------	-------------------	---------------	------	---------------------	----------

MANAGER: kyles  
 © 2014 VALUE PLASTICS, INC SHEET: 1 OF 1

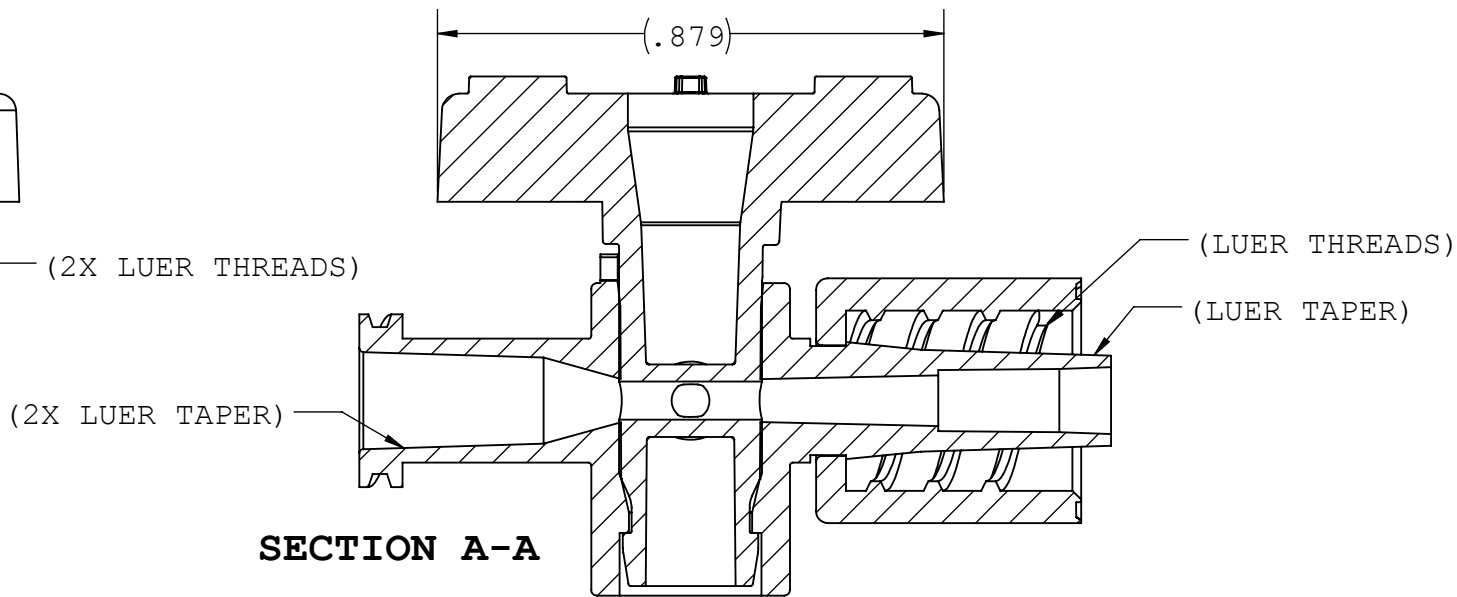
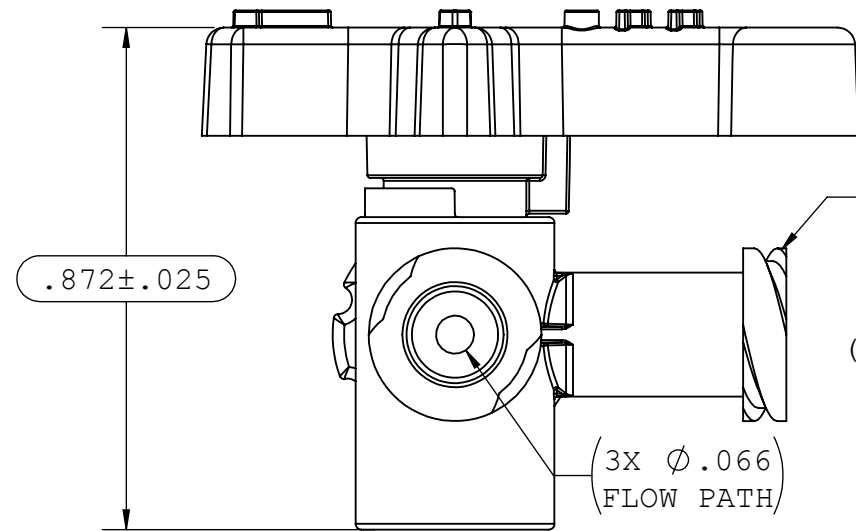
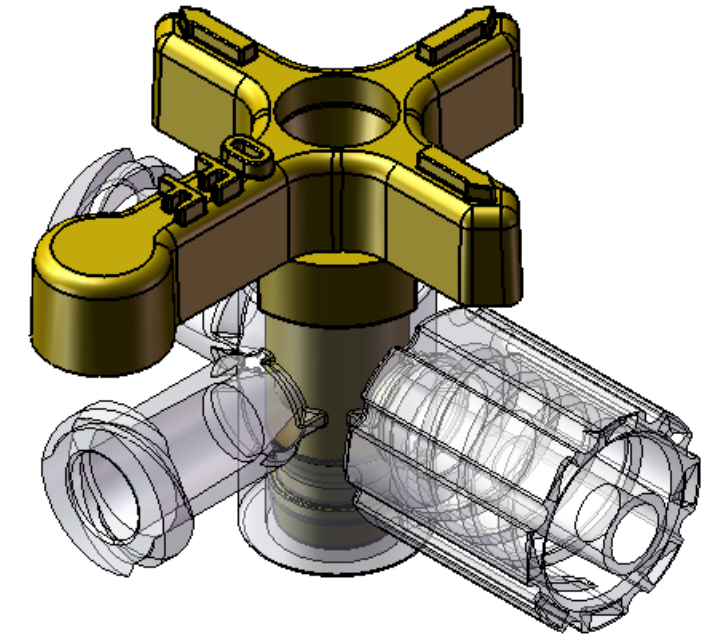
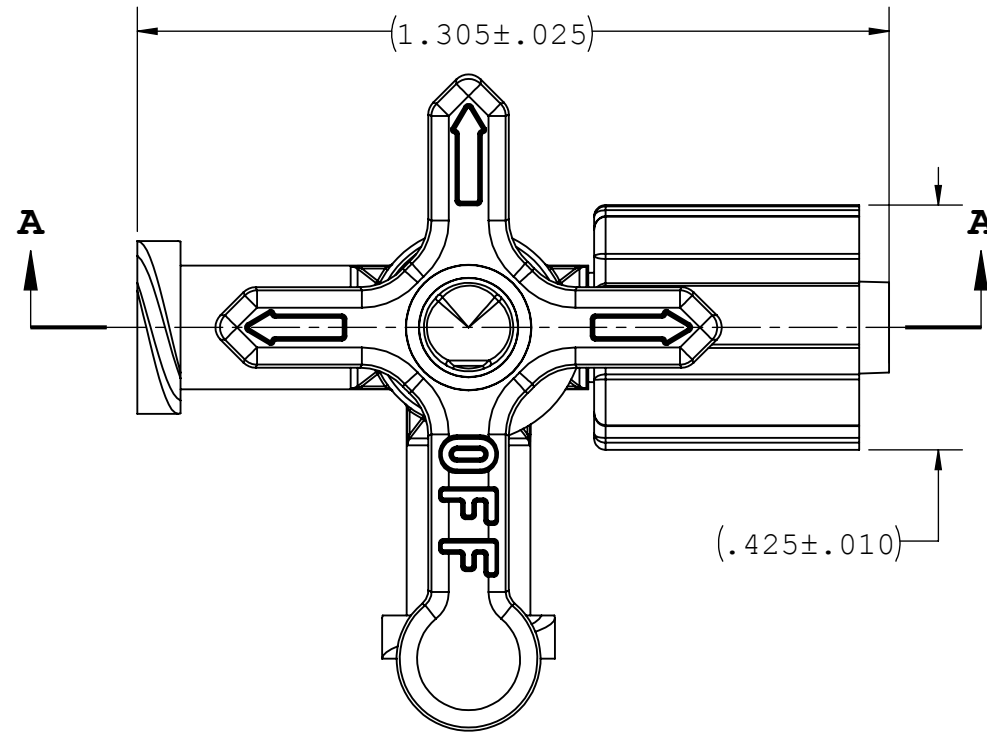
**FOR REFERENCE ONLY**

NOTES: FOR ADDITIONAL DETAILS, PLEASE CONTACT VP CUSTOMER SERVICE  
 DIMENSIONS MARKED  $\varnothing$  ARE CONTROL DIMENSIONS

PARTS ARE ASSEMBLED IN THE ORIENTATION SHOWN ON THE DRAWING

ANGLE ALLOWANCE OF DIVERTER  $\pm 10$  DEGREES

REVISIONS			
REV.	DESCRIPTION	DATE	APPROVED
A	INITIAL RELEASE	03/10/16	K.R.S.



UNLESS OTHERWISE SPECIFIED DIMENSIONS ARE IN INCHES TOLERANCES ARE:		<b>VALUE PLASTICS, INC</b>			
FRACTIONS	DECIMAL				
±	.XX ±.01	± 1°	DESCRIPTION:	CUSTOM STOPCOCK, 3-WAY, FL TO FL TO ML, LUER LOCK RING, HIGH PRESSURE	
	.XXX ±.005		SIZE:	B	
	.XXXX ±.001		SCALE:	NTS	
DO NOT SCALE DRAWING			VER:		
DRAWN BY:	DATE:	SIZE:	DWG. NO.	REV	
Marie M.J.	3/10/2016	B	1038876	A	
MANAGER:		© 2014 VALUE PLASTICS, INC		SHEET: 1 OF 1	
kyles					

**FOR REFERENCE ONLY**