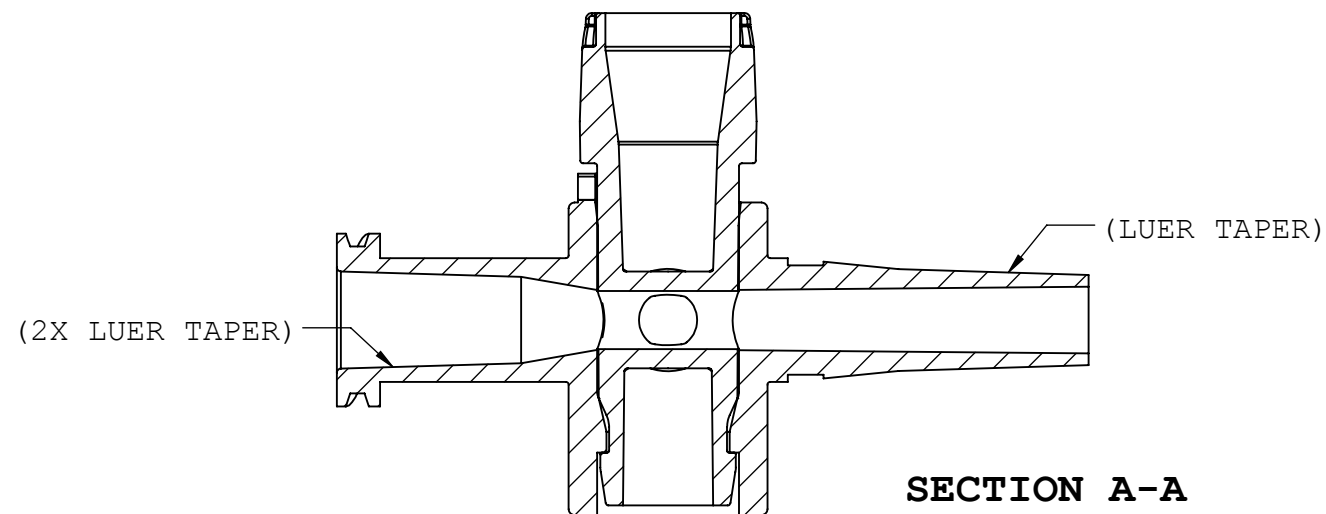
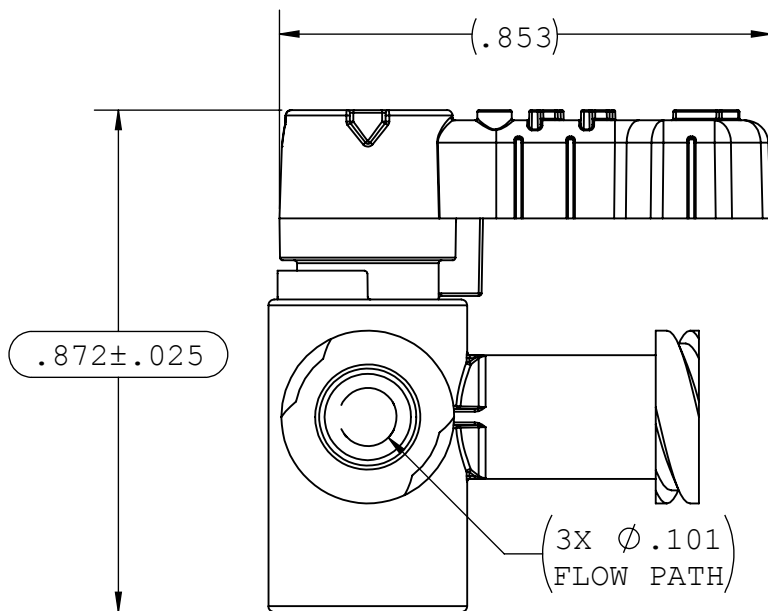
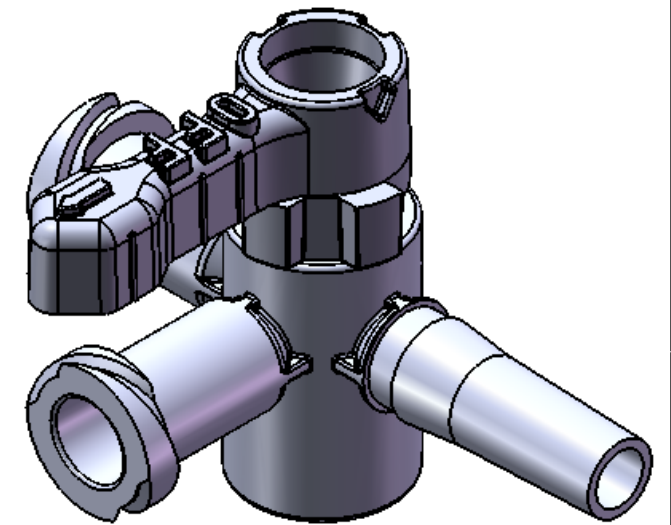
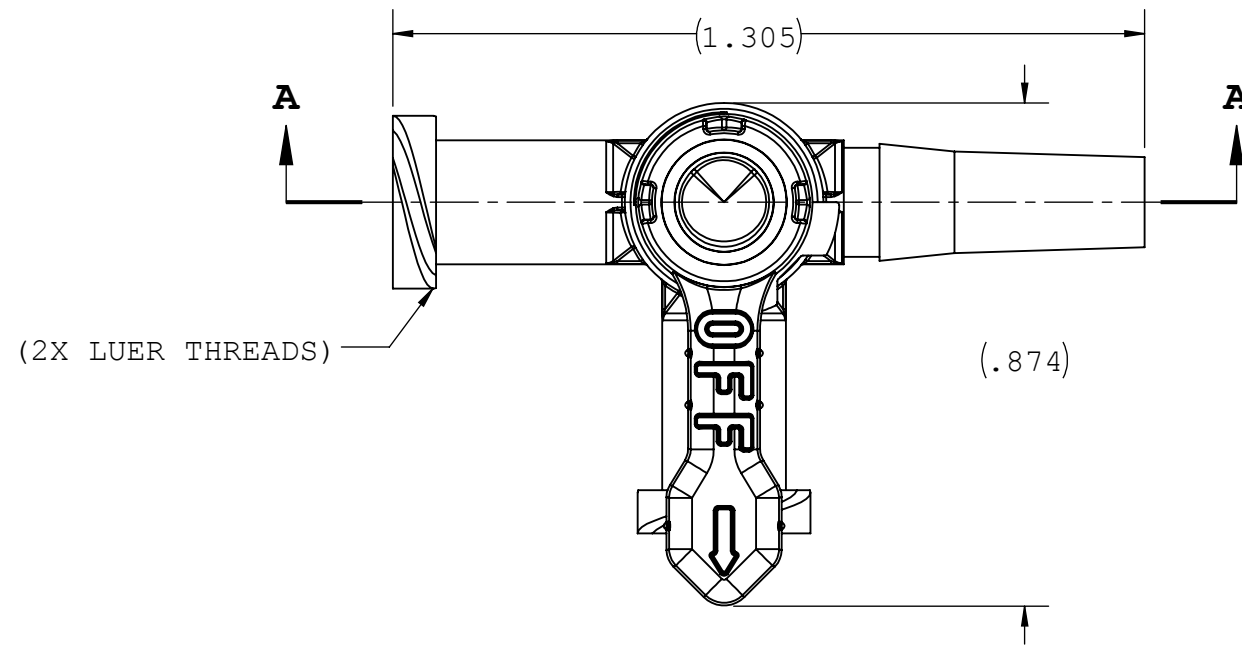


NOTES: FOR ADDITIONAL DETAILS, PLEASE CONTACT VP CUSTOMER SERVICE
 DIMENSIONS MARKED \varnothing ARE CONTROL DIMENSIONS
 PARTS ARE ASSEMBLED IN THE ORIENTATION SHOWN ON THE DRAWING
 ANGLE ALLOWANCE OF DIVERTER ± 10 DEGREES

REVISIONS			
REV.	DESCRIPTION	DATE	APPROVED
A	INITIAL RELEASE	09/05/14	K.R.S.
B	ECO 311	03/16/16	K.R.S.



SECTION A-A

UNLESS OTHERWISE SPECIFIED DIMENSIONS ARE IN INCHES TOLERANCES ARE:		VALUE PLASTICS, INC			
FRACTIONS DECIMAL ANGULAR ± .XX ±.01 ± 1° .XXX ±.005 .XXXX ±.001		PART NUMBER: FCLBFFM-1A			
DO NOT SCALE DRAWING		DESCRIPTION: STOPCOCK, 3-WAY, LG BORE, FL TO FL TO ML BODY, 1 ARROW DIVERTER			
DRAWN BY: marie.morleyjahn	DATE: 4/4/2016	SIZE: B	SCALE: NTS	VER: 	DWG. NO. 1031766
MANAGER: kyles		© 2014 VALUE PLASTICS, INC			REV B
				SHEET:	1 OF 1

FOR REFERENCE ONLY