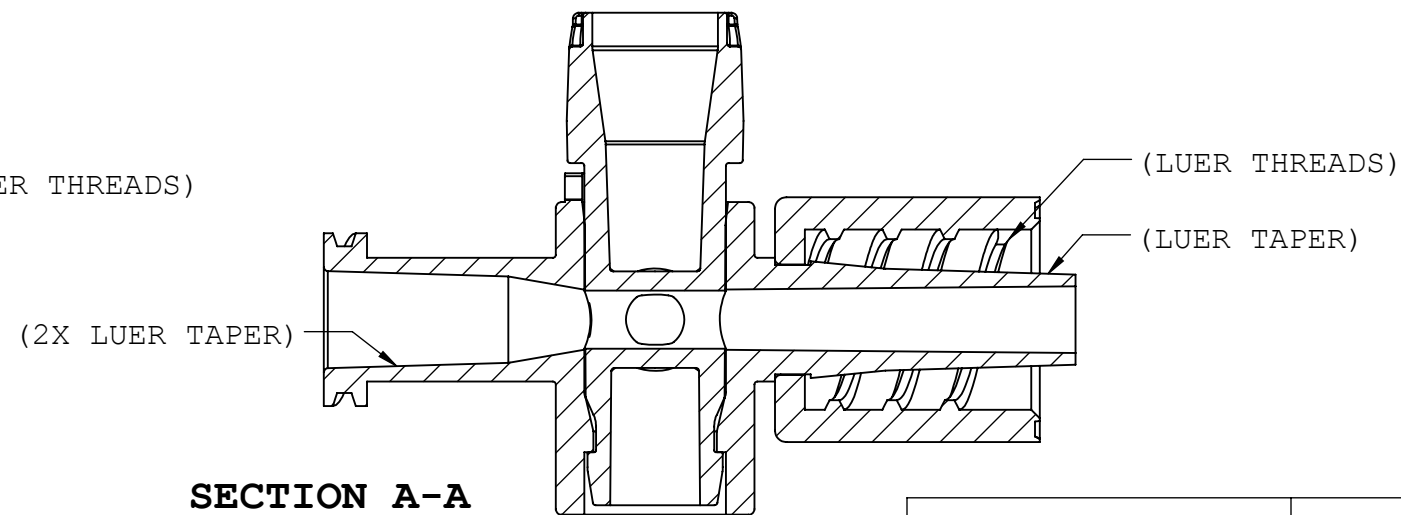
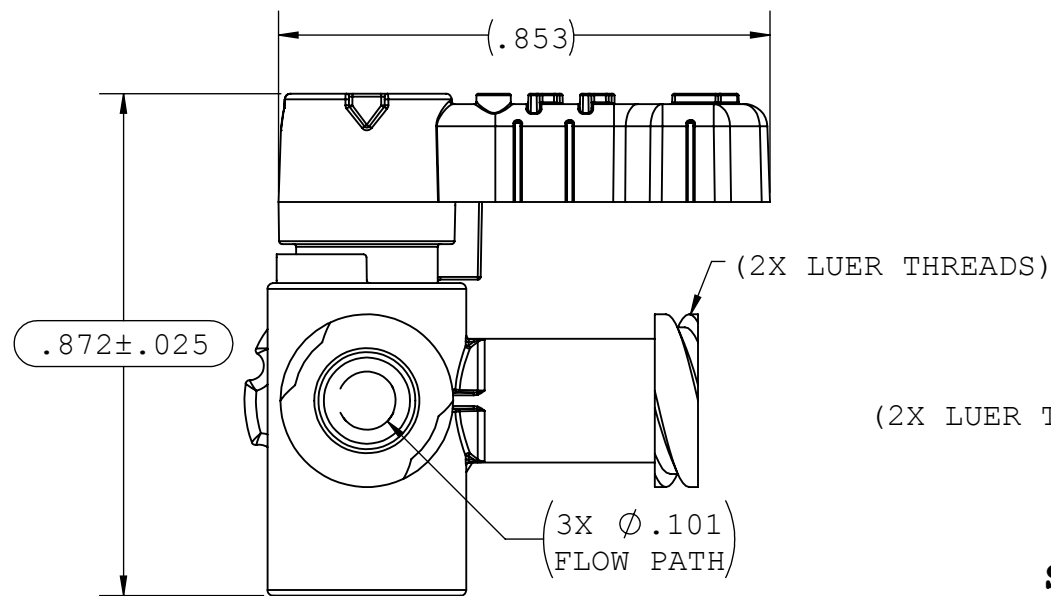
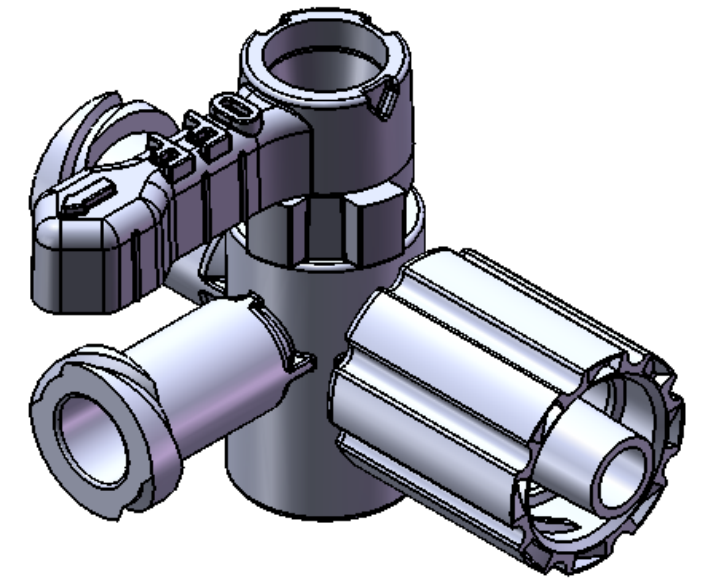
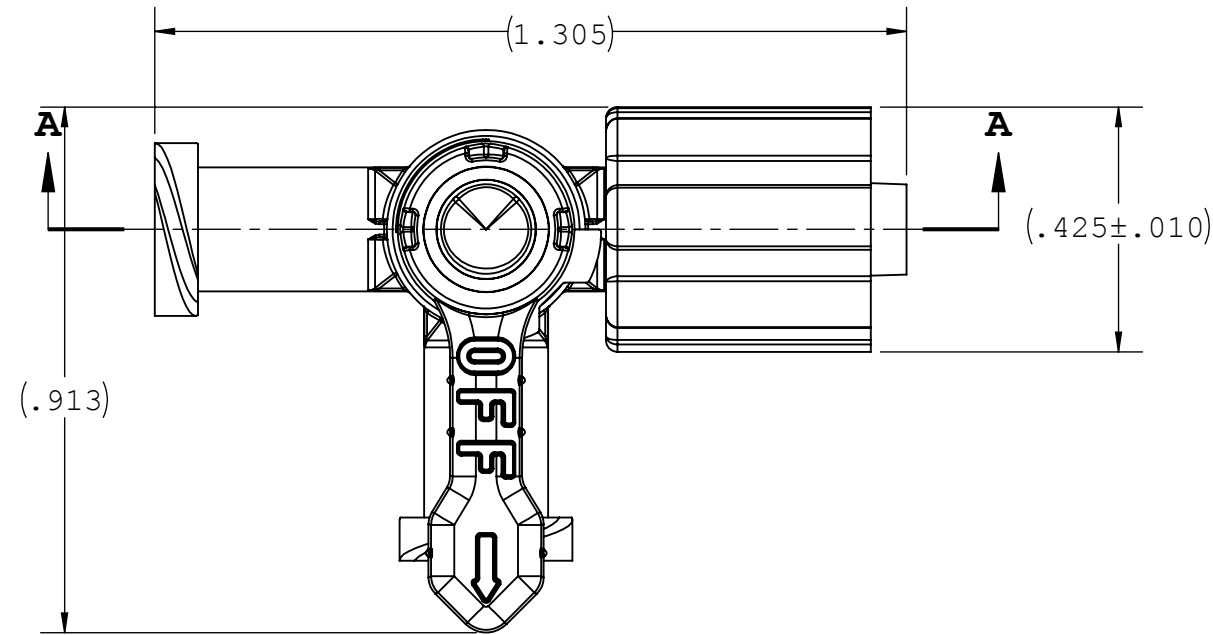


NOTES: FOR ADDITIONAL DETAILS, PLEASE CONTACT VP CUSTOMER SERVICE  
 DIMENSIONS MARKED  $\square$  ARE CONTROL DIMENSIONS  
 PARTS ARE ASSEMBLED IN THE ORIENTATION SHOWN ON THE DRAWING  
 ANGLE ALLOWANCE OF DIVERTER  $\pm 10$  DEGREES

| REVISIONS |                 |          |          |
|-----------|-----------------|----------|----------|
| REV.      | DESCRIPTION     | DATE     | APPROVED |
| A         | INITIAL RELEASE | 09/15/14 | K.R.S.   |
| B         | ECO 311         | 03/16/16 | K.R.S.   |



SECTION A-A

UNLESS OTHERWISE SPECIFIED  
 DIMENSIONS ARE IN INCHES  
 TOLERANCES ARE:

| FRACTIONS | DECIMAL          | ANGULAR       |
|-----------|------------------|---------------|
| $\pm$     | .XX $\pm .01$    | $\pm 1^\circ$ |
|           | .XXX $\pm .005$  |               |
|           | .XXXX $\pm .001$ |               |

DO NOT SCALE DRAWING

**VALUE PLASTICS, INC**

PART NUMBER: FCLBFFMR-1A

DESCRIPTION: STOPCOCK, 3-WAY, LG BORE, FL TO FL TO ML BODY,  
 1 ARROW DIVERTER, LUER LOCK NUT

DRAWN BY: marie.morleyjahn  
 DATE: 4/4/2016

| SIZE:    | SCALE: | VER: | DWG. NO. | REV |
|----------|--------|------|----------|-----|
| <b>B</b> | NTS    |      | 1031770  | B   |

MANAGER:  
 kyles

© 2014 VALUE PLASTICS, INC SHEET: 1 OF 1

**FOR REFERENCE ONLY**