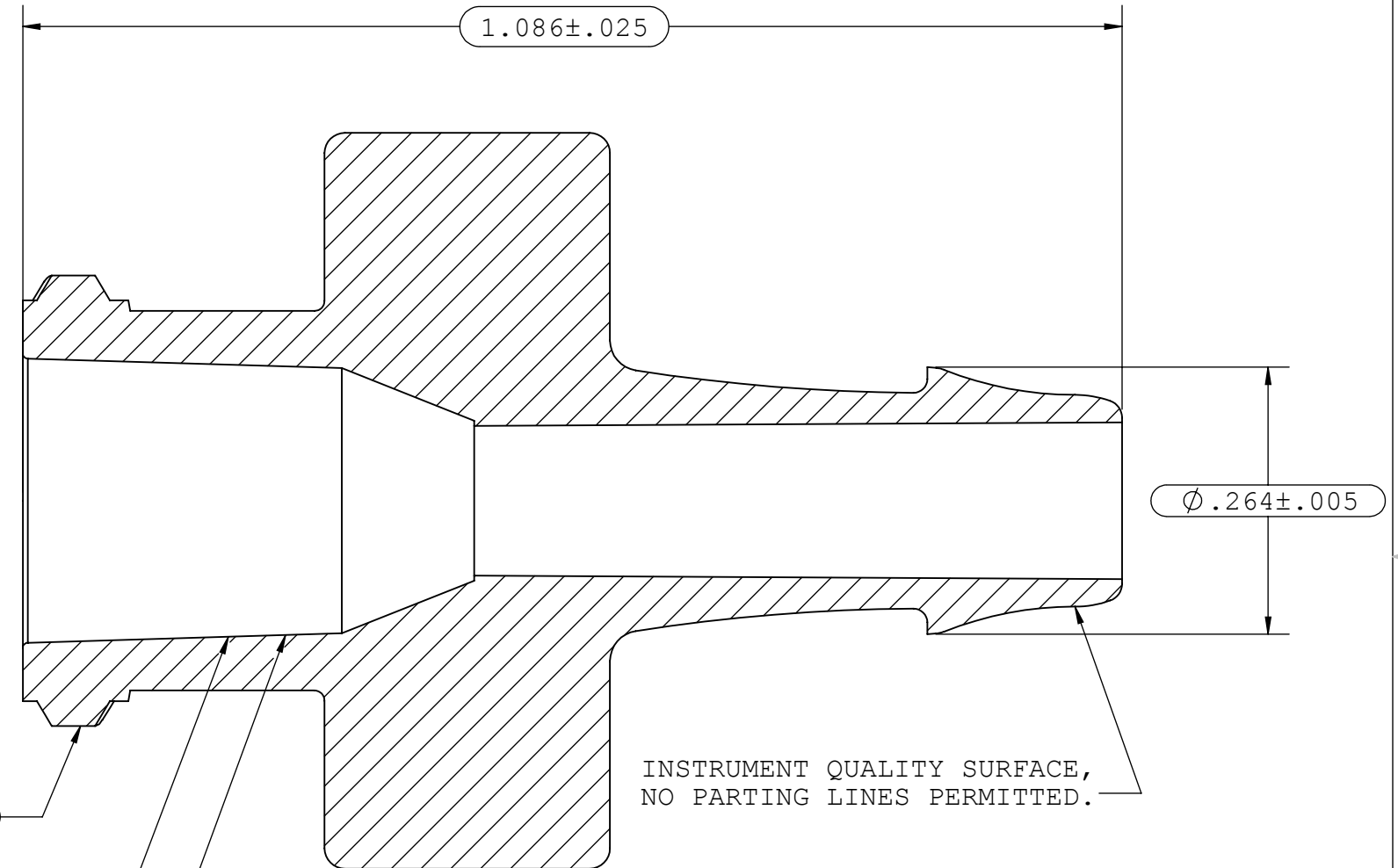
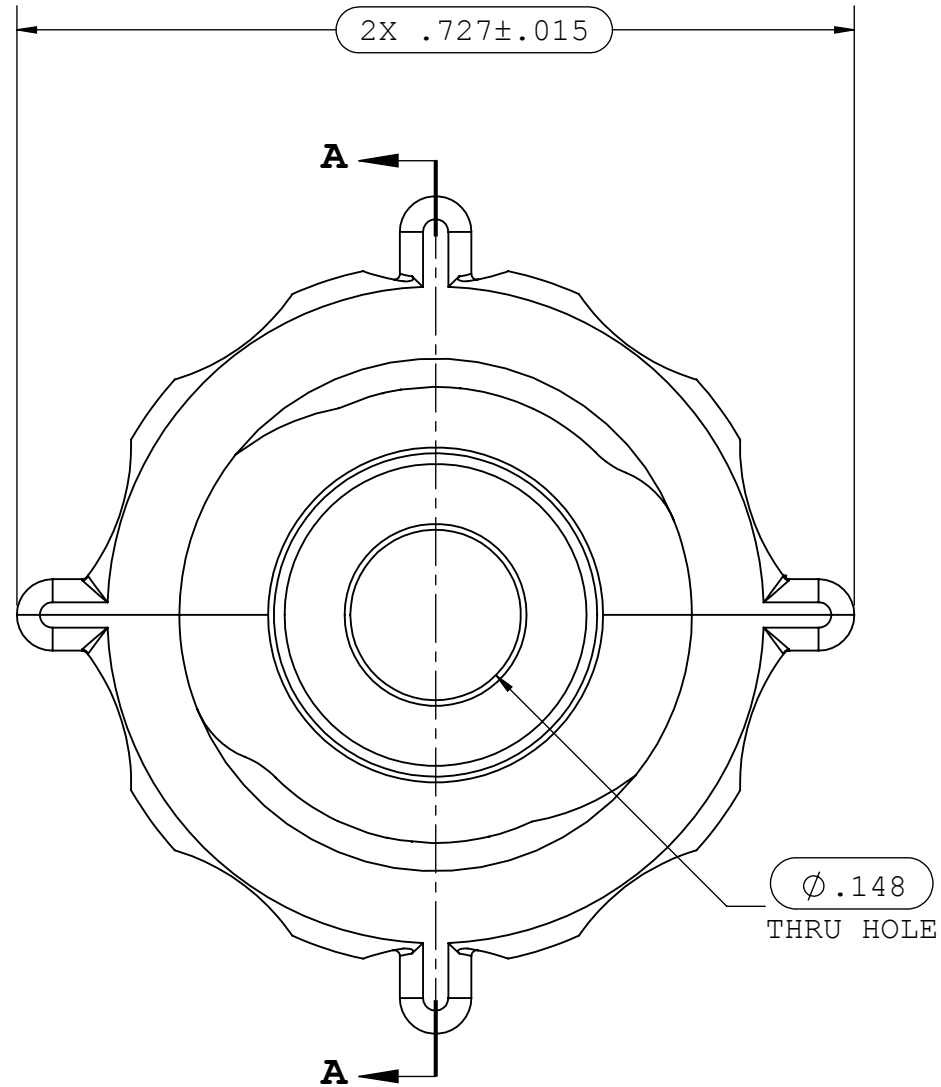


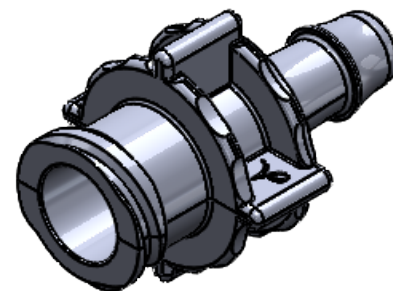
NOTES: FOR ADDITIONAL DETAILS, PLEASE CONTACT VP CUSTOMER SERVICE  
 DIMENSIONS MARKED  $\varnothing$  ARE CONTROL DIMENSIONS

REVISIONS			
REV.	DESCRIPTION	DATE	APPROVED
A	INITIAL RELEASE	06/01/03	
B	CO 016 DRAFTING UPDATE	05/27/05	Rick C.
C	ECO 356	06-19-17	FJL



INSTRUMENT QUALITY SURFACE,  
NO PARTING LINES PERMITTED.

**SECTION A-A**



UNLESS OTHERWISE SPECIFIED DIMENSIONS ARE IN INCHES TOLERANCES ARE:		<b>VALUE PLASTICS, INC</b>			
FRACTIONS    DECIMAL    ANGULAR ±            .XX ±.01            ± 1° .XXX ±.005 .XXXX ±.001		PART NUMBER: FLB035			
DO NOT SCALE DRAWING		DESCRIPTION: FEMALE LARGE BORE CONNECTOR TO 500 SERIES BARB, 1/4" (6.25 mm) I.D. TUBING			
DRAWN BY: marie.morleyjahn	DATE: 6/19/2017	SIZE: <b>B</b>	SCALE: NTS	VER: 1006496	DWG. NO. 1006496
NEW PRODUCT DEVELOPMENT MGR: Frank.Lombardi		© 2017 VALUE PLASTICS, INC			REV C
				SHEET: 1 OF 1	

**FOR REFERENCE ONLY**