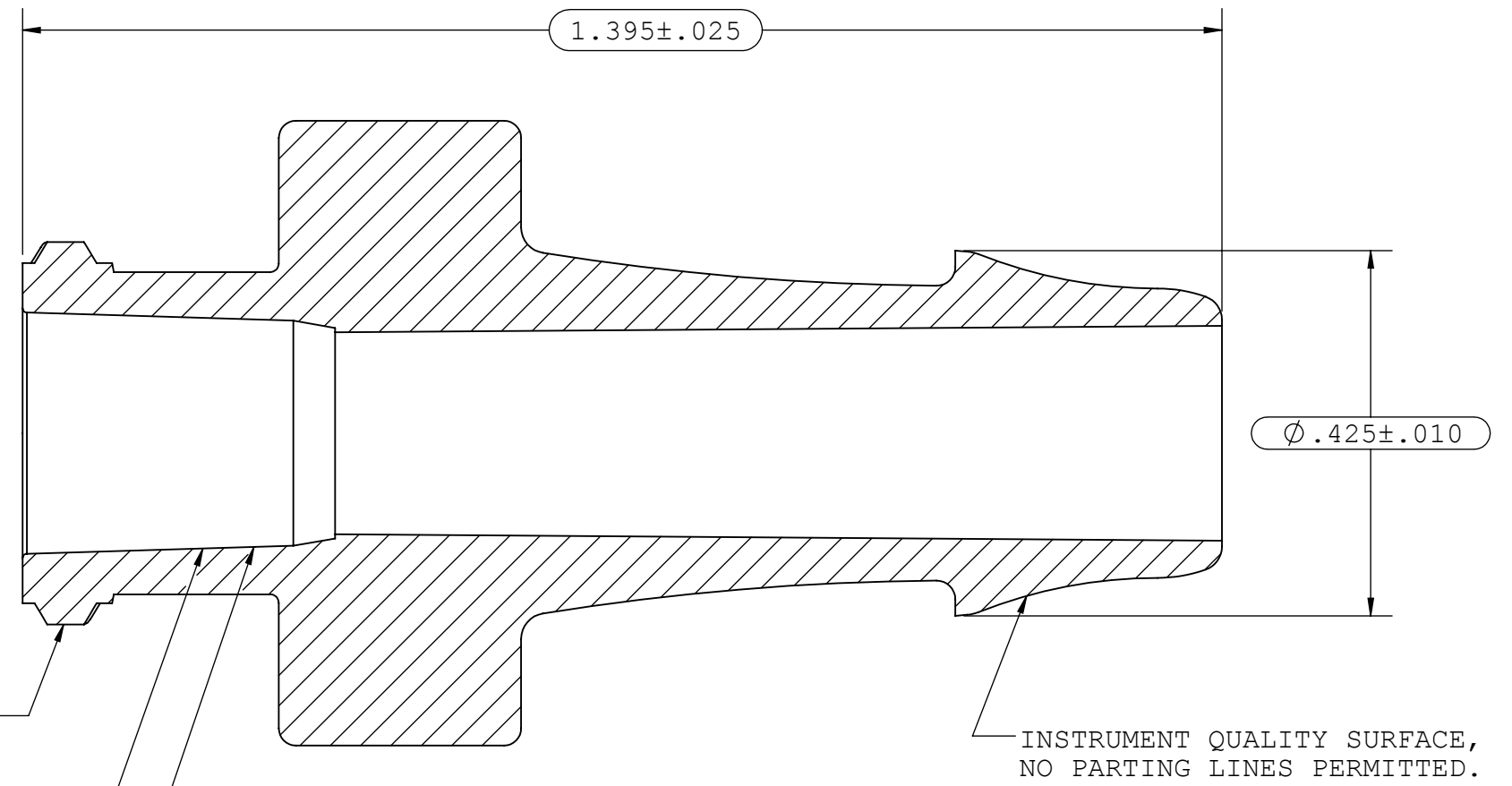
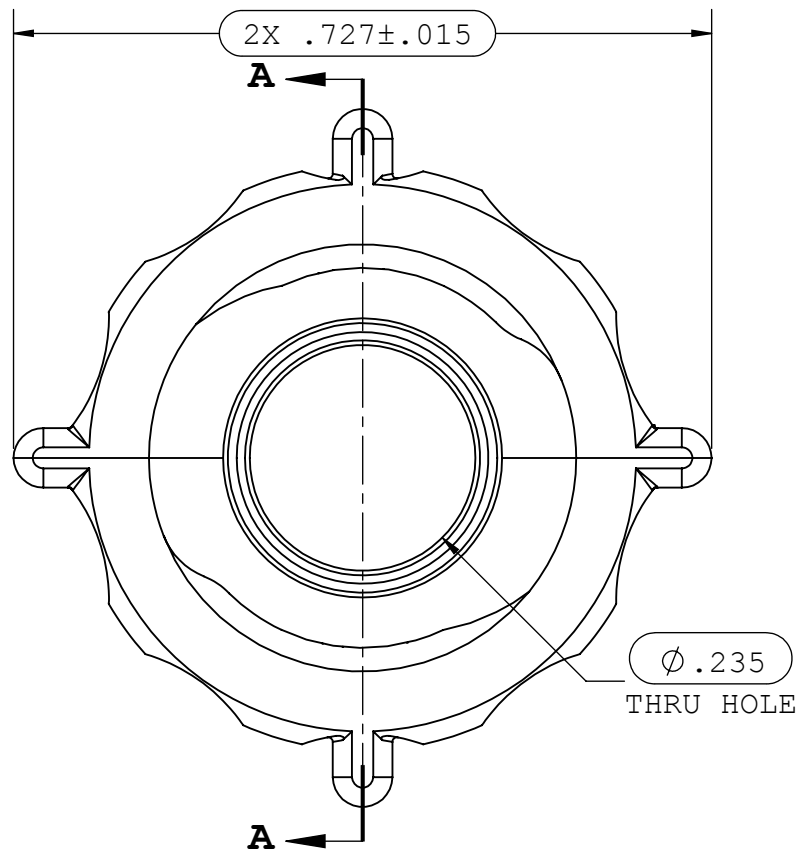
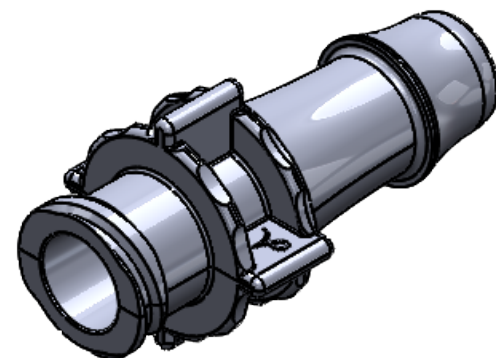


NOTES: FOR ADDITIONAL DETAILS, PLEASE CONTACT VP CUSTOMER SERVICE
 DIMENSIONS MARKED $\text{\textcircled{\hspace{1em}}}$ ARE CONTROL DIMENSIONS

REVISIONS			
REV.	DESCRIPTION	DATE	APPROVED
A	INITIAL RELEASE	06/01/03	
B	CO 016 DRAFTING UPDATE	05/27/05	Rick C.
C	ECO 356	06-19-17	FJL



SECTION A-A



UNLESS OTHERWISE SPECIFIED DIMENSIONS ARE IN INCHES TOLERANCES ARE:		VALUE PLASTICS, INC			
FRACTIONS DECIMAL ANGULAR ± .XX ±.01 ± 1° .XXX ±.005 .XXXX ±.001		PART NUMBER: FLB065			
DO NOT SCALE DRAWING		DESCRIPTION: FEMALE LARGE BORE CONNECTOR TO 500 SERIES BARB, 5/16" (7.9 mm) I.D. TUBING			
DRAWN BY: marie.morleyjahn	DATE: 6/30/2017	SIZE: B	SCALE: NTS	VER: 	DWG. NO. 1006508
NEW PRODUCT DEVELOPMENT MGR: Frank.Lombardi		© 2017 VALUE PLASTICS, INC			REV C
				SHEET: 1 OF 1	

FOR REFERENCE ONLY