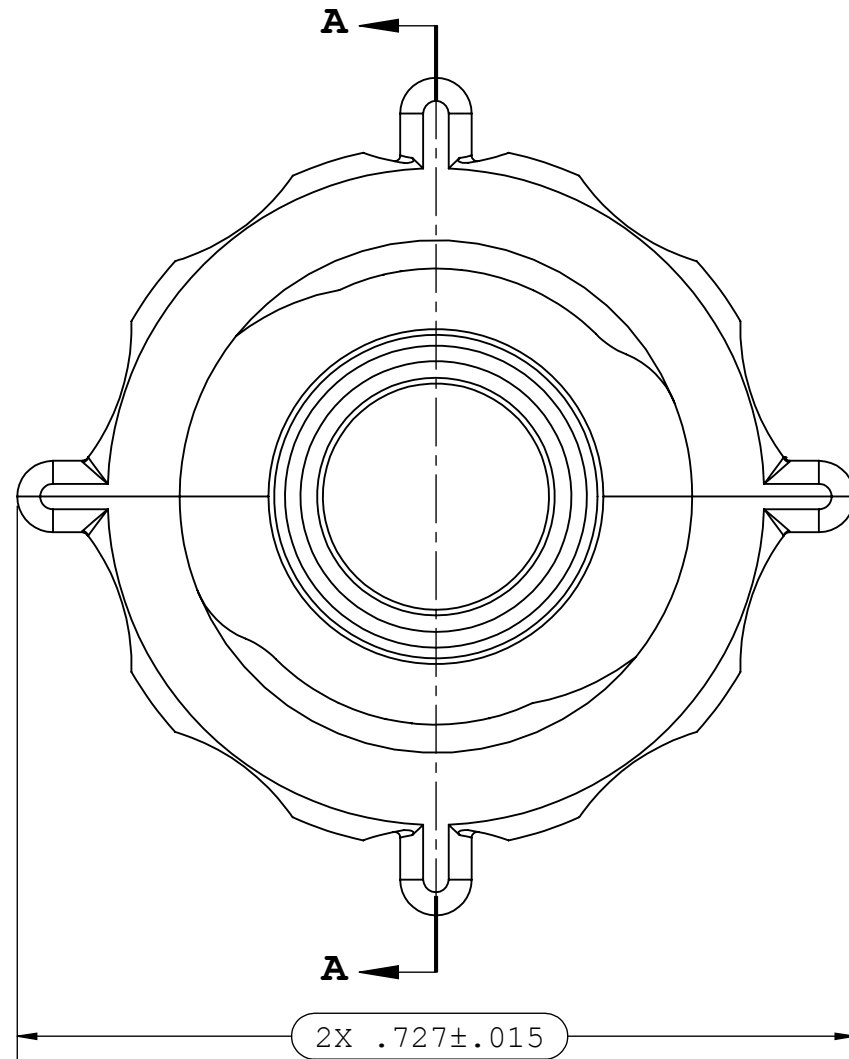


NOTES: FOR ADDITIONAL DETAILS, PLEASE CONTACT VP CUSTOMER SERVICE  
 DIMENSIONS MARKED  ARE CONTROL DIMENSIONS

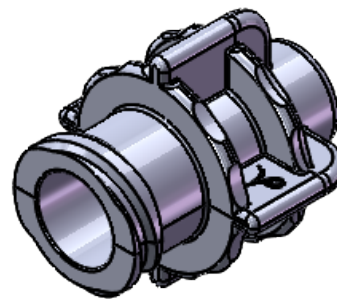
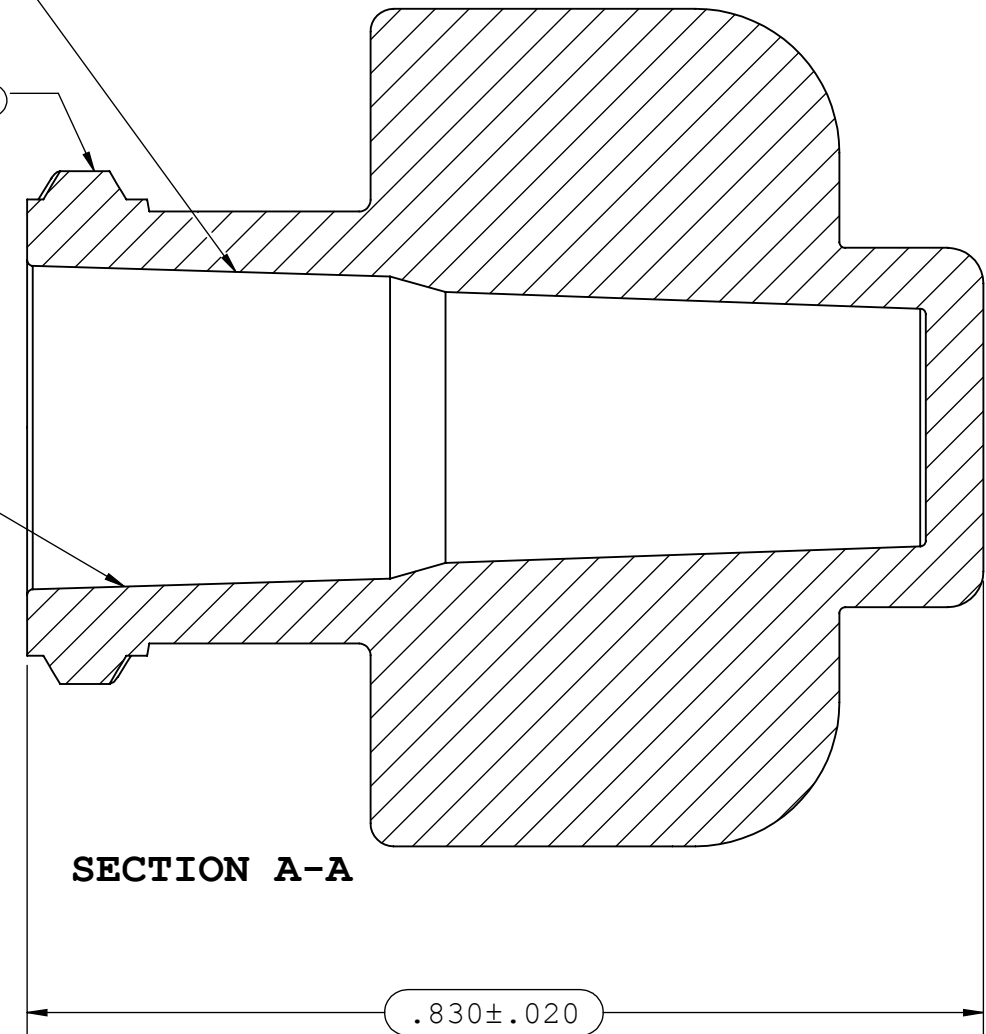
REVISIONS			
REV.	DESCRIPTION	DATE	APPROVED
A	INITIAL RELEASE	03/11/03	
B	CO 046 DRAFTING UPDATE	03/11/09	Rick C.
C	ECO 356	06-19-17	FJL



LARGE BORE TAPER

LARGE BORE THREADS

INSTRUMENT QUALITY SURFACE,  
 NO PARTING LINES PERMITTED.



UNLESS OTHERWISE SPECIFIED DIMENSIONS ARE IN INCHES TOLERANCES ARE:		<b>VALUE PLASTICS, INC</b>			
FRACTIONS    DECIMAL    ANGULAR ±            .XX ±.01            ± 1° .XXX ±.005 .XXXX ±.001		PART NUMBER: FLBP			
DO NOT SCALE DRAWING		DESCRIPTION: FEMALE LARGE BORE CONNECTOR PLUG			
DRAWN BY: marie.morleyjahn	DATE: 6/30/2017	SIZE: <b>B</b>	SCALE: NTS	VER: 	DWG. NO.    REV 1010253    C
NEW PRODUCT DEVELOPMENT MGR: Frank.Lombardi		© 2017 VALUE PLASTICS, INC			SHEET: 1 OF 1

**FOR REFERENCE ONLY**