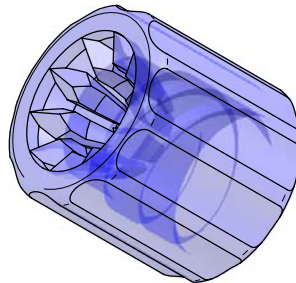
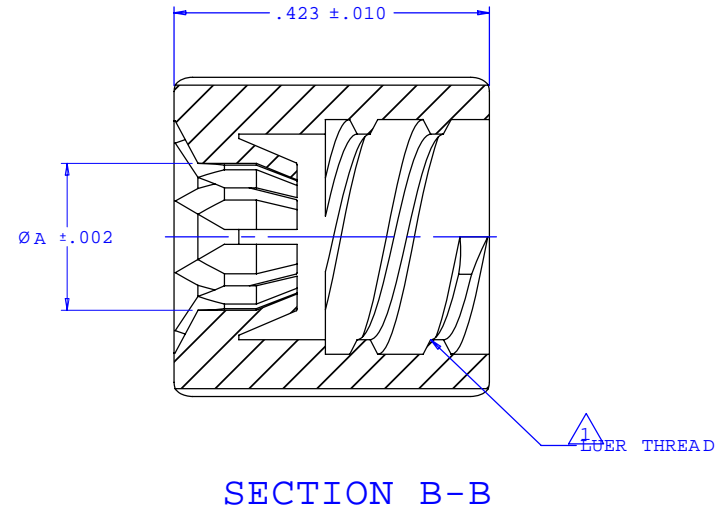
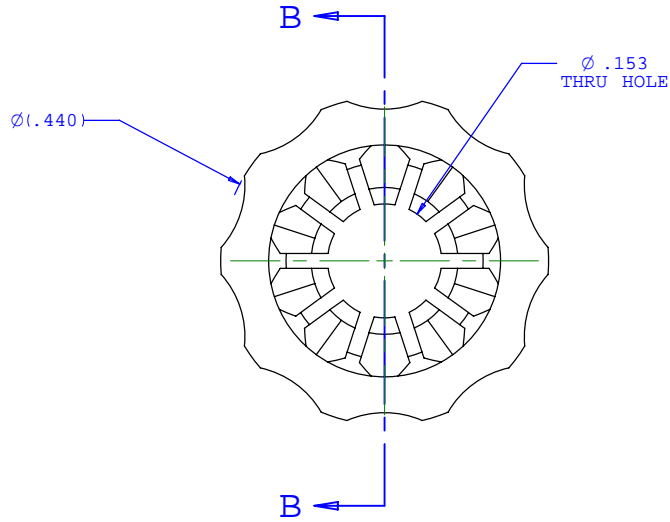


NOTE: FOR MORE DETAILS SEE YOUR V.P. CUSTOMER SERVICE REP.

REVISIONS			
REV.	DESCRIPTION	DATE	APPROVED
A	ECO-0045	01-02-02	
B	CO 016 Drafting Update	06-14-05	Rick C.
C	CO 022 Mod for Fit	12-05-05	Rick C.



Dimension	Material Specific Tolerances							
	Acetal	Nylon	PP	ABS	PC	PVC	Polysulfone	J1A
A	.197	.197	.197	.197	.199	.197	.197	.197
B								
C								
D								
E								
F								

UNLESS OTHERWISE SPECIFIED DIMENSIONS ARE IN INCHES TOLERANCES ARE:		VALUE PLASTICS, INC.	
FRACTIONS DECIMALS ANGULAR ± .XX ±.01 ±1° .XXX ±.005 .XXXX ±.001		PART NUMBER: FSLLR	
DO NOT SCALE DRAWING		DESCRIPTION: Finger Snap Luer Lock Ring	
DRAWN BY: Frank Lombardi 11-29-05	DATE:	SIZE: B SCALE: NTS	DRAWING NUMBER: 1005262 REV. C
Engineer/Manager: Rick Cairns		© 2005 VALUE PLASTICS, INC. SHEET: 1 OF 1	

FOR REFERENCE ONLY