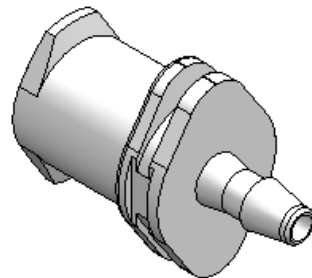
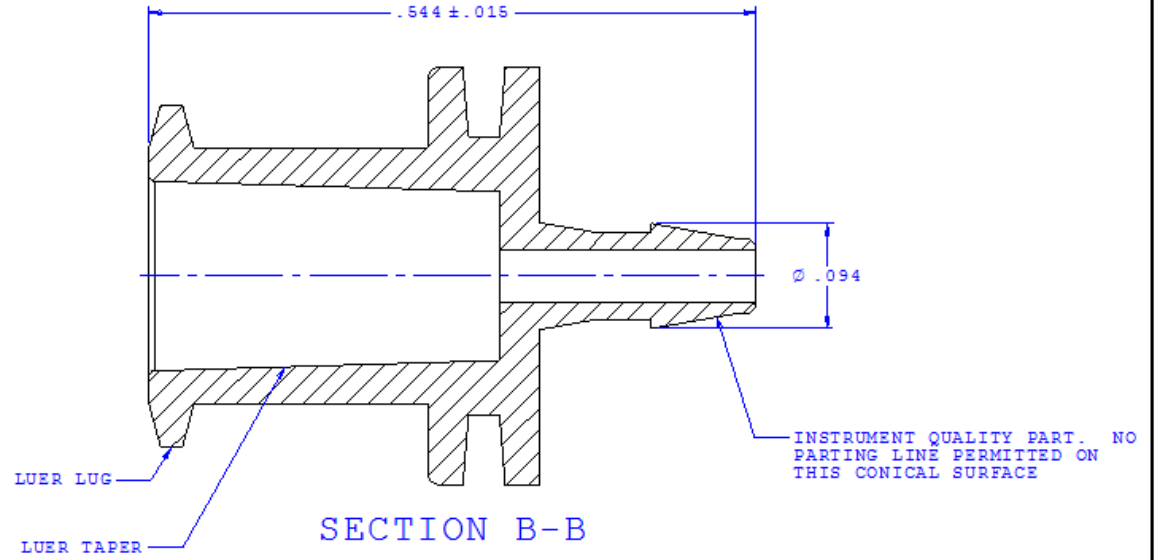
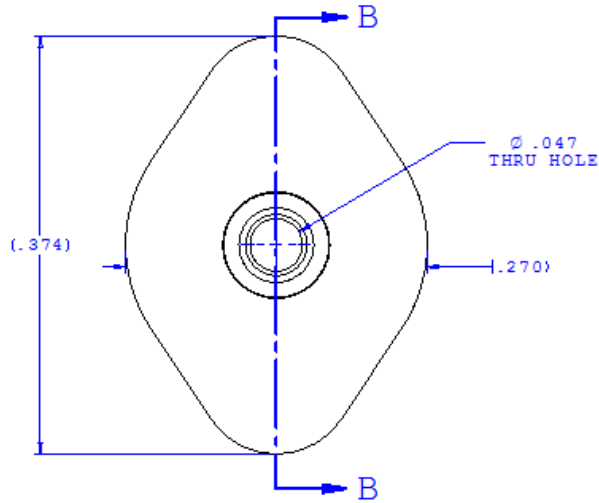


NOTE: FOR MORE DETAILS SEE YOUR V.P. CUSTOMER SERVICE REP.

REVISIONS			
REV.	DESCRIPTION	DATE	APPROVED
A	INITIAL RELEASE	07-30-97	
B	CO 016 Drafting Update	6-20-06	Rick C.



UNLESS OTHERWISE SPECIFIED DIMENSIONS ARE IN INCHES TOLERANCES ARE: FRACTIONS DECIMALS ANGULAR ° .XXX 0.01 °' .XXX 0.005 °' .XXXX 0.001 °'		<b>VALUE PLASTICS, INC.</b>	
DO NOT SCALE DRAWING		PART NUMBER: <b>FTL210</b>	
DRAWN BY: <b>Frank Lombardi 05-02-05</b>		DESCRIPTION: <b>Female Luer Lug Style to 200 Series Barb, 1/16" (1.5 mm) ID Tubing</b>	
DATE: <b>05-02-05</b>	SCALE: <b>NTS</b>	DRAWING NUMBER: <b>1006811</b>	REV. <b>B</b>
ENGINEER MANAGER: <b>Rick Cairns</b>	© 2005 VALUE PLASTICS, INC.		HEET: <b>1 OF 1</b>

**FOR REFERENCE ONLY**