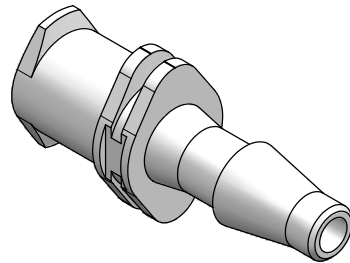
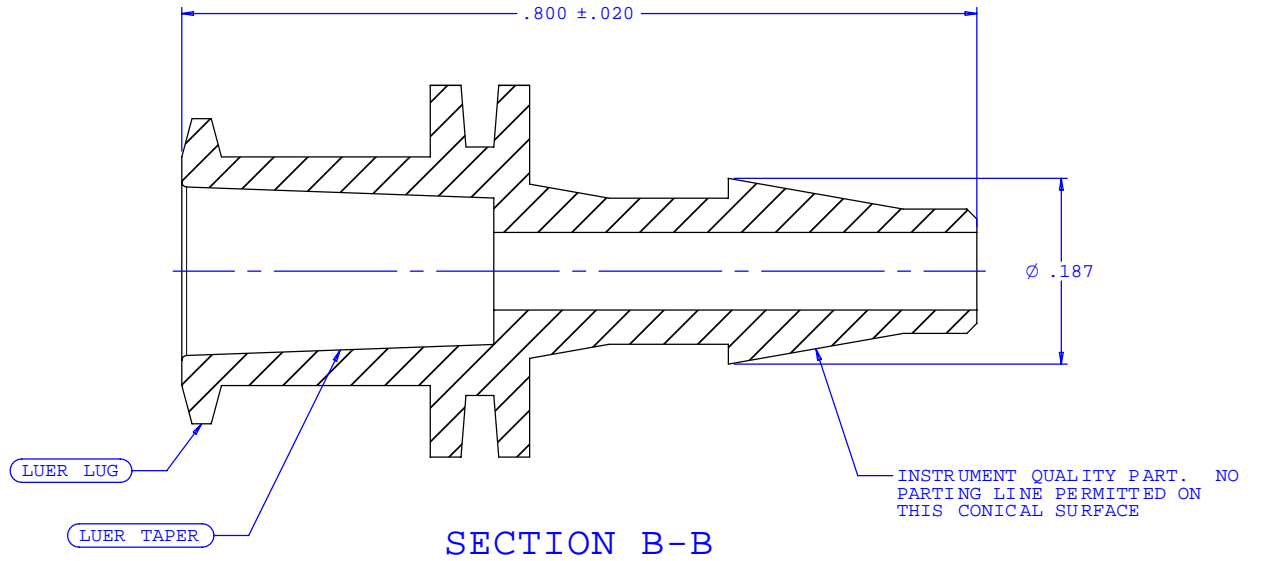
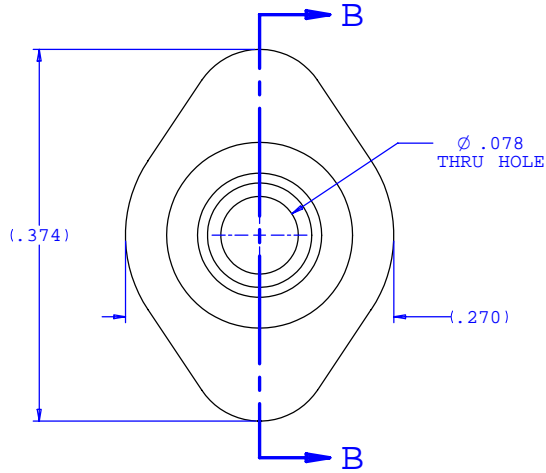


NOTE: FOR MORE DETAILS SEE YOUR V.P. CUSTOMER SERVICE REP.

REVISIONS			
REV.	DESCRIPTION	DATE	APPROVED
A	INITIAL RELEASE	09-10-97	
B	CO 016 Drafting Update	06-14-05	Rick C.



UNLESS OTHERWISE SPECIFIED DIMENSIONS ARE IN INCHES TOLERANCES ARE:		<b>VALUE PLASTICS, INC.</b>	
FRACTIONS ±	DECIMALS .XX ±.01 .XXX ±.005 .XXXX ±.001	ANGULAR ±1°	PART NUMBER: <b>FTL30</b>
DO NOT SCALE DRAWING		DESCRIPTION: Female Luer Lug Style to Classic Series Barb, 1/8" (3 mm) ID Tubing	
DRAWN BY: <b>Frank Lombardi 05-02-05</b>	DATE:	SIZE: <b>B</b> SCALE: <b>NTS</b>	DRAWING NUMBER: <b>1006518</b> REV. <b>B</b>
Engineer/Manager: <b>Rick Cairns</b>		© 2005 VALUE PLASTICS, INC.	SHEET: 1 OF 1

**FOR REFERENCE ONLY**