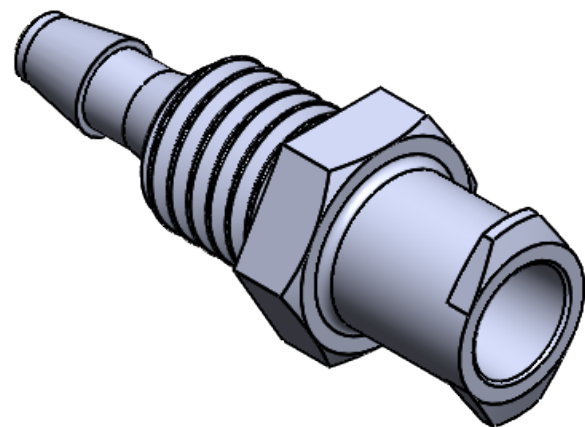
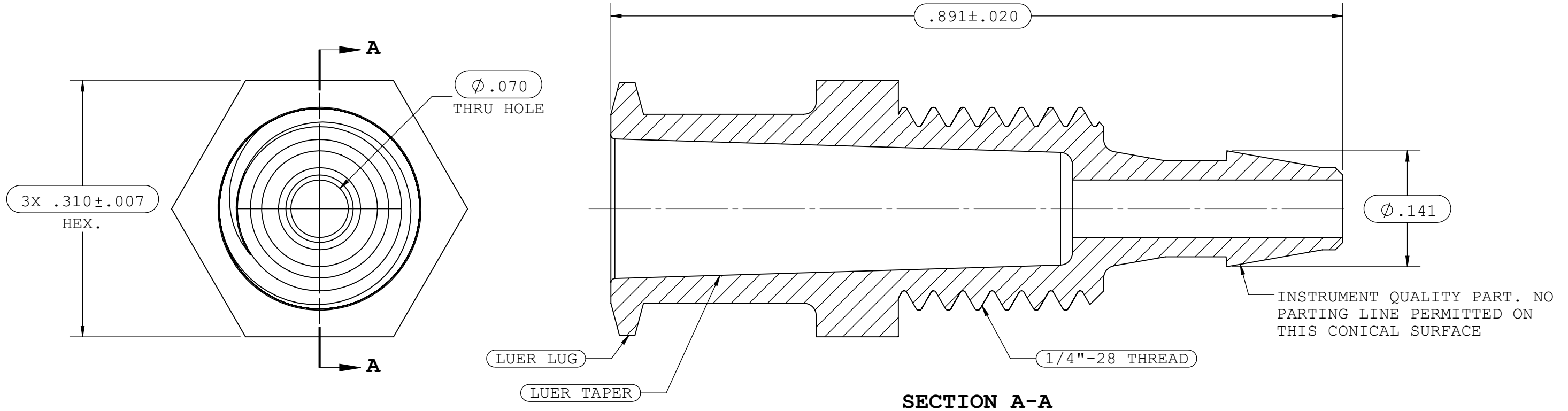


NOTES: FOR ADDITIONAL DETAILS, PLEASE CONTACT VP CUSTOMER SERVICE
 DIMENSIONS MARKED ϕ ARE CONTROL DIMENSIONS

REVISIONS			
REV.	DESCRIPTION	DATE	APPROVED
A	INITIAL RELEASE	03-06-97	
B	CO 016 DRAFTING UPDATE	05-27-05	RICK C.
C	ECO 1105145	08-17-20	FJL



UNLESS OTHERWISE SPECIFIED DIMENSIONS ARE IN INCHES TOLERANCES ARE:		VALUE PLASTICS, INC			
FRACTIONS DECIMAL ANGULAR ± .XX ± .01 ± 1° .XXX ± .005 .XXXX ± .001		PART NUMBER: FTLB220			
DO NOT SCALE DRAWING		DESCRIPTION: FEMALE LUER LUG STYLE PANEL MOUNT 1/4-28 UNF TO 200 SERIES BARB, 3/32" (2.25 mm) ID TUBING			
DRAWN BY: Frank Lombardi	DATE: 05-06-05	SIZE: B	SCALE: NTS	VER: 	DWG. NO. 1006627
MANAGER: Rick Cairns		© 2014 VALUE PLASTICS, INC			REV: C
				SHEET: 1 OF 1	

FOR REFERENCE ONLY