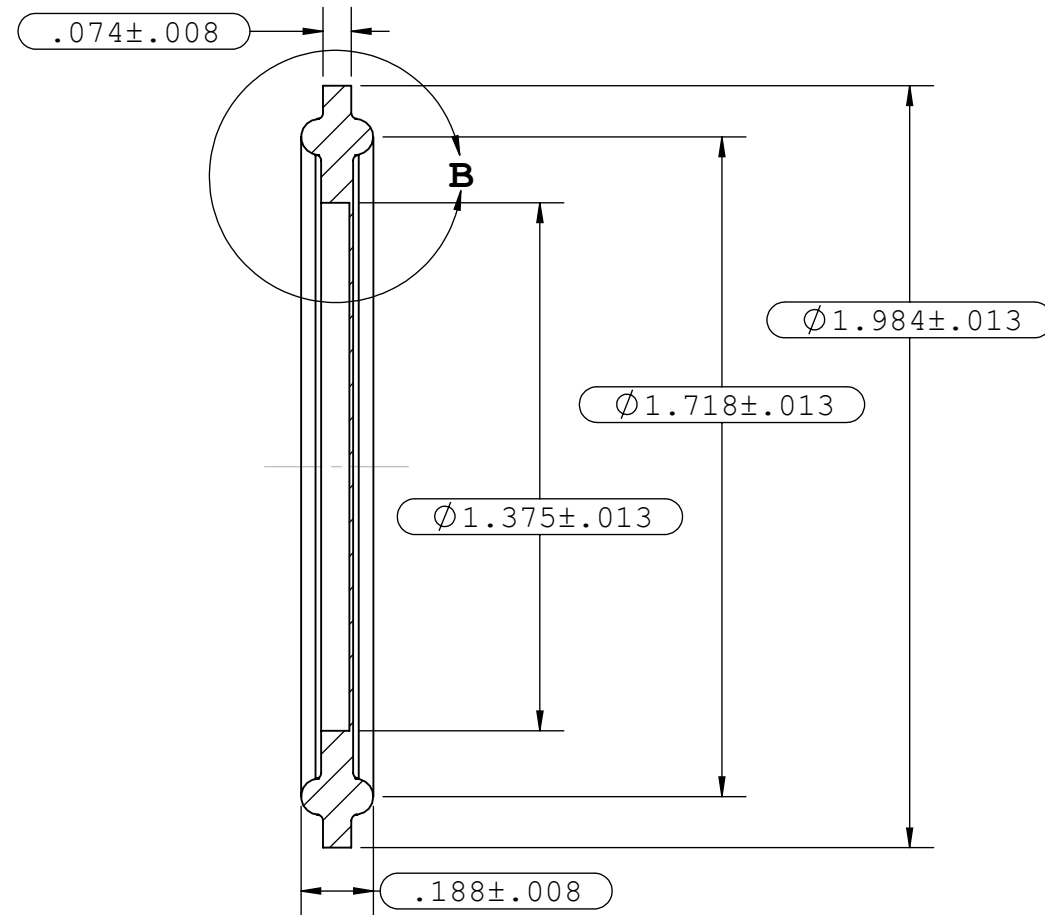
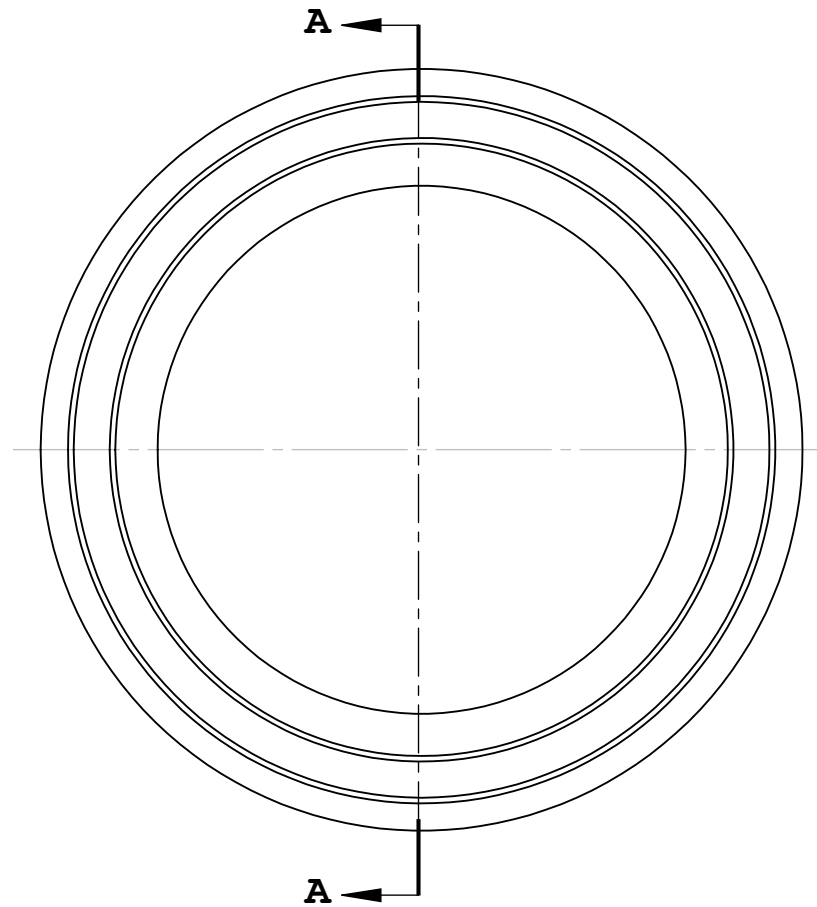
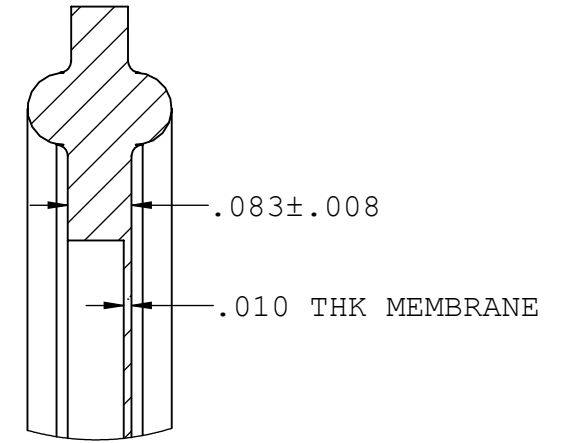


NOTES: FOR ADDITIONAL DETAILS, PLEASE CONTACT VP CUSTOMER SERVICE
 DIMENSIONS MARKED  ARE CONTROL DIMENSIONS

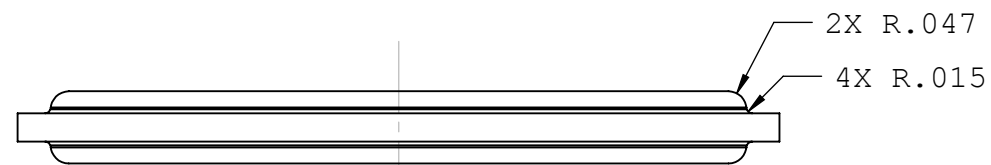
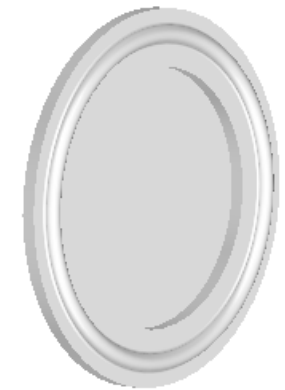
REVISIONS			
REV.	DESCRIPTION	DATE	APPROVED
A	INITIAL RELEASE	08-23-16	FJL



SECTION A-A



DETAIL B



UNLESS OTHERWISE SPECIFIED DIMENSIONS ARE IN INCHES TOLERANCES ARE:		VALUE PLASTICS, INC				
FRACTIONS	DECIMAL					ANGULAR
±	.XX ±.01	± 1°	DESCRIPTION:	Guard Protector Gasket 1.5" Silicone Gauge		
	.XXX ±.005		SIZE:	B		
	.XXXX ±.001		SCALE:	NTS		
DO NOT SCALE DRAWING			VER:			
DRAWN BY:	DATE:	SIZE:	SCALE:	VER:	DWG. NO.	REV
Frank.Lombardi	8/23/2016	B	NTS		1042512	A
NEW PRODUCT DEVELOPMENT MGR:			© 2009 VALUE PLASTICS, INC		SHEET:	1 OF 1
Lou Huadong						

FOR REFERENCE ONLY