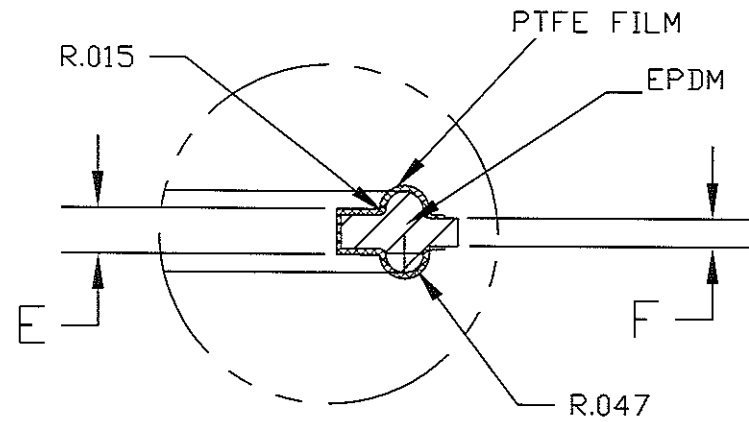


CROSS SECTION 2:1



INFORMATION SUPPLIED HEREIN IS PROPERTY OF RUBBER FAB TECHNOLOGIES GROUP. ANY MISUSE OF INFORMATION WITHOUT CONSENT WILL BE PROSECUTED.

SIZE	A	B	C	D	E	F	+/- TOL.
1.5	1.948	1.409	1.712	.208	.066	.078	.023

LET	REVISION	BY	DATE
RUBBER FAB TECHNOLOGIES GROUP SPARTA, NJ PH. (973) 579-2959 FAX (973) 579-7275			
PTFE BONDED EPDM GASKETS			
NAME	DATE	REVISION NO	
DRW BY KC	2-27-09	0	
			DRAWING NUMBER A40MPGR-TF-150-E