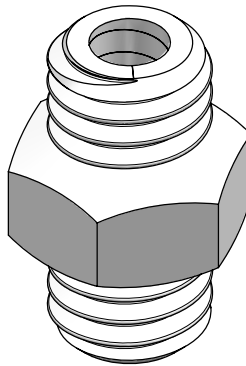
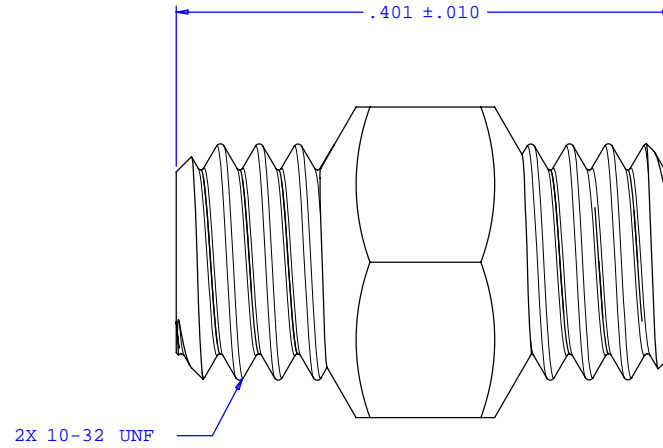
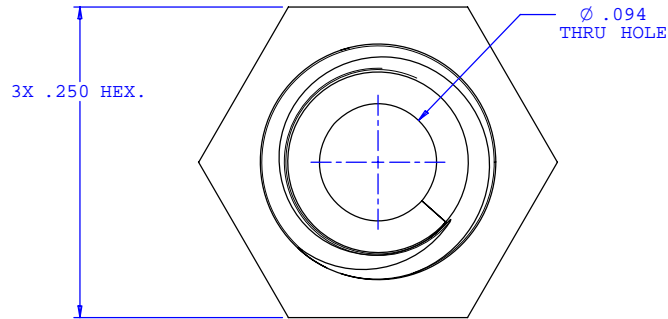


NOTE: FOR MORE DETAILS SEE YOUR V.P.CUSTOMER SERVICE REP.

| REVISIONS | | | |
|-----------|------------------------|----------|----------|
| REV. | DESCRIPTION | DATE | APPROVED |
| A | INITIAL RELEASE | 05-21-98 | |
| B | CO 031 Drafting Update | 01-17-06 | Rick C. |



| | | | |
|---|---|--|---------------------------|
| UNLESS OTHERWISE SPECIFIED DIMENSIONS ARE IN INCHES TOLERANCES ARE: | | VALUE PLASTICS, INC. | |
| FRACTIONS ± | DECIMALS .XX ±.01 .XXX ±.005 .XXXX ±.001 | ANGULAR ±1° | PART NUMBER: KN |
| DO NOT SCALE DRAWING | | DESCRIPTION: 10-32 UNF Thread Coupler with 1/4" Hex | |
| DRAWN BY: Frank Lombardi | DATE: 11-12-05 | SIZE: B | SCALE: NTS |
| ENGINEER/ MANAGER: Rick Cairns | | DRAWING NUMBER: 1007825 | REV. B |
| © 2005 VALUE PLASTICS, INC. | | | SHEET: 1 OF 1 |

FOR REFERENCE ONLY